



GRPseries

Handling and demolition grapple

GRP Series

Grapple Line:

- 7 models for excavators with operating weight from 1.5 to 31 t.
- Interchangeable blades.
- Fully-protected cylinder.
- 360° Rotating.
- High power levels.
- 3 Models of jaws for any kind of handling use.

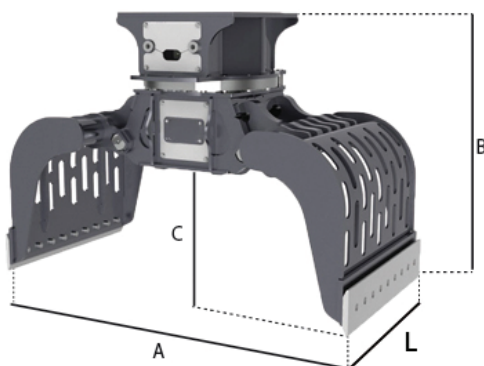
MUSTANGHAMMER.COM

Quard
ABRASION RESISTANT STEEL

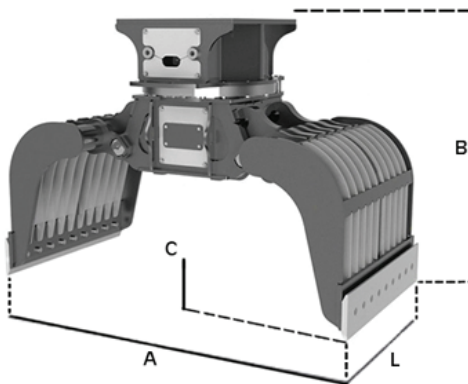


APPLICATIONS

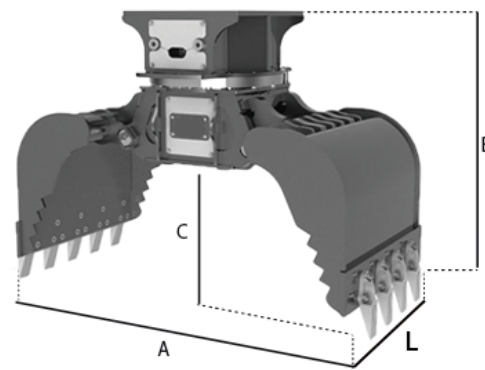
GRP + S JAWS



GRP + D JAWS



GRP + CH JAWS



MODEL		GRP150	GRP250	GRP450	GRP750	GRP1000	GRP1500	GRP2000
A	mm	890	1090	1190	1540	1790	1940	2090
B	mm	340	390	490	690	790	990	1090
C	mm	540	670	840	1140	1440	1540	1640
L	mm	390	490	590	690	870	1010	1190
	kg	140	230	370	690	990	1490	1990
	t	1.5/4	4/7	5/12	7/16	13/19	17/23	22/31
	bar	200	200	200	250	300	300	300
	l/min	15	20	25	45	50	75	90
	bar	70	70	70	70	70	70	70
	l/min	2	2	2	15	30	30	30