

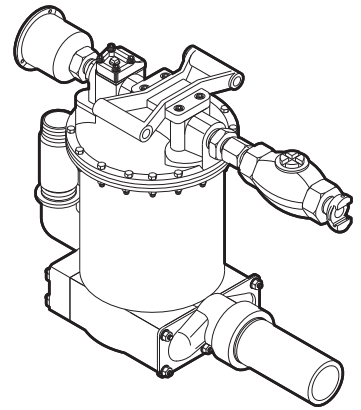


**Chicago
Pneumatic**

Spare parts list

Sludge pumps

CP 0077



Contents

General information	5
Spare parts list	6
Accessories	12
Hose rolls.....	12
Pre-mounted universal hoses with claw couplings.....	12
Water separator.....	13
Lubricator.....	13
CP airolene plus tool oil.....	13

General information

This spare parts list applies to the following:

Part number	Description
T024005	CP 0077 Sludge pump

Use only authorized parts. Any damage or malfunction caused by the use of unauthorized parts is not covered by Warranty or Product Liability. Any unauthorized use or copying of the contents or any part thereof is prohibited. This applies in particular to trademarks, model denominations, part numbers, and drawings.

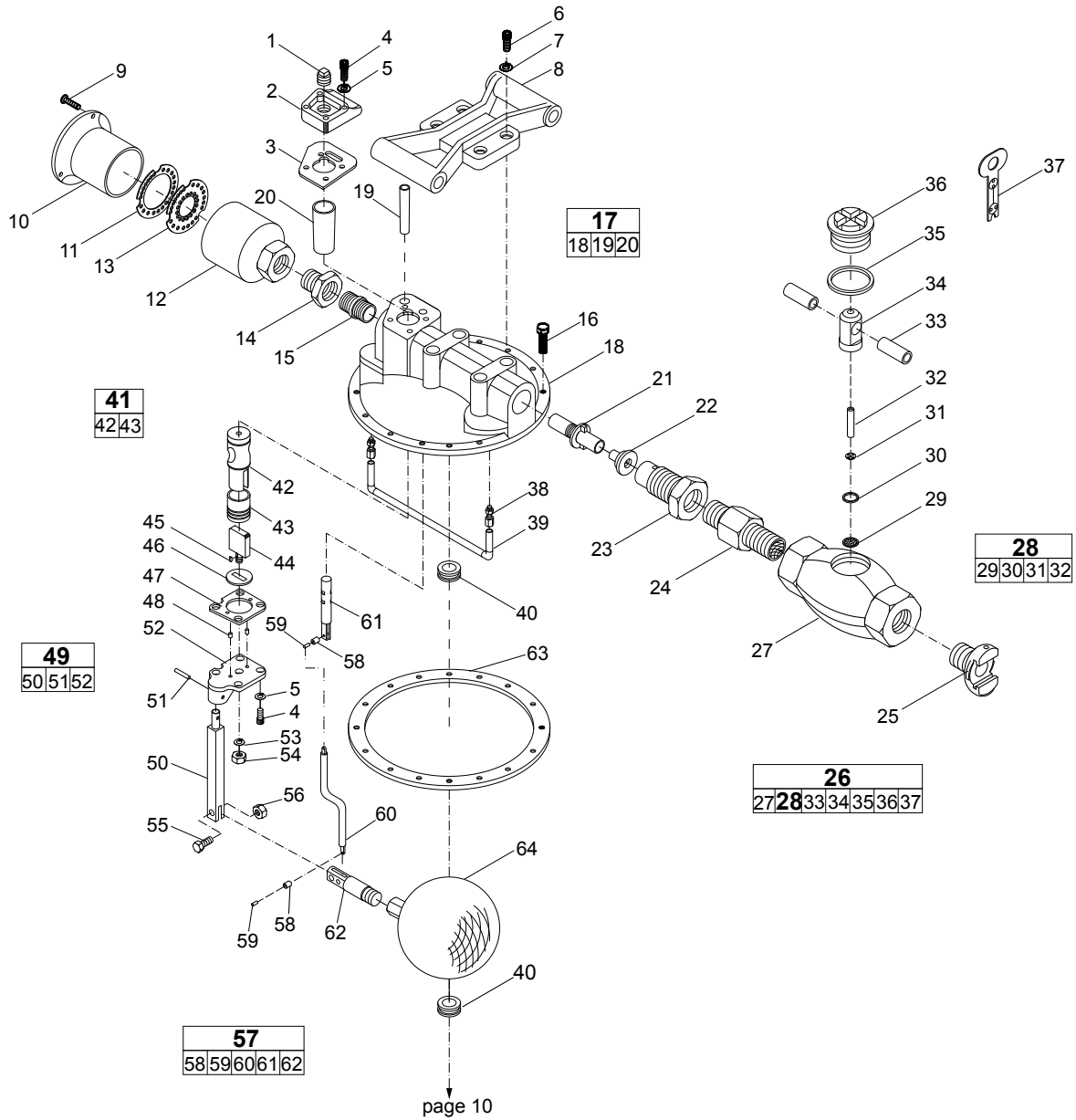
Instructions for use

This spare parts list contains no safety regulations and is merely intended to assist in the ordering of spare parts.

For information about operating, servicing, or repairing, the relevant Safety and operating instructions must be consulted at all costs.

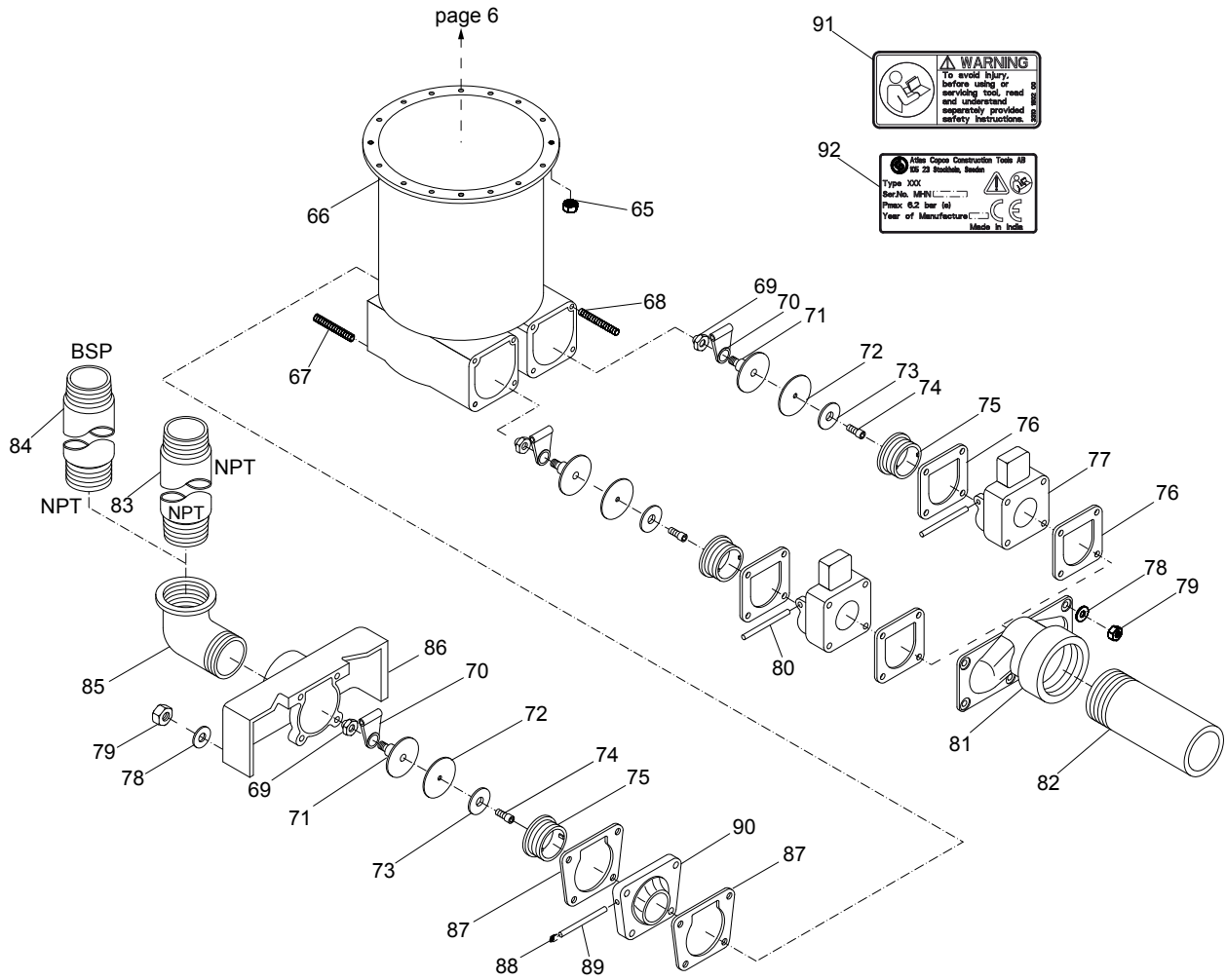
Please observe the safety instructions listed in the relevant Safety and operating instructions!

Spare parts list



No.	Description	Remark	Quantity	Part number
1	Plug		1	P146962
2	Upper cylinder cap		1	C065317
3	Upper cylinder gasket		1	C065345
4	Screw		8	C065380
5	Spring washer		8	C065384
6	Socket head screw		4	P146964
7	Spring washer		4	C011070
8	Grip handle		1	F026750
9	Counter sunk screw		3	P146960
10	Baffle shell		1	C060009
11	Outer plate		1	C060029
12	Muffler shell		1	C060008
13	Inner plate		1	C060024
14	Reducing bushing		1	HC63662
15	Barrel nipple		1	C066209
16	Cap screw		16	P146968
17(18-20)	Top cover, complete		1	C065321
18	Top cover		1	-
19	Control valve bushing		1	-
20	Ejector valve bushing		1	-
21	Ejector tube		1	C065339
22	Ejector nozzle		1	C065341
23	Nozzle pilot plug		1	C065340
24	Nipple		1	F011117
25	Claw coupling		1	P146991
26(27,28,33-37)	Oiler, complete		1	Z9601465
27	Oiler body		1	-
28(29-32)	Rocker and sprayer, complete		1	Z9627465
29	Oil spray gauze		1	-
30	Distance washer		1	-
31	Oil sprayer regulator		1	-
32	Oil sprayer		1	-
33	Rocker pivot		2	F009027
34	Oil sprayer rocker		1	-
35	Cap washer	For oiler body	1	F009031
36	Cap	For oiler body	1	F009030
37	Key	For sprayer	1	F009056
38	Male adaptor		2	P146961
39	Control valve pipe		1	C065343
40	Rubber buffer		2	F027443
41(42-43)	Ejector valve, complete		1	C065347
42	Ejector valve		1	-
43	Ejector valve sleeve		1	-
44	Ejector valve locater		1	C065338
45	Woodruff key		1	S018822
46	Gasket - ejector		1	C065663
47	Lower cylinder gasket		1	C065344
48	Dowel pin		2	S013277

No.	Description	Remark	Quantity	Part number
49(50-52)	Float arm support, complete		1	C065353
50	Float arm support		1	-
51	Pin		1	-
52	Float arm support bracket		1	-
53	Spring washer		1	P146990
54	Nut		1	P146963
55	Bolt		1	C065333
56	Lock nut		1	M050501
57(58-62)	Float arm, complete		1	P146965
58	Lever arm bushing		2	C065330
59	Lever arm pin		2	P146966
60	Lever arm		1	C065356
61	Control valve		1	C065358
62	Float arm		1	-
63	Gasket cover		1	C065060
64	Float		1	C065071



No.	Description	Remark	Quantity	Part number
65	Lock nut		16	M050502
66	Pump body and check valve assembly		1	F026962
67	Stud		4	C065361
68	Stud for inlet - casting		8	F026960
69	Check valve nut		3	C065785
70	Check valve arm		3	C065786
71	Check valve plate		3	F812889
72	Check valve disc		3	F812853
73	Check valve washer		3	F812888
74	Socket head screw		3	P146967
75	Check valve bushing		3	C065315
76	Inlet gasket		4	C065334
77	Check valve seat		2	F026923
78	Washer		12	C035166
79	Nut	Hexagon	12	C036639
80	Hinge pin		2	C065336
81	Inlet manifold		1	F027761
82	Nipple		1	F027762
83	Nipple	NPT-NPT	1	R146385
84	Nipple loose	NPT-BSP	1	R146384
85	Street elbow		1	R146383
86	Outlet casting		1	F026957
87	Outlet - gasket		2	C065342
88	Pipe plug		1	F033376
89	Hinge pin		1	F026961
90	Outlet valve seat		1	F026943
91	Safety label		1	3310 1602 00
92	Data plate		1	-

Accessories

Hose rolls

Metric

Description	Inner diameter (mm)	Thickness (mm)	Maximum working pressure (bar)	Length of roll (m)	Weight (kg)	Part number
Red-X hose roll	19	2.0	20	60	11	8900 0050 10
Red-X hose roll	19	2.0	20	100	18	8900 0050 11
Red-X hose roll	19	2.0	20	200	36	8900 0050 12
Red-X hose roll	25	2.5	20	60	15	8900 0050 20
Red-X hose roll	25	2.5	20	100	25	8900 0050 21
Red-X hose roll	25	2.5	20	200	50	8900 0050 22

Imperial

Description	Inner diameter (in.)	Thickness (in.)	Maximum working pressure (psi)	Length of roll (ft)	Weight (lb)	Part number
Red-X hose roll	$\frac{3}{4}$	$\frac{5}{64}$	290	195	24.3	8900 0050 10
Red-X hose roll	$\frac{3}{4}$	$\frac{5}{64}$	290	325	39.7	8900 0050 11
Red-X hose roll	$\frac{3}{4}$	$\frac{5}{64}$	290	650	79.4	8900 0050 12
Red-X hose roll	1	$\frac{3}{32}$	290	195	33.1	8900 0050 20
Red-X hose roll	1	$\frac{3}{32}$	290	325	55.1	8900 0050 21
Red-X hose roll	1	$\frac{3}{32}$	290	650	110.2	8900 0050 22

Pre-mounted universal hoses with claw couplings

Metric

Description	Inner diameter (mm)	Thickness (mm)	Maximum working pressure (bar)	Length of roll (m)	Weight (kg)	Part number
Red-X universal hose	19	2.0	20	20	4.5	8900 0050 09
Red-X universal hose	25	2.5	20	20	6.0	8900 0050 23

Imperial

Description	Inner diameter (in.)	Thickness (in.)	Maximum working pressure (psi)	Length of roll (ft)	Weight (lb)	Part number
Red-X universal hose	$\frac{3}{4}$	$\frac{5}{64}$	290	50	8.8	8900 0050 08
Red-X universal hose	1	$\frac{3}{32}$	290	50	11.0	8900 0050 24

Water separator

Metric

Description	Hose connection (mm)	Air flow (l/s)	Weight (kg)	Part number
Water separator (¾ in. BSP)	20	61	0.8	8900 0050 00

Imperial

Description	Hose connection (in.)	Air flow (foot ³ /min)	Weight (lb)	Part number
Water separator (¾ in. NPT)	¾	130	1.8	8900 0050 01

Lubricator

Metric

Description	Hose connection (mm)	Air flow (l/s)	Oil volume (l)	Weight (kg)	Part number
Lubricator 1300 (1 in. BSP)	25	15-140	1.3	3	8900 0050 02

Imperial

Description	Hose connection (in.)	Air flow (foot ³ /min)	Oil volume (US gallon)	Weight (lb)	Part number
Lubricator 43 (1 in. NPT)	1	32-300	0.34	6.6	8900 0050 07

CP airolene plus tool oil

Metric

Description	Oil volume (l)	Part number
5 l container	5	8099 0202 49
4 x 5 l container	20	8099 0202 51

Imperial

Description	Oil volume (US gallon)	Part number
1.32 US gallon container	1.32	8099 0202 49
4 x 1.32 US gallon container	5.28	8099 0202 51

