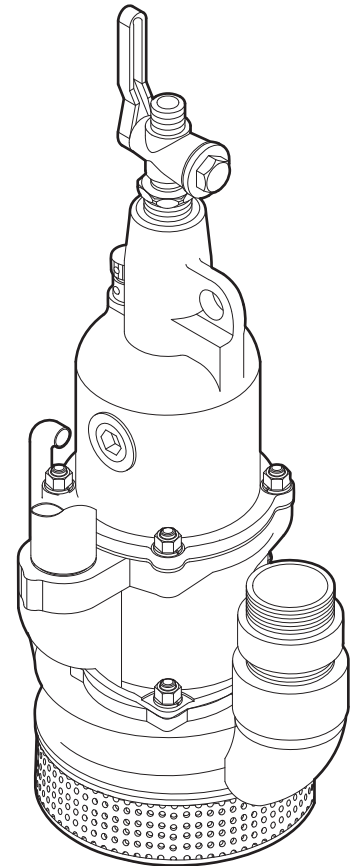




**Chicago
Pneumatic**

Spare parts list

Centrifugal pumps CP 0020



Contents

General information	5
Spare parts list	6
.....	6
Accessories	9
Hose rolls	9
Pre-mounted universal hoses with claw couplings	9
Water separator	10
Lubricator	10
Kits	11
Tune-up kit	11

General information

This spare parts list applies to the following:

Part number	Description
T022185	CP 0020 Centrifugal pump

Use only authorized parts. Any damage or malfunction caused by the use of unauthorized parts is not covered by Warranty or Product Liability. Any unauthorized use or copying of the contents or any part thereof is prohibited. This applies in particular to trademarks, model denominations, part numbers, and drawings.

Instructions for use

This spare parts list contains no safety regulations and is merely intended to assist in the ordering of spare parts.

For information about operating, servicing, or repairing, the relevant Safety and operating instructions must be consulted at all costs.

Please observe the safety instructions listed in the relevant Safety and operating instructions!

No.	Description	Remark	Quantity	Part number
1	Valve	¾ in. male 19.05 mm male	1	R137 313
2	Bushing - air inlet		1	R137 314
3(4-8)	Governor housing, complete		1	C086 466
4	O-ring		1	C084 172
5	Strainer - air		1	C085 374
6	Plug - oil		1	C086 130
7	O-ring		1	P083 082
8	Housing - governor		1	-
9	Spring		1	S017 510
10	O-ring		1	C079 489
11	Valve - oiler		1	C085 378
12	O-ring		1	P083 071
13	Seat - oiler valve		1	C085 379
14	Plug - oiler		1	C085 380
15	Gasket - governor housing		1	C085 363
16	O-ring		1	C085 386
17	Lock wire		1	C056 975
18	Screw		1	C056 974
19	Retainer - governor spring		1	C089 835
20	Spring - governor		1	C085 372
21	Valve - governor		1	C085 370
22	Pin - governor valve		1	C085 371
23	O-ring		2	C085 385
24	Cage - governor		1	C085 368
25	Disc - gage tension		1	C085 369
26	Lock washer		4	S008 020
27	Screw		4	S007 685
28(29-35)	Governor body, complete		1	C086 467
29	Governor body		1	-
30	Nylon insert		1	-
31	Pin - governor push		1	-
32	Weight - governor		2	-
33	Spacer - governor weight		4	-
34	Pin - governor weight		2	-
35	Retainer - pin		1	-
36	Bearing - ball		1	C013 654
37	Plate - upper end	Replacement of this part may require replacement of item no 72.	1	C085 360
38	Spacer - rotor bearing (upper)		1	C085 358
39(40-41)	Rotor, complete		1	Z877 7463
40	Blade - rotor		4	C085 362
41	Rotor		1	-
42	Spacer - rotor bearing (Lower)		1	C085 357
43(44-46)	Shim, complete		1	Z877 8463
44	Shim	0.001 in. 0.03 mm	2	-
45	Shim	0.002 in. 0.05 mm	2	-
46	Shim	0.003 in. 0.08 mm	2	-
47	Pin - dowel		1	C085 355
48	Liner	Replacement of this part may require replacement of item no 72.	1	C085 361
49	Plate	Replacement of this part may require replacement of item no 72.	1	C085 356

No.	Description	Remark	Quantity	Part number
50	O-ring		1	C086 699
51	Bearing - ball		1	C085 382
52	Gasket - seal plate		1	C088 457
53	O-ring		1	C084 173
54	Seal - oil		2	C088 616
55	Plate - seal		1	C088 456
56	Housing - motor		1	C085 348
57	O-ring		1	H083 084
58	Plate - upper wear		1	C088 458
59	Sleeve - impeller		1	C088 455
60	O-ring		1	C084 400
61	Impeller		1	C088 758
62	Plate - lower wear		1	C088 459
63	Housing - impeller		1	C085 341
64	Screen		1	C085 342
65	Handle		1	C085 347
66	Nipple - outlet	Inner: 2½ in. NPT, Outer: 2½ in. BSP	1	R137 581
67	Pipe - exhaust (NPT)		1	C086 080
68	Pipe - exhaust (BSP)		1	R137 580
69	Nut - brass	¾ in. - 16	8	C085 834
70	Lock washer	¾ in. 9.53 mm	8	C035 166
71	Stud	¾ in. - 16 x ¾ in.	8	C061 078
72	Shim		1	C048 412
73	Safety label		1	3310 1602 00
74	Data plate		1	-

Accessories

Hose rolls

Metric

Description	Inner diameter (mm)	Thickness (mm)	Maximum working pressure (bar)	Length of roll (m)	Weight (kg)	Part number
Red-X hose roll	19	2.0	20	60	11	8900 0050 10
Red-X hose roll	19	2.0	20	100	18	8900 0050 11
Red-X hose roll	19	2.0	20	200	36	8900 0050 12
Red-X hose roll	25	2.5	20	60	15	8900 0050 20
Red-X hose roll	25	2.5	20	100	25	8900 0050 21
Red-X hose roll	25	2.5	20	200	50	8900 0050 22

Imperial

Description	Inner diameter (in.)	Thickness (in.)	Maximum working pressure (psi)	Length of roll (ft)	Weight (lb)	Part number
Red-X hose roll	$\frac{3}{4}$	$\frac{5}{64}$	290	195	24.3	8900 0050 10
Red-X hose roll	$\frac{3}{4}$	$\frac{5}{64}$	290	325	39.7	8900 0050 11
Red-X hose roll	$\frac{3}{4}$	$\frac{5}{64}$	290	650	79.4	8900 0050 12
Red-X hose roll	1	$\frac{3}{32}$	290	195	33.1	8900 0050 20
Red-X hose roll	1	$\frac{3}{32}$	290	325	55.1	8900 0050 21
Red-X hose roll	1	$\frac{3}{32}$	290	650	110.2	8900 0050 22

Pre-mounted universal hoses with claw couplings

Metric

Description	Inner diameter (mm)	Thickness (mm)	Maximum working pressure (bar)	Length of roll (m)	Weight (kg)	Part number
Red-X universal hose	19	2.0	20	20	4.5	8900 0050 09
Red-X universal hose	25	2.5	20	20	6.0	8900 0050 23

Description	Air inlet thread (in.)	Weight (kg.)	Part number
Claw coupling	$\frac{3}{8}$ in. BSP	0.1 kg	9000 0300 00

Not suitable for US/Canadian market

Water separator

Metric

Description	Hose connection (mm)	Air flow (l/s)	Weight (kg)	Part number
Water separator, European version (3/4 in. BSP)	20	61	0.8	8900 0050 00

Suitable couplings: 9000 0302 00

Lubricator

Metric

Description	Hose connection (mm)	Air flow (l/s)	Oil volume (l)	Weight (kg)	Part number
Lubricator 1300, European version (1 in. BSP) with 1 in. BSP European type claw couplings pre-mounted	25	15-140	1.3	3	8900 0050 02

Kits

Tune-up kit

It is recommended that Tune-up kit parts are installed each time the pump is disassembled.

Description	Remark	Quantity	Part number
Tune-up kit		1	C101 077
O-ring		1	C079 489
O-ring		1	P083 071
Gasket - governor housing		1	C085 363
O-ring		1	C085 386
O-ring		2	C085 385
Pin - governor push		1	-
Pin - governor weight		2	-
Blade - rotor		4	C085 362
O-ring		1	C086 699
Gasket - seal plate		1	C088 457
O-ring		1	C084 173
Seal - oil		2	C088 616
O-ring		1	H083 084
O-ring		1	C084 400
Shim		2	C048 412

