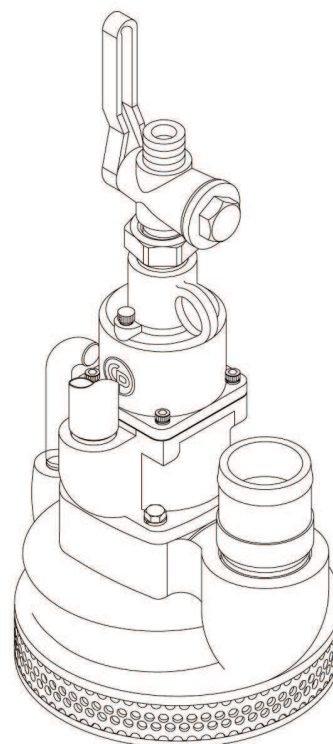


- Ⓒ **GB** Safety and operating instructions
Centrifugal pumps
- Ⓒ **FR** Prescriptions de sécurité et
instructions pour l'opérateur
Pompes centrifuges
- Ⓒ **DE** Sicherheits- und Betriebsanleitung
Kreiselpumpen
- Ⓒ **ES** Instrucciones de seguridad y de
funcionamiento
Bombas centrífugas
- Ⓒ **PT** Instruções de segurança e operação
Bombas centrífugas
- Ⓒ **IT** Istruzioni per la sicurezza e per l'uso
Pompe centrifughe
- Ⓒ **PL** Instrukcje bezpieczeństwa i obsługi
Pompy wirowe



Contents

ENGLISH	4
FRANÇAIS	18
DEUTSCH	34
ESPAÑOL	50
PORTUGUÊS	64
ITALIANO	80
POLSKI	94

ENGLISH

Contents

Introduction 5

About the Safety and operating instructions 5

Safety instructions 6

 Safety signal words 6

 Personal precautions and qualifications 6

 Installation, precautions 6

 Operation, precautions 7

 Maintenance, precautions 8

 Storage, precautions 8

Overview 9

 Design and function 9

 Main parts 9

 Labels 10

Installation 10

 Preparation 10

 Fixed installation 10

 Hoses and connections 10

 Methods to prevent freezing 11

 Lubrication 11

Operation 11

 Preparations before starting 11

 Start and stop 11

 Operating 12

Maintenance 12

 Every day 12

 Periodic maintenance 12

 Tightening torques 13

 Disassembly and assembly cautions 13

Troubleshooting 14

Storage 14

 Preparing the pump for storage 14

Disposal 14

Technical data 15

 Machine data 15

 Noise declaration statement 15

 Noise data 15

EC Declaration of Conformity 16

 EC Declaration of Conformity (EC Directive 2006/42/EC) 16

Introduction

Thank you for choosing Chicago Pneumatic brand products. For over a century, the Chicago Pneumatic brand has represented performance and innovation in the pneumatic tool industry.

Today the brand is found around the world on a range of pneumatic and hydraulic tools that includes breakers, rock drills, chipping hammers, clay-diggers, picks and busters, scabblers, pumps and a whole lot more.

The Chicago Pneumatic brand is associated with powerful and reliable products that are easy to maintain and that give good value for the money.

For more information please visit www.cp.com

Construction Tools PC AB
Box 703
391 27 Kalmar
Sweden

About the Safety and operating instructions

The aim of the instructions is to provide you with knowledge of how to use the pump in an efficient, safe way. The instructions also give you advice and tell you how to perform regular maintenance on the pump.

Before using the pump for the first time you must read these instructions carefully and understand all of them.

Safety instructions

To reduce the risk of serious injury or death to yourself or others, read and understand the Safety and operating instruction before installing, operating, repairing, maintaining, or changing accessories on the machine.

Post this Safety and operating instruction at work locations, provide copies to employees, and make sure that everyone reads the Safety and operating instruction before operating or servicing the machine.

In addition, the operator or the operator's employer must assess the specific risks that may be present as a result of each use of the machine.

Safety signal words

The safety signal words Danger, Warning and Caution have the following meanings:

DANGER	Indicates a hazardous situation which, if not avoided, will result in death or serious injury.
WARNING	Indicates a hazardous situation which, if not avoided, could result in death or serious injury.
CAUTION	Indicates a hazardous situation which, if not avoided, could result in minor or moderate injury.

Personal precautions and qualifications

Only qualified and trained persons may operate or maintain the machine. They must be physically able to handle the bulk, weight, and power of the tool. Always use your common sense and good judgement.

Personal protective equipment

Always use approved protective equipment. Operators and all other persons in the working area must wear protective equipment, including at a minimum:

- > Protective helmet
- > Hearing protection
- > Impact resistant eye protection with side protection
- > Respiratory protection when appropriate
- > Protective gloves
- > Proper protective boots
- > Appropriate work overall or similar clothing (not loose-fitting) that covers your arms and legs.

Drugs, alcohol or medication

▲ **WARNING** Drugs, alcohol or medication

Drugs, alcohol or medication may impair your judgment and powers of concentration. Poor reactions and incorrect assessments can lead to severe accidents or death.

- ▶ Never use the machine when you are tired or under the influence of drugs, alcohol or medication.
- ▶ No person who is under the influence of drugs, alcohol or medication may operate the machine.

Installation, precautions

▲ **DANGER** Whipping air hose

A compressed air hose that comes loose can lash around and cause personal injury or death. To reduce this risk:

- ▶ Check that the compressed air hose and the connections are not damaged, replace if necessary.
- ▶ Check that all compressed air connections are properly attached.
- ▶ Never carry a pneumatic machine by the air hose.
- ▶ Never attempt to disconnect a compressed air hose that is pressurized. First switch off the compressed air at the compressor and then bleed the machine by activating the start and stop device.
- ▶ Do not use quick disconnect couplings at tool inlet. Use hardened steel (or material with comparable shock resistance) threaded hose fittings.
- ▶ Whenever universal twist couplings (claw couplings) are used, we recommend that lock pins are installed and whipcheck safety cables are used to safeguard against possible hose to tool and hose to hose connection failure.
- ▶ Never point a compressed air hose at yourself or anyone else. To avoid the risk of getting injured, never use compressed air to blow for example dust, dirt etc. from your clothes.

▲ WARNING Whipping discharge hose

A discharge hose that comes loose can lash around, and the hose or jets of liquid can hit the operator, and cause personal injury or death. To reduce this risk:

- ▶ Always remove kinks, before the pump is started. If the discharge hose is kinked, it can be forced out of the operator's hands.
- ▶ Always make sure that the discharge hose connections are properly attached.
- ▶ Check that the discharge hose and the connections are not damaged, replace if necessary.
- ▶ Always make sure that the outlet end of the discharge hose is properly secured.

▲ WARNING Fixed installation hazard

The pump is primarily intended for use in temporary (mobile) applications. If the pump is used in a fixed installation, the connections between pump and pipe can come loose and jets of liquid or other particles can hit the operator, and cause personal injury or death.

- ▶ Always use a flexible hose in connections between pump and pipe.
- ▶ Never hang the pump by its hose.

Operation, precautions

▲ DANGER Explosion hazard

If a pump comes into contact with explosives or explosive gases, an explosion could occur. When using certain materials in machine parts, sparks and ignition can occur. Explosions will lead to severe injuries or death.

- ▶ Never operate the machine in any explosive environment.

▲ WARNING Flammable liquid hazard

If flammable liquid is being pumped, the fumes can explode when ignited. This can lead to personal injury or death.

- ▶ Never pump flammable liquids.

▲ WARNING Hot pump

If the discharge outlet is closed when pumping, the pump will become hot. If hot liquid is being pumped, the pump can become hot. Touching a hot pump can lead to burns and personal injury.

- ▶ Never use the pump if the discharge outlet is closed.
- ▶ Avoid touching the pump if hot liquid is being pumped.

▲ DANGER Unprotected impeller

An unprotected impeller can cause serious personal injury

- ▶ Never run the machine without suction strainer and base plate.

▲ WARNING Emergency stop hazard

If an emergency situation occurs while pumping, and the pump is not stopped immediately, personal injury or death can occur.

- ▶ Install an on/off valve on the air supply hose, as close to the pump as possible.
- ▶ Activate the on/off valve if an emergency situation occurs.

▲ WARNING Unexpected movements

When in use, the pump may unexpectedly move. Accessories may break due to fatigue after a certain amount of use. Sudden and unexpected movement can cause injuries. Furthermore, losing your balance or slipping may cause injury.

- ▶ Pay attention not to lose your balance when submerging or taking the pump out of the liquid, use a proper lifting device.
- ▶ Always inspect the equipment prior to use. Never use the equipment if you suspect that it is damaged.
- ▶ Make sure that the pump and its accessories are clean and free of grease and oil.
- ▶ Moving parts may crush and cut, never check bores or passages with hands or fingers.
- ▶ Never strike or abuse the equipment.
- ▶ Check regularly for wear on the accessories, and check whether there are any signs of damage or visible cracks.
- ▶ Pay attention and look at what you are doing.

▲ WARNING Projectiles

During operating, particles or jets of liquid may become projectiles and cause personal injury by striking the operator or other persons. To reduce these risk:

- ▶ Use approved personal protective equipment and safety helmet, including impact resistant eye protection with side protection.
- ▶ Make sure that no unauthorised persons trespass into the working zone.
- ▶ Keep the workplace free from foreign objects.
- ▶ Jets of liquid from the discharge hose could contain solids travelling at a great speed. Do not direct the liquid jets towards other personnel.

▲ WARNING Slipping, tripping and falling hazards

There is a risk of slipping or tripping or falling, for example tripping on the hoses or on other objects. Slipping or tripping or falling can cause injury. To reduce this risk:

- ▶ Always make sure that no hose or other object is in your way or in any other person's way.
- ▶ Always make sure you are in a stable position with your feet as far apart as your shoulders width and keeping a balanced body weight.

▲ DANGER Electrical hazard

The machine is not electrically insulated. If the machine comes into contact with electricity, serious injuries or death may result.

- ▶ Never operate the machine near any electric wire or other source of electricity.
- ▶ Make sure that there are no concealed wires or other sources of electricity in the working area.

▲ WARNING Involuntary start

Involuntary start of the machine may cause injury.

- ▶ Keep your hands away from the start and stop device until you are ready to start the machine.
- ▶ Learn how the machine is switched off in the event of an emergency.
- ▶ Stop the machine immediately in all cases of power supply interruption.

▲ WARNING Noise hazard

High noise levels can cause permanent and disabling hearing loss and other problems such as tinnitus (ringing, buzzing, whistling, or humming in the ears). To reduce risks and prevent an unnecessary increase in noise levels:

- ▶ Risk assessment of these hazards and implementation of appropriate controls is essential.
- ▶ Operate and maintain the machine as recommended in these instructions.
- ▶ Always use hearing protection.

Maintenance, precautions**▲ WARNING Machine modification**

Any machine modification may result in bodily injuries to yourself or others.

- ▶ Never modify the machine. Modified machines are not covered by warranty or product liability.
- ▶ Always use original parts and accessories.
- ▶ Change damaged parts immediately.

- ▶ Replace worn components in good time.

Storage, precautions

- ◆ Keep the machine and tools in a safe place, out of the reach of children and locked up.

Overview

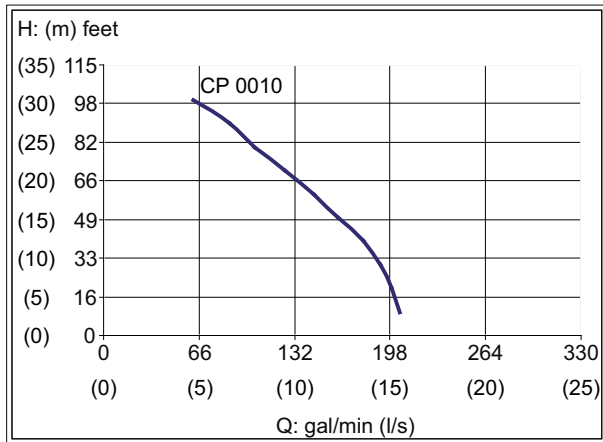
To reduce the risk of serious injury or death to yourself or others, read the Safety instructions section found on the previous pages of this manual before operating the machine.

Design and function

CP 0010 centrifugal pump is intended for pumping relatively clean liquids such as water and coolants. It is not recommended to pump any liquid with a temperature above 212°F (100°C). Do not pump abrasive liquid. No other use is permitted. CP 0010 is adapted to meet different demands in respect of flow and pressure head, see diagram below.

CP 0010 is submersible, which means that it can work fully submersed in the pumped medium. The impeller of CP 0010 is sand cast in aluminium bronze, it is driven by an air motor. The compressed air flows through an air-filter which stops any foreign matter from entering the pump. The integrated oiler provides continuous lubrication.

The diagram is valid at 6 bar (87 psi) and when pumping from base plate level.

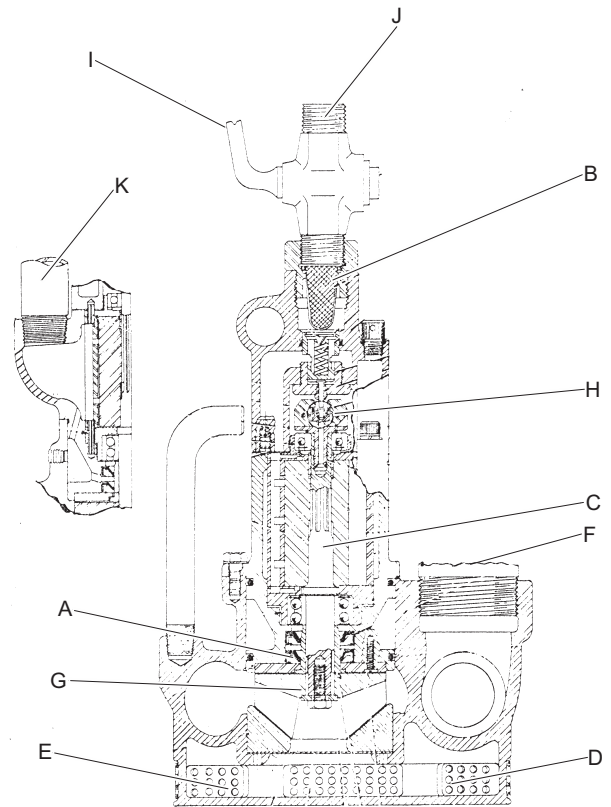


H: Head feet (m)

Q: Flow imp gal/min (l/s)

NOTICE The capacity of the pump will change and the chart above will not be accurate if a lower air pressure than the recommended is used, or if the pumped liquid has a different viscosity than water.

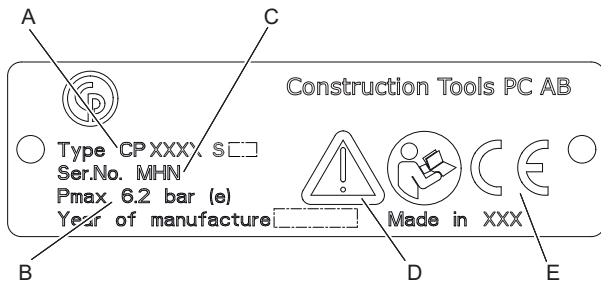
Main parts



- A. Shaft seal
- B. Air filter
- C. Motor
- D. Filter screen
- E. Liquid intake
- F. Discharge outlet
- G. Impeller
- H. Governor
- I. Valve
- J. Air inlet
- K. Air outlet

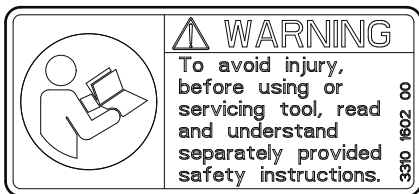
Labels

Data plate



- A. Machine type
- B. Maximum permitted compressed air pressure
- C. Serial number
- D. The warning symbol together with the book symbol means that the user must read the safety and operating instructions before the machine is used for the first time.
- E. The CE symbol means that the machine is EC-approved. See the EC declaration which is delivered with the machine for more information. If the CE symbol is missing, it means that the machine is not EC-approved.

Safety label



To avoid injury, before using or servicing tool, read and understand separately provided safety instructions.

Installation

Preparation

Always make sure that the pump stands stable on a level surface.

Depending on the conditions at the worksite, the pump can be installed in different ways.

If the exhaust-air outlet is located above the surface of the liquid:

- ◆ The pump can be started directly.

If the pump is submersed into the pumped medium:

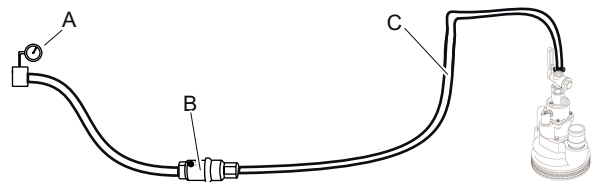
- ◆ Start the pump before submersing it into the liquid.
- ◆ If an exhaust hose is fitted to the exhaust-air outlet, the pump can be submersed and then started.

NOTICE The pump must not be started or stopped underwater unless the exhaust air outlet is fitted with a hose.

Fixed installation

The pump is primarily intended for use in temporary (mobile) applications. If the pump is used in a fixed installation, make sure that the connections between pump and pipe are made with a flexible hose.

Hoses and connections



- A. Compressed air source
 - B. Water separator (optional)
 - C. Max. 10 feet (3 meter) compressed air hose between the water separator and the machine.
- ◆ Check that you are using the correct recommended operating pressure, 87 psig (6 bar).
 - ◆ The maximum permissible air pressure, 90 psig (6,2 bar), must not be exceeded.
 - ◆ Blow any impurities out of the compressed air hose before connecting it to the machine.
 - ◆ Choose a suitable hose size from the options available and connect it to the water outlet on the pump. For maximum flow with the CP pumps, a 3 in. (76 mm) hose is recommended.
 - ◆ Select the correct dimension and length for the compressed air hose. For hose lengths up to 100 feet (30 meters), a hose with a minimum internal diameter of 3/4 in. (19 mm) should be used. If the hose length is between 100 and 330 feet (30 and 100 meters), a hose with a minimum internal diameter of 1 in. (25 mm) should be used.

Methods to prevent freezing

Ice formation in the air motor can occur when the ambient air temperature is 32-50 °F (0–10°C) and the relative humidity is high.

Take the following action to further counteract the risk of ice formation:

- ◆ Use a water separator.

Lubrication

For problem-free operation, continuous lubrication of the air motor is required. Before using and after each eight hours service, remove oil plug and fill reservoir with recommended oil, see below.

Lubricant	Temperature range °F (°C)	Viscosity grade
Air tool oil	≤100 (≤38)	100-150 SUS (ISO VG 22-32)
Air tool oil	>100 (>38)	200-300 SUS (ISO VG 46-48)

Grease

Use a high quality bearing grease recommended for use in ball bearings.

NOTICE Automotive water pump grease is designed for use with hot water and is too hard for use in a pump operating in cold liquids.

Oiler adjustment

The oiler valve is factory set to deliver approximately six ounces (180 g) of oil in each eight hours service. Check the lubrication by holding a piece of clean paper in front of air exhaust while operating pump. After about five seconds traces of oil should appear on the paper.

If readjustment is necessary, proceed as follows:

- 1) Remove oil plug and drain all oil out of the reservoir.
- 2) Unscrew and remove the four nuts with lock washers holding governor housing to motor housing and remove governor housing.
- 3) Use 1/8 in. Allen Wrench to turn orifice plug (set screw with drilled hole). Turn clockwise to reduce flow. Counter clockwise to increase flow.
- 4) Reassemble, refill and check the lubrication as described above.

NOTICE Do not restrict flow entirely as lack of lubrication will result in rapid pump failure.

Operation

▲ WARNING Involuntary start

Involuntary start of the machine may cause injury.

- ▶ Keep your hands away from the start and stop device until you are ready to start the machine.
- ▶ Learn how the machine is switched off in the event of an emergency.
- ▶ Stop the machine immediately in all cases of power supply interruption.

▲ WARNING Flammable liquid hazard

If flammable liquid is being pumped, the fumes can explode when ignited. This can lead to personal injury or death.

- ▶ Never pump flammable liquids.

Preparations before starting

- > Blow the compressed air hose clean before connecting it to the pump.
- > If the pump has not been in use for a longer period of time, pour approximately 1 3/4 oz (5 cl) of oil directly into the air intake of the pump. This will ensure good lubrication right from the start.
- > Check that the compressed air is free of water and other impurities. Dry air is particularly important when using a muffler, because a muffler increases the risk of ice formation.

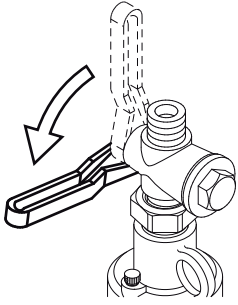
Start and stop

▲ WARNING Whipping discharge hose

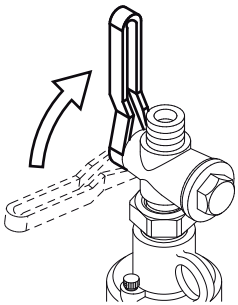
A discharge hose that comes loose can lash around, and the hose or jets of liquid can hit the operator, and cause personal injury or death. To reduce this risk:

- ▶ Always remove kinks, before the pump is started. If the discharge hose is kinked, it can be forced out of the operator's hands.
- ▶ Always make sure that the discharge hose connections are properly attached.
- ▶ Check that the discharge hose and the connections are not damaged, replace if necessary.
- ▶ Always make sure that the outlet end of the discharge hose is properly secured.

Start and stop



Start the pump by connecting it to the power source and turning the start and stop device.



Stop the pump by turning the start and stop device and disconnecting it from the power source.

Operating

- > The following must be done at the start of every shift:
 - > Fill the reservoir with recommended oil.
 - > Check that the oil dosage functions, by holding a piece of clean paper in front of the exhaust air outlet. After about five seconds traces of oil should appear on the paper. Adjust the oil dosage if necessary; see section "Oiler adjustment".
- > Allowing liquid to freeze inside the pump can cause damage to the pump.
- > Do not run the pump dry for longer periods, doing so will cause damage to the seals.
- > If the pump has been used in corrosive or polluted water, it must be operated in clean water for a few minutes after use.

Maintenance

Regular maintenance is a basic requirement for the continued safe and efficient use of the machine. Follow the maintenance instructions carefully.

- ◆ Use only authorised parts. Any damage or malfunction caused by the use of unauthorised parts is not covered by warranty or product liability.
- ◆ When cleaning mechanical parts with solvent, comply with appropriate health and safety regulations and ensure there is satisfactory ventilation.
- ◆ For major service to the machine, contact your nearest authorised workshop.

Every day

Before undertaking any maintenance on the pump, always switch off the air supply. Then disconnect the air hose from the machine.

- ◆ Clean and inspect the machine and its functions each day before the work commences.
- ◆ Conduct a general inspection for leaks and damage.
- ◆ Check that the air inlet nipple is tightened and that the claw coupling is free from damage.
- ◆ Change damaged parts immediately.
- ◆ Replace damaged and worn components in good time.
- ◆ Make sure that all the attached and related equipment, such as hoses, water separators, and lubricators are properly maintained.

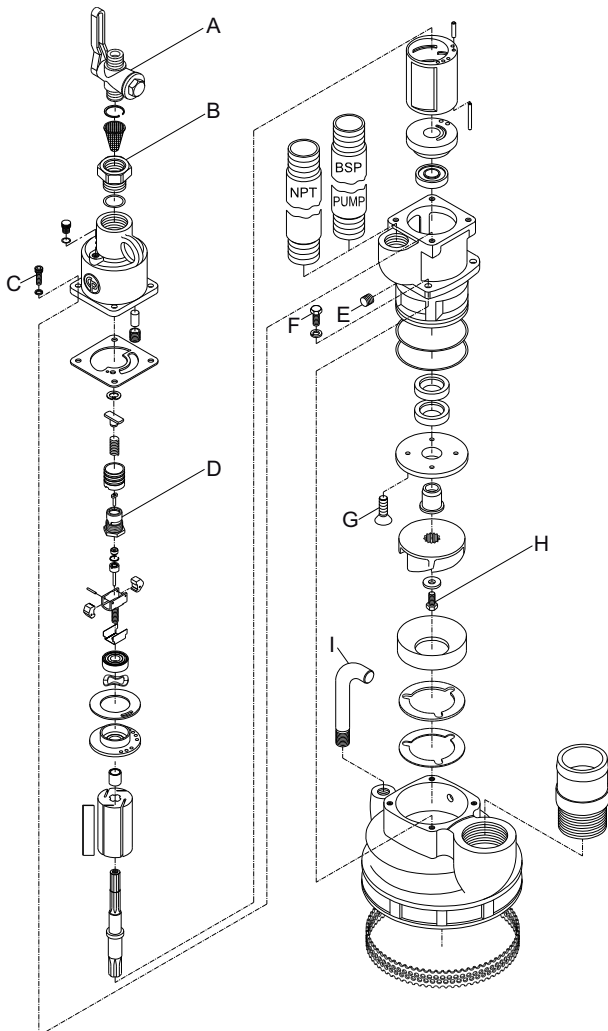
Periodic maintenance

Since each application differs, the frequency and extent of maintenance is best established based upon past performance. Keeping detailed maintenance records of past performance, aids determining future preventative maintenance intervals.

Periodic maintenance				
Check point	Check concerns	Time interval, pump hour		
		Every 8th	Every 40th	Every 400th
Hoses and connections	Leakage, damage	X		
Inlet filter	Clogging, damage		X	
Threaded unions	Tightness		X	
Pump, complete	-			X
Oiler	Oil level, function	X		
*Grease cavity	Grease level		X	

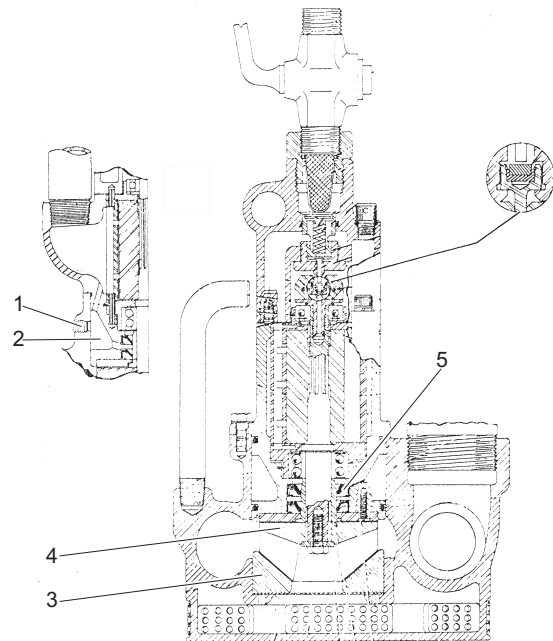
*See section "Disassembly and assembly cautions"
In the event of breakdown or worsening pump performance, establish the cause and rectify the fault. Ideally, repairs should be carried out in a workshop.

Tightening torques



- A. Valve, 40-54 Nm
- B. Air inlet bushing, 162-190 Nm
- C. Screw, 11-14 Nm
- D. Cage - Governor, 40-54 Nm
- E. Plug, 13-19 Nm
- F. Screw cap, 140-150 Nm
- G. Screw, 70-80 Nm
- H. Bolt, 19-22 Nm
- I. Handle, 40-54 Nm

Disassembly and assembly cautions



- ◆ Whenever pump is disassembled, clean out ball bearings and clean old grease from all other parts. Using recommended grease, repack bearings, coat governor parts, and coat all parts between lower end plate and impeller.

Remove pipe plug (1) in pump housing and fill grease cavity (2) with recommended grease. Do not fit a grease nipple, doing so will pressurize the cavity and damage the seals.

NOTICE Automotive water pump grease is designed for use with hot water and is too hard for use in pump operating in cold liquids.

- ◆ When replacing new shaft seals, the inner seal must seat against shoulder of motor housing; the outer seal must press flush with motor housing. If the shaft seals are replaced due to leakage, the impeller sleeve (5) must be replaced as well.
- ◆ When reassembling the pump, there should be a clearance of 0.007 in. to 0.012 in. (0.18 to 0.30 mm) between angular faces of the lower wear plate (3) and the impeller (4). If the clearance exceeds 0.012 in. (0.30 mm), add the appropriate thickness of shims under the lower wear plate. Insure that the shims slots are aligned with the three knockout holes in the pump housing.
- ◆ When assembling motor into motor housing, the upper end plate must protrude above the motor housing between 0.001 in. and 0.003 in. (0.03 to 0.08 mm). If not, add shims as required.

- ◆ Coat the rotor shaft splines, with a good grade molybdenum disulphide (MoS₂) grease.
- ◆ The governor body is fitted to the rotor by a left-hand thread.

Troubleshooting

Loss of power and motor failure may be caused by conditions outside the Pump. Check for:

- ◆ Low air pressure at the Pump. 90 psi (6.2 bar) air pressure is required at the Pump, with motor running wide open.
- ◆ Lowered compressor output.
- ◆ Excessive drain on supply line.
- ◆ Use of hose or connections of insufficient size.

If the above conditions are found to be in order, check in sequence the following:

- 1) Air strainer: remove, clean and replace.
- 2) Motor lubrication: Fill oil reservoir, disconnect hose and pour a small amount of recommended oil in live air inlet. Check oil in exhaust air as outlined, see oiler adjustment.
- 3) Impeller: Grit may be lodged under impeller or between impeller and wear ring, stalling Pump.

To correct:

Raise pump just out of water permitting water in discharge hose to flush back through pump which may dislodge particles.

If still not working, disassemble and inspect the pump. See section "Disassembly and assembly cautions".

- 4) Icing: Icing in the exhaust chamber and pipe is caused by entry of moisture in the motor or exhaust chamber. Check air inlet and exhaust connections for water tightness. Be sure end of exhaust pipe or hose is well above water.

Storage

Preparing the pump for storage

- > After use it is important to flush out the pump using a clean, neutral liquid. This is particularly important if it has been used to pump acid, saline liquids or other severely polluted or aggressive liquids.
- > When the pump is to be stored for 24 hours or more, the air motor should be lubricated to protect it from corrosion.
- > Pour approximately 1 dl of anti-corrosion oil directly into the air intake of the pump. Connect the pump to the compressed air line, and run it for a couple of seconds. It should be run at a very low speed, in order to distribute the anti-corrosion oil inside the air motor.
- > After lubricating with an anti-corrosion oil, the air intake must be plugged.
- > When a pump that has been in storage is to be put back to use, pour a little oil directly into the air intake before starting the pump.

Disposal

A used machine must be treated and disposed of in such a way that the greatest possible portion of the material can be recycled and any negative influence on the environment is kept as low as possible, and in respect to local restrictions.

Technical data

Machine data

Type	Weight lb (kg)	Height in. (mm)	Length in. (mm)	Width in. (mm)	Air consumption (6 bar) cfm (l/s)
CP 0010	33 (15)	17½ (445)	8¼ (210)	9 (229)	100 (47)

Type	Discharge inlet	Discharge outlet in.	Air inlet in. (mm)	Air outlet in. (mm)
CP 0010	-	2	¾, NPT (20)	1, NPT (25)

Noise declaration statement

Guaranteed sound power level **L_w** according to EN ISO 3744 in accordance with directive 2000/14/EC.

Sound pressure level **L_p** according to EN ISO 11203.

These declared values were obtained by laboratory type testing in accordance with the stated directive or standards and are suitable for comparison with the declared values of other tools tested in accordance with the same directive or standards. These declared values are not suitable for use in risk assessments and values measured in individual work places may be higher. The actual exposure values and risk of harm experienced by an individual user are unique and depend upon the way the user works, in what material the machine is used, as well as upon the exposure time and the physical condition of the user, and the condition of the machine.

We, Construction Tools PC AB, cannot be held liable for the consequences of using the declared values, instead of values reflecting the actual exposure, in an individual risk assessment in a work place situation over which we have no control.

Noise data

Type	Noise	
	Declared values	
	Sound pressure	Sound power
	EN ISO 11203	2000/14/EC
	L_p r=1m dB(A) rel 20µPa	L_w guaranteed dB(A) rel 1pW
CP 0010	109	122

EC Declaration of Conformity

EC Declaration of Conformity (EC Directive 2006/42/EC)

We, Construction Tools PC AB, hereby declare that the machines listed below conform to the provisions of EC Directive 2006/42/EC (Machinery Directive), and the harmonised standards mentioned below.

Centrifugal pumps	Guaranteed sound power level [dB(A)]	Measured sound power level [dB(A)]	Pmax (bar)
CP 0010	122	120	6.2

Following harmonised standards were applied:

- ◆ EN 809:1998

Following other standards were applied:

- ◆ 2000/14/EC, Appendix V

Technical Documentation authorised representative:

Per Forsberg
Construction Tools PC AB
Dragonvägen 2
Kalmar

Vice president Design and Development:

Erik Sigfridsson

Manufacturer:

Construction Tools PC AB
Box 703
391 27 Kalmar
Sweden

Place and date:

Kalmar, 2014-12-09

FRANÇAIS

Sommaire

Introduction	19
À propos des prescriptions de sécurité et des instructions pour l'opérateur	19
Consignes de sécurité	20
Indications de sécurité	20
Précautions et qualifications du personnel	20
Installation, précautions	20
Fonctionnement, précautions	21
Maintenance, précautions	23
Stockage, précautions	23
Vue d'ensemble	24
Conception et fonctionnement	24
Principales pièces	24
Étiquettes	25
Installation	25
Préparation	25
Installation stationnaire	25
Flexibles et connexions	25
Mesures de prévention du gel	26
Lubrification	26
Commande	26
Opérations à effectuer avant la mise en service	26
Marche/arrêt	27
Utilisation	27
Maintenance	27
Chaque jour	27
Maintenance périodique	28
Couples de serrage	28
Mises en garde lors de démontage et de montage	29
Recherche de pannes	29
Stockage	30
Préparation de la pompe pour son entreposage	30
Destruction d'une machine usagée	30
Caractéristiques techniques	31
Caractéristiques de la machine	31
Énoncé déclaratif sur le bruit	31
Données acoustiques	31
Déclaration CE de conformité	32
Déclaration CE de conformité (Directive 2006/42/CE)	32

Introduction

Nous vous remercions d'avoir choisi un produit Chicago Pneumatic. Depuis plus d'un siècle, la marque Chicago Pneumatic est synonyme de performance et d'innovation dans le secteur des outils pneumatiques.

Aujourd'hui, la société offre une vaste gamme d'outils pneumatiques et hydrauliques comprenant brise-béton, trépan, marteaux burineurs, marteaux-bêches, pioches et défricheuses, bouchardeuses, pompes et bien d'autres outils.

La marque Chicago Pneumatic est associée avec des produits puissants et fiables, faciles à entretenir et ayant un bon rapport qualité-prix.

Pour plus d'informations, veuillez consulter le site Web www.cp.com

Construction Tools PC AB
Box 703
391 27 Kalmar
Sweden

À propos des prescriptions de sécurité et des instructions pour l'opérateur

Ces instructions ont pour objectifs de vous apprendre à utiliser la pompe de manière efficace et en toute sécurité. Les instructions vous donnent également des conseils et vous indiquent comment effectuer la maintenance de routine de la pompe.

Vous devez lire ces instructions attentivement et les comprendre avant d'utiliser la pompe pour la première fois.

Consignes de sécurité

Il convient de lire et d'assimiler les Prescriptions de sécurité et des instructions pour l'opérateur avant toute installation, utilisation, réparation, entretien ou remplacement d'accessoire sur la machine, afin de minimiser le risque de blessures graves ou de dommages pouvant entraîner la mort.

Affichez les Prescriptions de sécurité et instructions pour l'opérateur sur les différents sites de travail ; faites en des copies pour les employés et assurez-vous que chaque personne concernée a bien lu les Prescriptions de sécurité et instructions pour l'opérateur, avant d'utiliser ou d'intervenir sur la machine.

En outre, l'opérateur ou l'employeur doit évaluer les risques spécifiques pouvant survenir à la suite de chaque utilisation de la machine.

Indications de sécurité

Les indications de sécurité Danger, Attention et Prudence ont les sens suivants :

DANGER	Indique une situation dangereuse qui, si elle n'est pas évitée, terminera par provoquer la mort ou des blessures graves.
AVERTISSEMENT	Indique une situation dangereuse qui, si elle n'est pas évitée, est de susceptible de provoquer la mort ou des blessures graves.
ATTENTION	Indique une situation dangereuse qui, si elle n'est pas évitée, est de susceptible de provoquer des blessures mineures à modérées.

Précautions et qualifications du personnel

Seules des personnes qualifiées ou formées peuvent utiliser ou procéder à l'entretien de la machine. Elles doivent être physiquement aptes à manipuler le volume, le poids et la puissance de l'outil. Utilisez toujours votre jugement et votre bon sens.

Équipement de protection du personnel

Utilisez toujours un équipement de protection individuelle homologué. Les opérateurs et toutes autres personnes séjournant sur la zone de travail doivent porter un équipement de protection individuelle, incluant au minimum :

- > Casque de protection
- > Protections auditives
- > Protecteurs des yeux résistants aux chocs avec protection latérale
- > Appareil de protection respiratoire, le cas échéant
- > Gants de protection
- > Bottes de protection adaptées
- > Salopette de travail appropriée ou vêtement similaire (serré) qui recouvre les bras et les jambes.

Drogues, alcool ou médicaments

▲ AVERTISSEMENT Drogues, alcool ou médicaments

Les drogues, l'alcool ou les médicaments risquent d'avoir un effet négatif sur votre jugement et votre capacité de concentration. De mauvaises réactions et des évaluations incorrectes peuvent entraîner des accidents graves, voire la mort.

- ▶ N'utilisez jamais la machine lorsque vous êtes fatigué(e) ou sous l'influence de drogues, de l'alcool ou de médicaments.
- ▶ L'utilisation de la machine par une personne sous l'influence de drogues, de l'alcool ou de médicaments est strictement interdite.

Installation, précautions

▲ DANGER Coup de fouet d'un flexible pneumatique

Un flexible d'air comprimé qui se détache risque de fouetter dans tous les sens et de provoquer des dommages corporels ou la mort. Pour réduire ce risque :

- ▶ Vérifiez que le flexible d'air comprimé et les raccords ne sont pas endommagés. Les remplacer si nécessaire.
- ▶ Vérifiez que les raccords d'air comprimé sont correctement fixés.
- ▶ Ne jamais porter une machine pneumatique par le flexible d'air.
- ▶ Ne jamais essayer de débrancher un flexible d'air comprimé sous pression. D'abord, coupez l'alimentation en air comprimé au niveau du compresseur, puis purgez la machine en activant le dispositif de marche/arrêt.

- ▶ N'utilisez pas de raccords rapides à l'entrée de l'outil. Utilisez des raccords filetés en acier trempé (ou un matériau présentant une résistance aux chocs comparable).
- ▶ Chaque fois que des raccords universels (raccords à griffes) sont utilisés, nous recommandons de monter des goupilles de verrouillage et d'utiliser des câbles de sécurité pour tuyaux flexibles, afin d'empêcher tout relâchement d'un accouplement flexible - outil et tuyau - tuyau.
- ▶ Ne jamais pointer un flexible d'air comprimé sur quelqu'un ou sur soi. Afin d'éviter tout risque de blessure, ne jamais utiliser l'air comprimé pour nettoyer la poussière, les salissures, etc., sur vos vêtements.

▲ AVERTISSEMENT Risque de coup de fouet incontrôlé

Un flexible d'évacuation qui se détache risque de fouetter dans tous les sens et de provoquer des dommages corporels, voire la mort. Pour réduire ce risque :

- ▶ Éliminez tous les enchevêtrements, avant le début du pompage. Si le flexible d'évacuation est enchevêtré, il risque d'échapper à l'opérateur sous l'effet de la pression.
- ▶ Assurez-vous toujours que les raccords de flexible d'évacuation sont correctement fixés.
- ▶ Vérifiez que le flexible d'évacuation et les raccords ne sont pas endommagés. Les remplacer si nécessaire.
- ▶ Vérifiez toujours que l'extrémité de sortie du flexible d'évacuation est correctement fixée.

▲ AVERTISSEMENT Risques liés à une installation stationnaire

La pompe est principalement destinée à des applications temporaires (mobiles). Si la pompe est utilisée dans une installation stationnaire, les raccordements entre la pompe et la canalisation peuvent se détacher et des jets de liquide ou d'autres particules ou un peuvent être projetés et provoquer des blessures en heurtant l'opérateur ou d'autres personnes.

- ▶ Toujours utiliser un tuyau flexible pour les raccordements entre la pompe et la canalisation.
- ▶ Ne jamais suspendre la pompe à l'aide de son flexible.

Fonctionnement, précautions

▲ DANGER Danger d'explosion

Si une pompe entre en contact avec un explosif ou avec des gaz explosifs, cela pourrait provoquer une explosion. Lors d'utilisation de certains matériaux dans les pièces de la machine, des étincelles susceptibles d'enflammer des gaz peuvent provoquer des explosions. Les explosions peuvent provoquer des dommages corporels voire la mort.

- ▶ Ne jamais utiliser la machine dans un environnement explosif quelconque.

▲ AVERTISSEMENT Risques liés aux liquides inflammables

En cas de pompage d'un liquide inflammable, les gaz peuvent explosés lorsqu'ils sont enflammés. Cela peut entraîner des blessures ou la mort.

- ▶ Ne jamais pomper des liquides inflammables.

▲ AVERTISSEMENT Pompe chaude

Si l'orifice de refoulement est fermé durant le pompage, la pompe chauffe. Si du liquide chaud est pompé, la pompe peut devenir chaude. Toucher une pompe chaude peut entraîner des brûlures et des blessures corporelles.

- ▶ Ne jamais utiliser la pompe si l'orifice de refoulement est fermé.
- ▶ Éviter de toucher la pompe si du liquide chaud est pompé.

▲ DANGER Roue à aubes non protégée

Une roue à aubes non protégée peut provoquer des blessures graves

- ▶ Ne faites jamais fonctionner la machine sans crépine d'aspiration et plaque de base.

▲ AVERTISSEMENT Arrêt d'urgence en cas de danger

Si une situation d'urgence survient durant le pompage et que la pompe n'est pas arrêtée immédiatement, il existe un risque de lésions corporelles ou de mort.

- ▶ Montez une vanne tout ou rien sur le tuyau d'alimentation en air, le plus près possible de la pompe.
- ▶ Actionnez la vanne tout ou rien en cas d'urgence.

▲ AVERTISSEMENT Mouvements inopinés

En cours de fonctionnement, la pompe peut se déplacer de manière imprévisible. Les accessoires peuvent se rompre à cause de la fatigue après un certain temps d'utilisation. Des mouvements soudains et imprévus peuvent entraîner des blessures. En outre, les pertes d'équilibre ou les glissades peuvent provoquer des blessures.

- ▶ Faites attention de ne pas perdre l'équilibre lorsque vous immergez ou retirez la pompe du liquide : utilisez un dispositif de levage approprié.
- ▶ Vérifiez toujours l'équipement avant de l'utiliser. Évitez d'utiliser l'équipement s'il vous semble endommagé.
- ▶ Assurez-vous que les poignées sont toujours bien propres, sans graisse ni huile.
- ▶ Les pièces mobiles peuvent pincer ou couper. Ne contrôlez jamais les orifices ou les canaux avec les mains ou les doigts.
- ▶ Ne maltraitez jamais l'équipement.
- ▶ Examinez régulièrement l'usure des accessoires et contrôlez la présence éventuelle de signes de détérioration ou de fissures visibles.
- ▶ Soyez vigilant et concentrez-vous sur ce que vous faites.

▲ AVERTISSEMENT Projectiles

Durant le fonctionnement, des particules peuvent être projetés et provoquer des blessures en heurtant l'opérateur ou d'autres personnes. Pour réduire ces risques :

- ▶ Utilisez des équipements de protection personnelle et un casque de sécurité approuvés, y compris une protection oculaire résistante avec protection latérale.
- ▶ Assurez-vous qu'aucune personne non autorisée ne pénètre dans la zone de travail.
- ▶ Maintenir le lieu de travail propre et exempt de corps étrangers.
- ▶ Les jets de liquide provenant du flexible d'évacuation peut contenir des solides projetés à une très grande vitesse. Ne jamais orienter les jets de liquide vers d'autres personnes.

▲ AVERTISSEMENT Risques de glissades, de trébuchements et de chute

Il existe des risques de glissades, de trébuchements et de chute, par exemple sur des flexibles ou d'autres objets. Une glissade, un trébuchement ou une chute peut provoquer des blessures. Pour réduire ce risque :

- ▶ Toujours s'assurer qu'aucun flexible ou autre objet ne risque, d'une manière ou d'une autre, de gêner le passage d'une personne.
- ▶ Assurez-vous de toujours adopter une position stable, les pieds dans le prolongement de vos épaules et votre poids bien réparti sur les deux jambes.

▲ DANGER Dangers électriques

La machine n'est pas isolée électriquement. Tout contact de la machine avec de l'électricité risque de provoquer des blessures graves ou la mort.

- ▶ N'utilisez jamais la machine près d'un câble électrique ou d'une autre source d'électricité.
- ▶ Assurez-vous de l'absence de câbles enfouis ou d'autres sources d'électricité dans la zone de travail.

▲ AVERTISSEMENT Démarrage accidentel

Le démarrage accidentel de la machine peut provoquer des blessures.

- ▶ Gardez les mains bien éloignées du dispositif de marche/arrêt jusqu'au moment de démarrer la machine.
- ▶ Apprenez à éteindre la machine en cas d'urgence.
- ▶ Arrêtez immédiatement la machine en cas de coupure d'énergie quelconque.

▲ AVERTISSEMENT Danger lié au bruit

Des niveaux de bruit élevés peuvent provoquer une perte d'audition permanente et d'autres problèmes tels que l'acouphène (sonnerie, grondement, sifflement ou bourdonnement dans les oreilles). Afin de réduire les risques et d'éviter une augmentation inutile des niveaux de bruit :

- ▶ L'évaluation des risques de ces dangers et de mise en œuvre de mesures de contrôle appropriées est essentielle.
- ▶ Exploiter et entretenir la machine comme cela est recommandé dans ces instructions.
- ▶ Toujours utiliser des protections auditives.

Maintenance, précautions

▲ AVERTISSEMENT Modifications sur la machine

Toute modification sur la machine peut provoquer des blessures physiques à vous-même ou aux autres.

- ▶ Ne jamais modifier la machine. Toute machine modifiée n'est pas couverte par la garantie ou la responsabilité produits.
- ▶ Utilisez toujours des pièces et des accessoires d'origine.
- ▶ Remplacez immédiatement les pièces endommagées.
- ▶ Remplacez les éléments ou pièces usés sans attendre.

Stockage, précautions

- ◆ Conservez la machine et les outils bien verrouillés, dans un endroit sûr, hors de la portée des enfants.

Vue d'ensemble

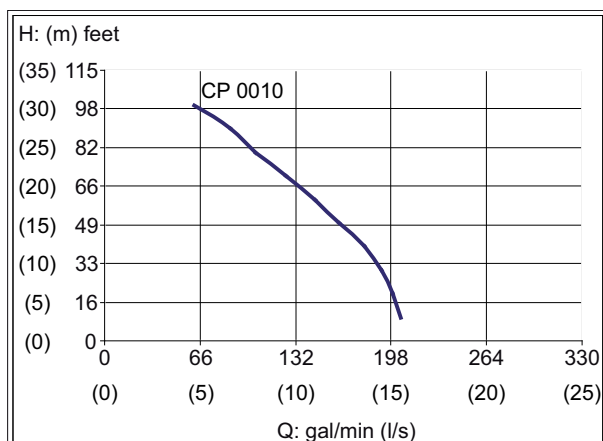
Il convient de lire et d'assimiler les Prescriptions de sécurité et des instructions pour l'opérateur avant toute installation, utilisation, réparation, entretien ou remplacement d'accessoire sur la machine, afin de minimiser le risque de blessures graves ou de dommages pouvant entraîner la mort.

Conception et fonctionnement

La pompe centrifuge CP 0010 est destinée au pompage de liquides relativement propres, comme l'eau et les liquides de refroidissement. Il n'est pas recommandé de pomper de liquide ayant une température supérieure à 212°F (100°C). Ne pas pomper les liquides abrasifs. Toute autre utilisation est interdite. La pompe CP 0010 est adaptée pour répondre aux différentes exigences en termes de débit et de hauteur de charge, voir le schéma ci-dessous.

La pompe CP 0010 est immergée, ce qui signifie qu'elle peut fonctionner totalement immergée dans le liquide pompé. La roue à aubes de la pompe PC 0010 est en bronze et aluminium moulés au sable ; elle est entraînée par un moteur pneumatique. L'air comprimé s'écoule à travers un filtre à air qui empêche toute matière étrangère de pénétrer dans la pompe. Le graisseur intégré assure une lubrification continue.

Le schéma s'applique pour une pression de 6 bar (87 psi) et lors du pompage à partir du niveau de la plaque de base.

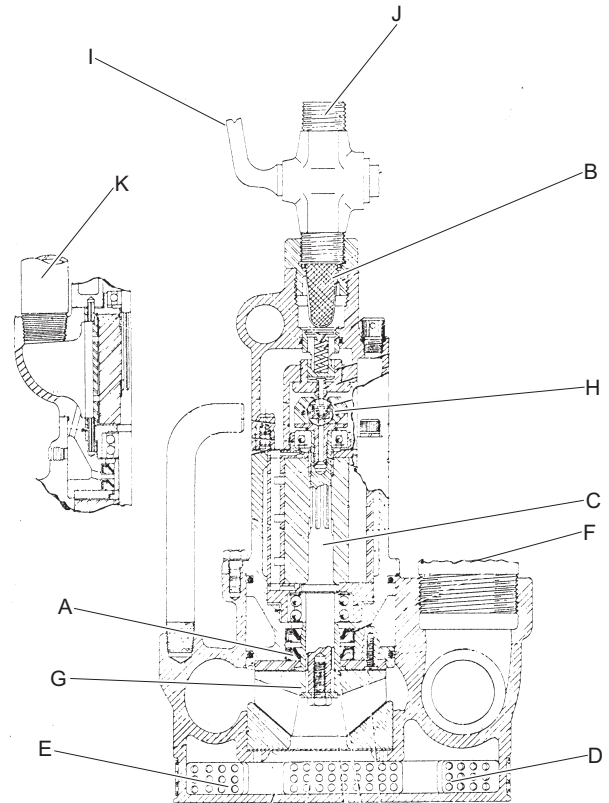


H : Hauteur de charge feet (m)

Q : Débit roue gal/min (l/s)

AVIS Si une pression d'air inférieure à celle recommandée est utilisée, ou si le liquide pompé présente une viscosité différente de celle de l'eau, la capacité de la pompe sera modifiée et le graphique ci-dessus ne sera pas précis.

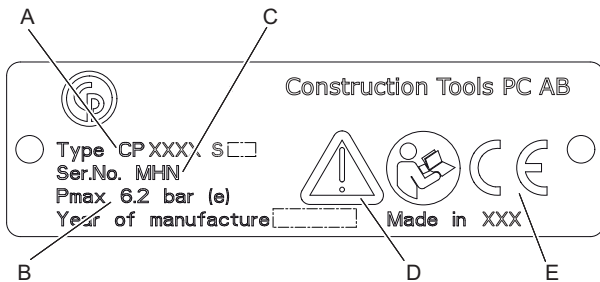
Principales pièces



- A. Étanchéité d'arbre
- B. Filtre à air
- C. Moteur
- D. Filtre à tamis
- E. Arrivée liquide
- F. Sortie refoulement
- G. Roue à aubes
- H. Régulateur
- I. Vanne
- J. Entrée d'air
- K. Sortie d'air

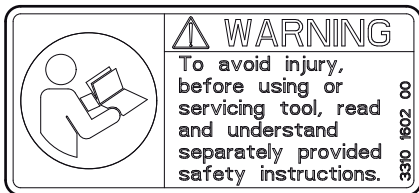
Étiquettes

Plaque signalétique



- A. Type de machine
- B. Pression d'air comprimé maximale autorisée
- C. Numéro de série
- D. Le symbole « Attention » accompagné du symbole du livre signifie que l'utilisateur doit lire les « Prescriptions de sécurité et instructions pour l'opérateur » avant la première utilisation de la machine.
- E. Le symbole CE indique la conformité de la machine avec les directives applicables. Pour plus d'informations, consultez la déclaration CE de conformité fournie avec la machine. L'absence du symbole CE indique que la machine n'est pas conforme aux directives applicables.

Étiquette de sécurité



Lire et comprendre les consignes de sécurité fournies séparément avant d'utiliser l'outil ou d'effectuer son entretien, afin d'éviter tout risque de blessures.

Installation

Préparation

Toujours s'assurer que la pompe est placée de manière stable sur une surface plane.

En fonction des conditions sur le chantier, la pompe peut être installée de différentes façons.

Si la sortie d'air d'évacuation se trouve au dessus de la surface du liquide :

- ◆ La pompe peut être démarrée directement.

Si la pompe est immergée dans le liquide pompé :

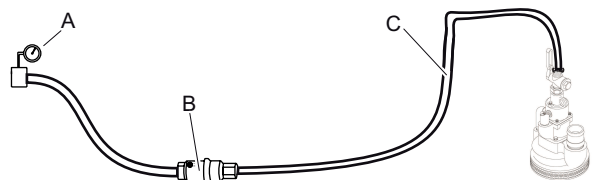
- ◆ Démarrer la pompe avant son immersion dans le liquide.
- ◆ Si un flexible d'évacuation est monté sur la sortie d'air d'évacuation, la pompe peut être immergée puis démarrée.

AVIS La pompe ne doit pas être démarrée ou arrêtée sous l'eau à moins que la sortie d'air d'évacuation soit équipée d'un tuyau.

Installation stationnaire

La pompe est principalement destinée à des applications temporaires (mobiles). Si la pompe est utilisée dans une installation stationnaire, veuillez à utiliser un tuyau flexible pour les raccordements entre la pompe et la canalisation.

Flexibles et connexions



- A. Source d'air comprimé
 - B. Séparateur d'eau (en option)
 - C. 10 feet (3 m) maximum de flexible d'air comprimé entre le séparateur d'eau et la machine.
- ◆ Vérifiez que vous utilisez la bonne pression de fonctionnement recommandée, 87 psig (6 bar).
 - ◆ Ne dépassez pas la pression d'air maximale autorisée pour la machine, 90 psig (6,2 bar).
 - ◆ Éliminez toute impureté du flexible d'air comprimé avant de le brancher à la machine.
 - ◆ Choisissez une taille de flexible appropriée parmi les options disponibles et connectez ce dernier à la sortie d'eau de la pompe. Sur les pompes CP, un flexible de 3 in. (76 mm) est recommandé pour un débit maximum.
 - ◆ Sélectionnez un flexible d'air comprimé possédant une dimension et une longueur correctes. Pour les longueurs de flexible allant jusqu'à 100 feet (30 mètres), il faut utiliser un flexible de diamètre intérieur minimal de 3/4 in. (19 mm). Si la longueur de flexible est de 100 à 330 feet (30 à 100 mètres), il faut utiliser un flexible de diamètre intérieur minimal de 1 in. (25 mm).

Mesures de prévention du gel

Le givrage peut se produire dans le moteur pneumatique lorsque la température ambiante est de 0-10°C (32-50°F) et que l'humidité relative est élevée.

L'action suivante est mise en oeuvre pour éviter le risque de formation de givre :

- ◆ Utilisez un séparateur d'eau.

Lubrification

La lubrification continue du moteur pneumatique est essentielle pour assurer un fonctionnement sans problème. Avant l'utilisation et après chaque service de huit heures, retirez le bouchon d'huile et remplissez le réservoir avec de l'huile recommandée, voir ci-dessous.

Lubrifiant	Plage de température °F (°C)	Grade de viscosité
Huile pour outil pneumatique	≤100 (≤38)	100-150 SUS (ISO VG 22-32)
Huile pour outil pneumatique	>100 (>38)	200-300 SUS (ISO VG 46-48)

Graisse

Utilisez une graisse pour roulements de haute qualité, recommandée pour une utilisation dans des roulements à billes.

AVIS La graisse pour pompe à eau automobile est conçue pour être utilisée avec de l'eau chaude et elle est trop dure pour une utilisation dans une pompe fonctionnant dans un liquide froid.

Réglage du graisseur

La vanne du graisseur est réglée en usine pour fournir environ six onces (180 g) d'huile durant chaque service de huit heures. Vérifiez la lubrification en tenant un morceau de papier propre devant la sortie d'évacuation d'air lorsque la pompe fonctionne. Après environ cinq secondes, des traces d'huile doivent apparaître sur le papier.

Si un réajustement est nécessaire, procédez comme suit :

- 1) Retirez le bouchon d'huile et vidangez toute l'huile du réservoir.
- 2) Dévissez et retirez les quatre écrous et les rondelles de verrouillage maintenant le boîtier de régulateur sur le carter du moteur et déposez le boîtier de régulateur.
- 3) À l'aide d'une clé Allen de 1/8 in., tournez le bouchon d'orifice (jeu de vis avec trou foré). Tournez dans le sens horaire pour réduire le débit. Tournez dans le sens anti-horaire pour augmenter le débit.
- 4) Remontez, faites l'appoint et vérifiez la lubrification tel que décrit ci-dessus.

AVIS Ne pas bloquer le débit complètement, du fait que l'absence de lubrification engendre une panne rapide de la pompe.

Commande

▲ AVERTISSEMENT Démarrage accidentel

Le démarrage accidentel de la machine peut provoquer des blessures.

- ▶ Gardez les mains bien éloignées du dispositif de marche/arrêt jusqu'au moment de démarrer la machine.
- ▶ Apprenez à éteindre la machine en cas d'urgence.
- ▶ Arrêtez immédiatement la machine en cas de coupure d'énergie quelconque.

▲ AVERTISSEMENT Risques liés aux liquides inflammables

En cas de pompage d'un liquide inflammable, les gaz peuvent explosés lorsqu'ils sont enflammés. Cela peut entraîner des blessures ou la mort.

- ▶ Ne jamais pomper des liquides inflammables.

Opérations à effectuer avant la mise en service

- > Éliminez toute impureté dans le flexible d'air comprimé avant de le brancher à la pompe.
- > Si la pompe est restée utilisée durant une période prolongée, versez environ 1 3/4 oz (5 cl) d'huile directement dans l'admission d'air de la pompe. Cela assurera une lubrification appropriée dès le départ.
- > Vérifiez que l'air comprimé est exempt d'eau et autres impuretés. Un air sec est particulièrement important lors de l'utilisation d'un silencieux, du fait qu'un silencieux augmente le risque de formation de glace.

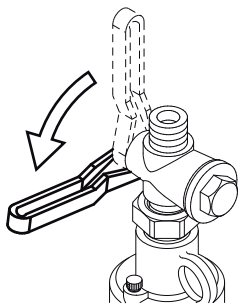
Marche/arrêt

▲ AVERTISSEMENT Risque de coup de fouet incontrôlé

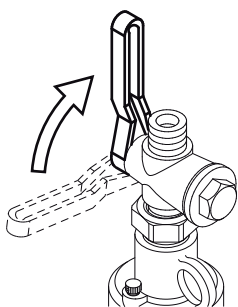
Un flexible d'évacuation qui se détache risque de fouetter dans tous les sens et de provoquer des dommages corporels, voire la mort. Pour réduire ce risque :

- ▶ Éliminez tous les enchevêtrements, avant le début du pompage. Si le flexible d'évacuation est enchevêtré, il risque d'échapper à l'opérateur sous l'effet de la pression.
- ▶ Assurez-vous toujours que les raccords de flexible d'évacuation sont correctement fixés.
- ▶ Vérifiez que le flexible d'évacuation et les raccords ne sont pas endommagés. Les remplacer si nécessaire.
- ▶ Vérifiez toujours que l'extrémité de sortie du flexible d'évacuation est correctement fixée.

Démarrage et arrêt



Démarrez la pompe en la connectant à la source d'alimentation et en actionnant le dispositif de marche/arrêt.



Arrêtez la pompe en actionnant le dispositif de marche/arrêt et en déconnectant la source d'alimentation.

Utilisation

- > Ce qui suit doit être fait au début de chaque session de travail :
 - > Remplissez le réservoir avec de l'huile recommandée.
 - > Vérifiez que le dosage d'huile fonctionne, en tenant un morceau de papier propre devant la sortie d'air d'évacuation. Après environ cinq secondes, des traces d'huile doivent apparaître sur le papier. Ajustez le dosage d'huile si nécessaire, voir la section « Réglage du graisseur ».
- > Ne jamais laisser du liquide geler à l'intérieur de la pompe : risques de dommages de l'unité.
- > Ne laissez pas la pompe tourner à sec durant des périodes prolongées, pour éviter d'endommager les joints.
- > Si la pompe a fonctionné dans de l'eau corrosive ou polluée, elle doit être utilisée dans de l'eau propre pendant quelques minutes après son utilisation.

Maintenance

Une maintenance régulière est une condition fondamentale pour que la machine reste un outil sûr et efficace. Respectez soigneusement les instructions d'entretien.

- ◆ N'utilisez que des pièces de rechange autorisées. Aucun dommage ou mauvais fonctionnement dû à l'utilisation de pièces non autorisées n'est couvert par la garantie ou la responsabilité produits.
- ◆ Lors du nettoyage des pièces mécaniques avec un solvant, assurez-vous que vous respectez bien les normes de sécurité et de santé et que la ventilation est suffisante.
- ◆ Pour un entretien plus complet de la machine, contactez l'atelier homologué le plus proche.

Chaque jour

Coupez toujours l'arrivée d'air avant toute intervention d'entretien sur la pompe. Débranchez ensuite le flexible d'air de la machine.

- ◆ Nettoyez et inspectez la machine et ses fonctionnalités chaque jour, avant son utilisation.
- ◆ Effectuez une inspection générale des fuites et dommages.
- ◆ Vérifiez que l'embout de prise d'air est bien serré et que le raccord décaleur n'est pas endommagé.
- ◆ Remplacez immédiatement les pièces endommagées.
- ◆ Ne tardez pas à remplacer les composants abîmés et usés.
- ◆ Assurez-vous que tous les équipements auxiliaires ou connexes, comme les flexibles, les séparateurs d'eau et les graisseurs, sont correctement entretenus.

Maintenance périodique

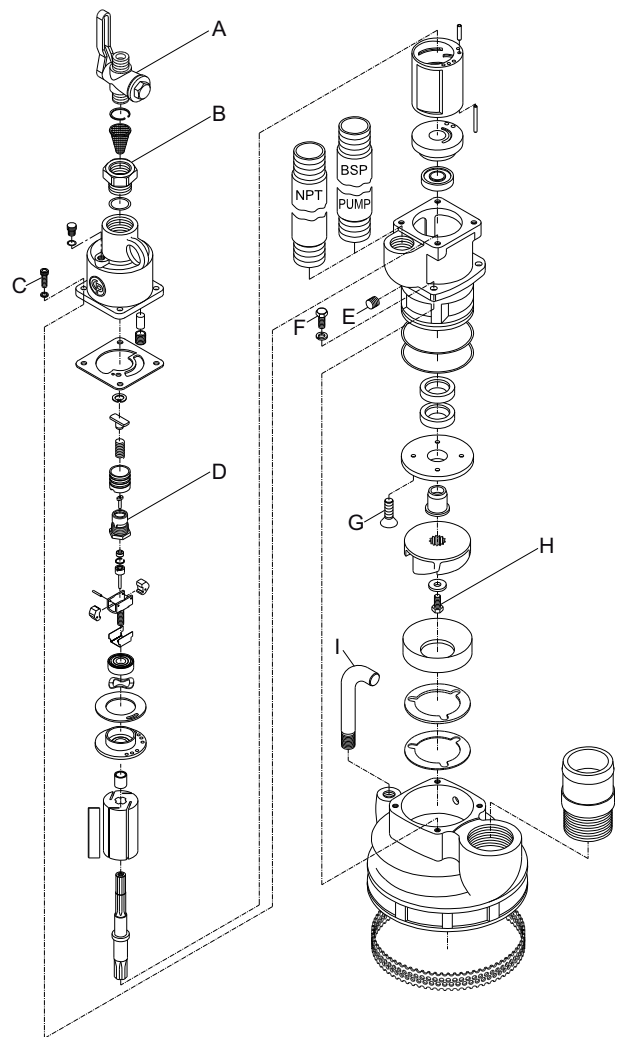
Étant donné que chaque application est différente, la meilleure manière de déterminer la fréquence et l'étendue de l'entretien consiste à se baser sur les performances passées. La tenue de registres d'entretien détaillés des performances précédentes aide à déterminer les futurs intervalles d'entretien préventif.

Maintenance périodique		Intervalle de temps, heure/pompe		
Composant	Problème	Toutes les 8 h	Toutes les 40 h	Toutes les 400 h
Flexibles et connexions	Fuite, dommage	X		
Filtre d'admission	Blocage, dommage		X	
Raccords filetés	Étanchéité		X	
Pompe, complète	-			X
Lubrificateur	Niveau d'huile, fonctionnement	X		
*Graisse dans cavité	Niveau de graisse		X	

*Voir la section « Mises en garde lors de démontage et de montage »

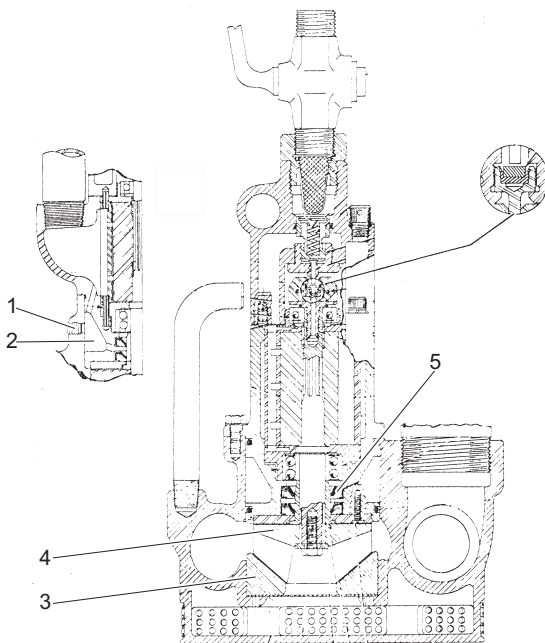
En cas de panne ou de dégradation des performances de la pompe, établir la cause et corriger le problème. Les réparations doivent être de préférence effectuées dans un atelier.

Couples de serrage



- A. Soupape, 40-54 Nm
- B. Douille entrée d'air, 162-190 Nm
- C. Vis, 11-14 Nm
- D. Cage - régulateur, 40-54 Nm
- E. Bouchon, 13-19 Nm
- F. Capuchon vissé, 140-150 Nm
- G. Vis, 70-80 Nm
- H. Boulon, 19-22 Nm
- I. Poignée, 40-54 Nm

Mises en garde lors de démontage et de montage



- ◆ Chaque fois que la pompe est démontée, nettoyez les roulements à billes et essuyez les traces de graisse anciennes sur toutes les autres pièces. Avec de la graisse recommandée, remontez les roulements, enduisez les composants du régulateur et enduisez de graisse toutes les pièces la plaque d'extrémité inférieure et la roue à aubes. Enlevez le bouchon du tuyau (1) dans le corps de pompe et remplissez de graisse la cavité (2) avec de la graisse recommandée. N'utilisez pas un raccord de graissage, cela risquerait de mettre sous pression la cavité et d'endommager les joints.

AVIS La graisse pour pompe à eau automobile est conçue pour être utilisée avec de l'eau chaude ; elle est trop dure pour une utilisation dans une pompe fonctionnant dans un liquide froid.

- ◆ Lors du remplacement de joints d'arbre par des neufs, le joint intérieur doit se placer contre l'épaulement du carter du moteur ; le joint extérieur doit s'appuyer au ras du carter du moteur. Si les joints d'arbre sont remplacés en raison de fuites, le manchon de roue à aubes (5) doit aussi être remplacé.

- ◆ Lors du remontage de la pompe, il doit y avoir un jeu de 0,007 in. à 0,012 in. (0,18 à 0,30 mm) entre les faces angulaires de la plaque d'usure inférieure (3) et la roue à aubes (4). Si le jeu dépasse 0,012 in. (0,30 mm), ajoutez l'épaisseur appropriée des cales sous la plaque d'usure inférieure. Assurez-vous que les rainures des cales sont alignées avec les trois trous défonçables dans le corps de la pompe.
- ◆ Lors du montage du moteur dans le carter du moteur, la plaque d'extrémité supérieure doit faire saillie au-dessus du corps du moteur entre 0,001 et 0,003 in. (0,03 à 0,08 mm). Sinon, ajoutez des cales selon les besoins.
- ◆ Enduire les cannelures de l'arbre du rotor avec une graisse au disulfure de molybdène (MoS_2) de bonne qualité.
- ◆ Le boîtier du régulateur est monté sur le rotor par un filetage à gauche.

Recherche de pannes

Une perte de puissance et une panne moteur peuvent être d'origine extérieure à la pompe. Vérifiez :

- ◆ Basse pression d'air à la pompe. 90 psi (6,2 bar) de pression d'air sont requis à la pompe, avec un moteur tournant à pleins gaz.
- ◆ Sortie du compresseur réduite.
- ◆ Décharge excessive sur la conduite d'alimentation.
- ◆ Utilisation de flexible ou de connexions de dimension insuffisante.

Si les conditions ci-dessus se trouvent être en ordre, vérifiez les séquences dans les points suivants :

- 1) Filtre à air : déposer, nettoyer et remplacer.
- 2) Lubrification du moteur : remplir le réservoir d'huile, débrancher le tuyau et verser une petite quantité d'huile recommandée directement dans l'entrée d'air. Vérifier la présence d'huile dans l'air d'échappement, comme indiqué, voir Réglage du graisseur.
- 3) Roue à aubes : des impuretés se sont peut-être déposées sous la roue ou entre la roue et la bague d'usure avec pour résultat un calage de la pompe.

Mesures correctives :

Sortir la pompe de l'eau juste assez pour permettre à l'eau contenue dans le tuyau de refoulement de retourner en force à travers la pompe et éventuellement déloger les particules.

Si le problème persiste, démonter et examiner la pompe. Voir la section « Mises en garde lors de démontage et de montage »

- 4) Givrage : Le risque de gel dans la chambre et le tuyau d'évacuation provient de la pénétration d'humidité dans le moteur ou la chambre d'évacuation. Vérifier l'étanchéité de l'entrée d'air et des raccords d'évacuation. S'assurer que de l'extrémité du tuyau d'évacuation ou du flexible se trouve bien au-dessus de l'eau.

- > Lorsqu'une pompe entreposée est remise en service, versez un peu d'huile directement dans la prise d'air avant le démarrage de la pompe.

Destruction d'une machine usagée

Toute machine usagée doit être traitée et détruite de telle manière que la plus grande partie des matériaux puisse être recyclée et que tout impact négatif sur l'environnement soit aussi faible que possible, et conformément aux réglementations locales.

Stockage

Préparation de la pompe pour son entreposage

- > Après utilisation, il est important de rincer la pompe en utilisant un liquide propre et neutre. Cela est particulièrement important si elle a été utilisée pour pomper des liquides salins acides ou d'autres liquides fortement chargés ou agressifs.
- > Si la pompe doit être entreposée pendant 24 heures ou plus, lubrifiez le moteur pneumatique afin de le protéger de la corrosion.
- > Versez environ 1 dl d'huile anti-corrosion, directement dans la prise d'air de la pompe. Reliez la pompe à la ligne d'air comprimé et laissez-la fonctionner pendant quelques secondes. Maintenez une vitesse très faible, afin de pouvoir répartir l'huile anti-corrosion à l'intérieur du moteur pneumatique.
- > Après lubrification avec une huile anti-corrosion, l'entrée d'air devra être bouchée.

Caractéristiques techniques

Caractéristiques de la machine

Type	Poids lb (kg)	Hauteur in. (mm)	Longueur in. (mm)	Largeur in. (mm)	Consommation d'air (6 bar) cfm (l/s)
CP 0010	33 (15)	17½ (445)	8¼ (210)	9 (229)	100 (47)

Type	Entrée refoulement	Sortie refoulement in.	Entrée d'air in. (mm)	Sortie d'air in. (mm)
CP 0010	-	2	¾, NPT (20)	1, NPT (25)

Énoncé déclaratif sur le bruit

Niveau de puissance acoustique garanti **L_w** selon la norme EN ISO 3744 conformément à la directive 2000/14/CE.

Niveau de pression acoustique **L_p** selon la norme EN ISO 11203.

Ces valeurs déclarées ont été obtenues à l'issue de tests de type effectués en laboratoire conformément à la directive ou aux normes énoncées et peuvent être comparées aux valeurs déclarées pour d'autres outils testés conformément aux mêmes directives ou normes. Ces valeurs déclarées ne sont pas appropriées pour l'utilisation dans les évaluations de risques et les valeurs mesurées dans différents lieux de travail peuvent être plus élevées. Les valeurs d'exposition et le risque de blessure pour un utilisateur particulier sont uniques et dépendent de la façon dont il travaille, du matériel sur lequel la machine est utilisée, ainsi que de la durée d'exposition, de l'état physique de l'utilisateur et de l'état de la machine.

Construction Tools PC AB, ne peut être tenu pour responsable des conséquences d'une utilisation des valeurs déclarées à la place des valeurs correspondant à l'exposition réelle, dans le cadre d'une évaluation des risques sur un lieu de travail dont nous ne maîtrisons aucun élément.

Données acoustiques

Type	Bruit	
	Valeurs déclarées	
	Pression acoustique	Puissance acoustique
	EN ISO 11203	2000/14/CE
	L_p r=1m dB(A) rel 20µPa	L_w garanti dB(A) rel 1pW
CP 0010	109	122

Déclaration CE de conformité

Déclaration CE de conformité (Directive 2006/42/CE)

Nous, Construction Tools PC AB, déclarons par la présente que les machines énumérées ci-dessous sont conformes aux dispositions de la directive européenne 2006/42/CE (directive « Machines ») et 2000/14/CE (directive « Bruit »), et des normes harmonisées mentionnées ci-dessous.

Pompes centrifuges	Niveau de puissance acoustique garanti [dB(A)]	Niveau de puissance acoustique mesuré [dB(A)]	Pmax (bar)
CP 0010	122	120	6.2

Les normes harmonisées suivantes ont été appliquées :

- ◆ EN 809:1998

Les autres normes suivantes ont été appliquées:

- ◆ 2000/14/EC, Appendix V

Représentant agréé de la documentation technique :

Per Forsberg
Construction Tools PC AB
Dragonvägen 2
Kalmar

Vice-président Conception et Développement :

Erik Sigfridsson

Fabricant :

Construction Tools PC AB
Box 703
391 27 Kalmar
Sweden

Lieu et date :

Kalmar, 2012-06-30

DEUTSCH

Inhalt

Einleitung	35
Informationen zu den Sicherheitshinweisen und zur Betriebsanleitung	35
Sicherheitshinweise	36
Sicherheits-Signalworte.....	36
Personliche Vorsichtsmaßnahmen und Qualifikationen.....	36
Installation, Vorsichtsmaßnahmen.....	36
Betrieb, Vorsichtsmaßnahmen.....	37
Wartung, Vorsichtsmaßnahmen.....	39
Lagerung, Vorsichtsmaßnahmen.....	39
Übersicht	40
Konstruktion und Funktion.....	40
Hauptkomponenten.....	40
Etiketten.....	41
Installation	41
Vorbereitung.....	41
Feste Installation.....	41
Schläuche und Anschlüsse.....	41
Methoden zur Vermeidung von Einfrieren.....	42
Schmierung.....	42
Betrieb	42
Vorbereitungen vor der Inbetriebnahme.....	42
Start und Stopp.....	43
Betrieb.....	43
Wartung	43
Täglich.....	43
Regelmäßige Wartung.....	44
Anziehdrehmomente.....	44
Sicherheitshinweise für Demontage und Montage.....	45
Fehlersuche	45
Lagerung	46
Vorbereitung der Pumpe für die Lagerung.....	46
Entsorgung	46
Technische Daten	47
Maschinendaten.....	47
Erklärung zur Geräuschemission.....	47
Angaben zur Geräuschemission.....	47
EG-Konformitätserklärung	48
EG-Konformitätserklärung (EG-Richtlinie 2006/42/EG).....	48

Einleitung

Wir danken Ihnen für die Wahl eines Produkts von Chicago Pneumatic. In der Druckluftwerkzeug-Industrie steht die Marke Chicago Pneumatic seit über 100 Jahren für Leistung und Innovation.

Heute bietet das Unternehmen weltweit eine breite Palette pneumatischer und hydraulischer Werkzeuge. Dazu gehören Aufbrechhämmer, Bohrhämmer, Meißelhämmer, Grabhämmer, Abbauhämmer und Niethämmer, Spitzhämmer, Pumpen und vieles mehr.

Die Marke Chicago Pneumatic garantiert stets leistungsfähige, leicht zu bedienende und zuverlässige Produkte mit einem hervorragenden Preis-Leistungs-Verhältnis.

Weitere Informationen erhalten Sie auf unserer Website: www.cp.com

Construction Tools PC AB
Box 703
391 27 Kalmar
Sweden

Informationen zu den Sicherheitshinweisen und zur Betriebsanleitung

Ziel dieser Anleitung ist es, Sie mit der sicheren und effizienten Bedienung der Pumpe vertraut zu machen. Die Anleitung enthält auch Hinweise zur Durchführung regelmäßiger Wartungsarbeiten an der Pumpe.

Lesen Sie bitte diese Anleitung vor der ersten Benutzung der Pumpe genau durch.

Sicherheitshinweise

Lesen Sie bitte vor Installation, Betrieb, Reparatur und Wartung der Maschine bzw. vor dem Wechsel von Zubehör die Sicherheitshinweise und die Betriebsanleitung sorgfältig durch, um Unfallrisiken, die mit ernsthaften Verletzungen oder Lebensgefahr verbunden sein können, zu vermeiden.

Schlagen Sie diese Sicherheitshinweise und Betriebsanleitung am Arbeitsplatz an. Verteilen Sie Kopien an die Mitarbeiter. Stellen Sie sicher, dass jeder Mitarbeiter vor dem Betrieb der Maschine oder vor Wartungsarbeiten diese Sicherheitshinweise und Betriebsanleitung liest.

Darüber hinaus sollten der Bediener oder der Arbeitgeber des Bedieners die spezifischen Risiken bewerten, die bei jeder Anwendung dieser Maschine bestehen.

Sicherheits-Signalworte

Die Sicherheits-Signalworte Gefahr, Warnung und Achtung haben folgende Bedeutung:

GEFAHR	Hinweis auf eine Gefahrensituation, die bei Nichtbeachtung zu schweren oder lebensgefährlichen Unfällen führt.
WARNUNG	Hinweis auf eine Gefahrensituation, die bei Nichtbeachtung zu schweren oder lebensgefährlichen Unfällen führen kann.
VORSICHT	Hinweis auf eine Gefahrensituation, die bei Nichtbeachtung zu geringen oder leichten Verletzungen führen kann.

Personliche Vorsichtsmaßnahmen und Qualifikationen

Die Maschine darf nur von qualifiziertem und geschultem Personal bedient oder gewartet werden. Dieses muss physisch in der Lage sein, mit Größe, Gewicht und Leistung der Maschine umzugehen. Verlassen Sie sich immer auf Ihren gesunden Menschenverstand.

Schutzausrüstung

Verwenden Sie stets geeignete Schutzausrüstung! Von Mitarbeitern und anderen Personen im Arbeitsbereich ist mindestens folgende Schutzausrüstung zu tragen:

- > Schutzhelm
- > Gehörschutz
- > Schutzbrille (mit seitlicher Abschirmung der Augen)
- > Atemmaske (bei Bedarf)
- > Schutzhandschuhe
- > Geeignete Sicherheitsschuhe
- > Geeigneter Arbeitsanzug oder ähnliche (eng anliegende) Kleidung, die Arme und Beine bedeckt.

Drogen, Alkohol oder Medikamente

▲ **WARNUNG** Drogen, Alkohol oder Medikamente

Drogen, Alkohol oder Medikamente können Ihre Urteilskraft und Konzentrationsfähigkeit einschränken. Schlechte Reaktionsfähigkeit und Fehleinschätzungen können zu schweren Verletzungen führen.

- ▶ Bedienen Sie die Maschine niemals, wenn Sie müde sind oder unter dem Einfluss von Drogen, Alkohol oder Medikamenten stehen.
- ▶ Personen, die unter dem Einfluss von Drogen, Alkohol oder Medikamenten stehen, dürfen die Maschine nicht bedienen.

Installation, Vorsichtsmaßnahmen

▲ **GEFAHR** Ausschlagender Druckluftschlauch

Ein Druckluftschlauch, der sich gelöst hat, kann ausschlagen und lebensgefährliche Verletzungen verursachen. Zur Verhütung dieses Unfallrisikos ist Folgendes zu beachten:

- ▶ Stellen Sie sicher, dass Druckluftschlauch und Anschlüsse unbeschädigt sind, und ersetzen Sie diese gegebenenfalls.
- ▶ Stellen Sie sicher, dass sämtliche Druckluftanschlüsse korrekt befestigt sind.
- ▶ Tragen Sie eine Druckluftmaschine niemals am Druckluftschlauch.

- ▶ Ein unter Druck stehender Druckluftschlauch darf unter keinen Umständen abgebaut oder demontiert werden. Schalten Sie zuerst die Druckluft am Kompressor aus und lassen Sie die Maschine durch Betätigen des Start- und Stoppschalters auslaufen.
- ▶ Verwenden Sie an der Werkzeugaufnahme keine Schnellkupplungen. Verwenden Sie Schlaucharmaturen mit Gewinde und aus gehärtetem Stahl (oder aus Material mit vergleichbarer Stoßfestigkeit).
- ▶ Bei Verwendung von Universaldrehkupplungen (Klauenkupplungen) empfehlen wir die Installation von Sicherungsstiften und Sicherungskabeln (die das Umherschlagen von Druckschläuchen verhindern), um den erforderlichen Schutz zu gewährleisten, falls eine Verbindung von Werkzeug zu Schlauch oder von Schlauch zu Schlauch versagt.
- ▶ Richte einen Druckluftschlauch nie auf eine andere Person oder den eigenen Körper! Um Verletzungen zu vermeiden, darf Druckluft niemals zum Sauberblasen von Kleidung oder auf ähnliche Weise zweckentfremdet werden.

▲ WARNUNG Ausschlagender Ablaufschlauch

Ein Ablaufschlauch, der sich gelöst hat, kann ausschlagen. Dabei können der Schlauch oder Flüssigkeitsstrahlen den Bediener treffen und lebensgefährliche Verletzungen verursachen. Zur Verhütung dieses Unfallrisikos ist Folgendes zu beachten:

- ▶ Beseitigen Sie alle Abknickungen, bevor Sie die Pumpe einschalten. Wenn der Ablaufschlauch abgeknickt wird, kann er dem Bediener aus der Hand gerissen werden.
- ▶ Stellen Sie stets sicher, dass die Ablaufschlauchanschlüsse korrekt befestigt sind.
- ▶ Stellen Sie sicher, dass Ablaufschlauch und Anschlüsse unbeschädigt sind, und ersetzen Sie diese gegebenenfalls.
- ▶ Stellen Sie stets sicher, dass der Auslass des Ablaufschlauchs ordnungsgemäß gesichert ist.

▲ WARNUNG Gefahren bei fester Installation

Die Pumpe ist primär für temporäre (mobile) Anwendungen vorgesehen. Befindet sich die Pumpe in einer festen Installation, können sich die Verbindungen zwischen Pumpe und Rohr lösen, und Flüssigkeitsstrahlen oder andere Partikel können den Bediener treffen und lebensgefährliche Verletzungen verursachen.

- ▶ Verwenden Sie für die Verbindung zwischen Pumpe und Rohr stets einen flexiblen Schlauch.
- ▶ Hängen Sie die Pumpe niemals am Schlauch auf.

Betrieb, Vorsichtsmaßnahmen

▲ GEFAHR Explosionsgefahr

Wenn eine Pumpe mit Explosivstoffen oder explosiven Gasen in Kontakt kommt, kann es zu einer Explosion kommen. Bei der Verwendung von bestimmten Materialien in Maschinenkomponenten können Funken auftreten und Explosionen verursachen. Explosionen können zu ernsthaften Verletzungen oder zum Tod führen.

- ▶ Die Maschine nie in einer explosiven Umgebung betreiben.

▲ WARNUNG Gefahr durch brennbare Flüssigkeit

Beim Pumpen von brennbaren Flüssigkeiten, können deren Dämpfe durch Funken explodieren, was wiederum zu ernsthaften Verletzungen oder zum Tod führen könnte.

- ▶ Pumpen Sie niemals brennbare Flüssigkeiten.

▲ WARNUNG Heiße Pumpe

Ist der Förderauslass beim pumpen verschlossen, wird die Pumpe heiß. Wenn heiße Flüssigkeiten gepumpt werden, kann die Pumpe heiß werden. Das Berühren einer heißen Pumpe kann zu Verbrennungen führen.

- ▶ Verwenden Sie die Pumpe niemals, wenn der Förderauslass geschlossen ist.
- ▶ Vermeiden Sie, die Pumpe anzufassen, wenn heiße Flüssigkeiten gepumpt werden.

▲ GEFAHR Ungeschütztes Flügelrad

Ein ungeschütztes Flügelrad kann ernsthafte Verletzungen verursachen.

- ▶ Lassen Sie die Maschine niemals ohne Ansaugsieb und Bodenplatte laufen.

▲ WARNUNG Gefahr durch Notsituation

Wird in einer Notsituation die Pumpe nicht sofort gestoppt, besteht die Gefahr lebensgefährlicher Verletzungen.

- ▶ Integrieren Sie so dicht wie möglich an der Pumpe ein Abschaltventil in den Druckluftschlauch.
- ▶ Aktivieren Sie das Abschaltventil, wenn eine Notsituation auftritt.

▲ WARNUNG Unerwartete Bewegungen

Im Betrieb kann die Pumpe unerwartete Bewegungen ausführen. Verschleißteile können nach Ablauf ihrer Lebensdauer aufgrund von Werkstoffermüdung brechen. Plötzliche und unerwartete Bewegungen können Verletzungen verursachen. Außerdem kann es zu Verletzungen kommen, wenn Sie das Gleichgewicht verlieren oder ausrutschen.

- ▶ Achten Sie darauf, beim Eintauchen oder Herausnehmen der Pumpe nicht das Gleichgewicht zu verlieren. Verwenden Sie eine geeignete Hebevorrichtung.
- ▶ Prüfen Sie die Ausrüstung vor jeder Anwendung. Bei Schadensverdacht darf die Ausrüstung auf keinen Fall verwendet werden.
- ▶ Stellen Sie sicher, dass die Pumpe einschließlich des Zubehörs sauber und frei von Fett oder Öl sind.
- ▶ Bewegliche Teile können Verletzungen verursachen – prüfen Sie Bohrungen niemals mit der Hand oder den Fingern.
- ▶ Gehen Sie mit der Ausrüstung sorgsam um.
- ▶ Prüfen Sie das Zubehör regelmäßig auf Abnutzung, Beschädigungen oder sichtbare Risse.
- ▶ Achten Sie während des Betriebs auf ungewöhnliche Vorgänge.

▲ WARNUNG Fliegende Splitter

Im Betrieb können Partikel oder Flüssigkeitsstrahlen zu Geschossen werden und schwere Verletzungen verursachen, wenn Sie den Bediener oder andere Personen treffen. Zur Verhütung dieses Unfallrisikos ist Folgendes zu beachten:

- ▶ Tragen Sie immer geeignete Schutzausrüstung und einen Schutzhelm, einschließlich einer Schutzbrille mit seitlicher Abschirmung der Augen.
- ▶ Stellen Sie sicher, dass Unbefugte den Arbeitsbereich nicht betreten können.
- ▶ Der Arbeitsplatz ist sauber und aufgeräumt zu hinterlassen.
- ▶ Flüssigkeitsstrahlen aus dem Ablaufschlauch könnten Festkörper mit hoher Geschwindigkeit enthalten. Richten Sie Flüssigkeitsstrahlen niemals auf andere Personen.

▲ WARNUNG Gefahren durch Ausrutschen, Stolpern und Hinfallen

Es besteht die Gefahr, auszurutschen, zu stolpern oder hinzufallen, z. B. Stolpern über Schläuche oder andere Gegenstände. Ausrutschen, Stolpern oder Hinfallen kann zu Verletzungen führen. Zur Verhütung dieses Unfallrisikos ist Folgendes zu beachten:

- ▶ Stellen Sie stets sicher, dass Ihnen oder anderen Personen keine Schläuche oder andere Objekte in Weg sind.
- ▶ Stellen Sie sicher, dass Sie immer eine stabile Standposition einnehmen. Verteilen Sie dazu Ihr Körpergewicht auf beide Füße, die schulterbreit auseinander stehen.

▲ GEFAHR Gefahren durch elektrischen Strom

Die Maschine ist nicht elektrisch isoliert. Wenn die Maschine mit Elektrizität in Kontakt kommt, kann dies zu ernsthaften Verletzungen oder zum Tod führen.

- ▶ Betreiben Sie die Maschine niemals in der Nähe von elektrischen Leitungen oder anderen Stromquellen.
- ▶ Stellen Sie sicher, dass innerhalb des Arbeitsbereichs keine verborgenen elektrischen Quellen vorhanden sind.

▲ WARNUNG Unbeabsichtigter Start

Unbeabsichtigtes Starten der Maschine kann zu Verletzungen führen.

- ▶ Halten Sie Ihre Hände so lange vom Start- und Stoppschalter fern, bis Sie zum Starten der Maschine bereit sind.
- ▶ Machen Sie sich damit vertraut, wie die Maschine im Notfall ausgeschaltet wird.
- ▶ Stoppen Sie die Maschine bei jeglicher Unterbrechung der Energieversorgung.

▲ WARNUNG Gehörverlust

Hohe Schallpegel können zu bleibendem Hörverlust und anderen Problemen wie Tinnitus (Klingel-, Summ-, Brumm- oder Pfeifgeräusche in den Ohren) führen. Zur Verringerung dieser Gefahren und zur Vermeidung von unnötig hohen Schallpegeln ist Folgendes zu beachten:

- ▶ Eine Risikoanalyse dieser Gefahren und eine Implementierung geeigneter Kontrollmaßnahmen werden dringend empfohlen.
- ▶ Betrieb und Wartung der Maschine sind entsprechend dieser Anleitung durchzuführen.
- ▶ Tragen Sie stets einen Gehörschutz.

Wartung, Vorsichtsmaßnahmen

▲ WARNUNG **Änderungen an der Maschine**

Änderungen an der Maschine können zu schweren Unfällen führen.

- ▶ Nehmen Sie niemals Änderungen an der Maschine vor. Bei modifizierten Maschinen entfallen Garantie und Produkthaftung.
- ▶ Verwenden Sie stets Originalteile und Originalzubehör.
- ▶ Wechseln Sie beschädigte Bauteile sofort aus.
- ▶ Ersetzen Sie verschlissene Komponenten rechtzeitig.

Lagerung, Vorsichtsmaßnahmen

- ◆ Lagern Sie die Maschine und die Werkzeuge in einer sicheren, abgeschlossenen Umgebung und für Kinder unzugänglich.

Übersicht

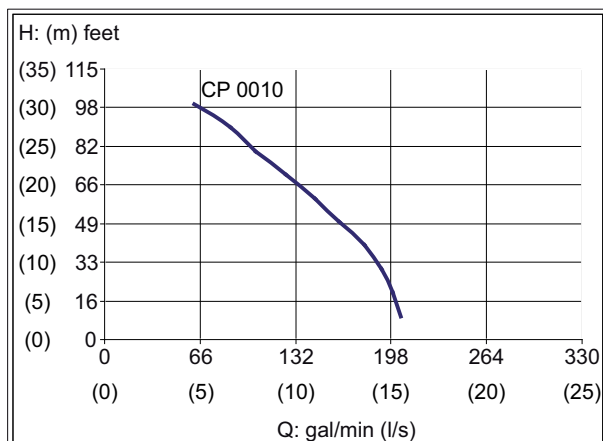
Lesen Sie bitte vor Installation, Betrieb, Reparatur und Wartung der Maschine bzw. vor dem Wechsel von Zubehör die Sicherheitshinweise und die Betriebsanleitung sorgfältig durch, um Unfallrisiken, die mit ernsthaften Verletzungen oder Lebensgefahr verbunden sein können, zu vermeiden.

Konstruktion und Funktion

Die Kreiselpumpe CP 0010 ist für das Pumpen relativ sauberer Flüssigkeiten vorgesehen, z. B. Wasser und Kühlmittel. Es wird nicht empfohlen, Flüssigkeiten mit Temperaturen über 212°F (100°C) zu pumpen. Pumpen Sie keine Schleifflüssigkeiten. Andere Einsatzgebiete sind nicht zulässig. Die CP 0010 ist in der Lage, unterschiedliche Anforderungen in Bezug auf Durchfluss und Druck zu erfüllen, siehe Diagramm unten.

Die CP 0010 ist eine Tauchpumpe, d.h. sie kann vollständig in das Fördermedium eingetaucht werden. Das Flügelrad der CP 0010 besteht aus sandgestrahlter Aluminiumbronze und wird von einem Druckluftmotor angetrieben. Die Druckluft durchströmt einen Luftfilter, der ein Eindringen jeglicher Fremdkörper in die Pumpe verhindert. Die integrierte Schmiervorrichtung liefert eine Dauerschmierung.

Das Diagramm gilt für 6 bar (87 psi) und für das Pumpen von Grundplattenebene.

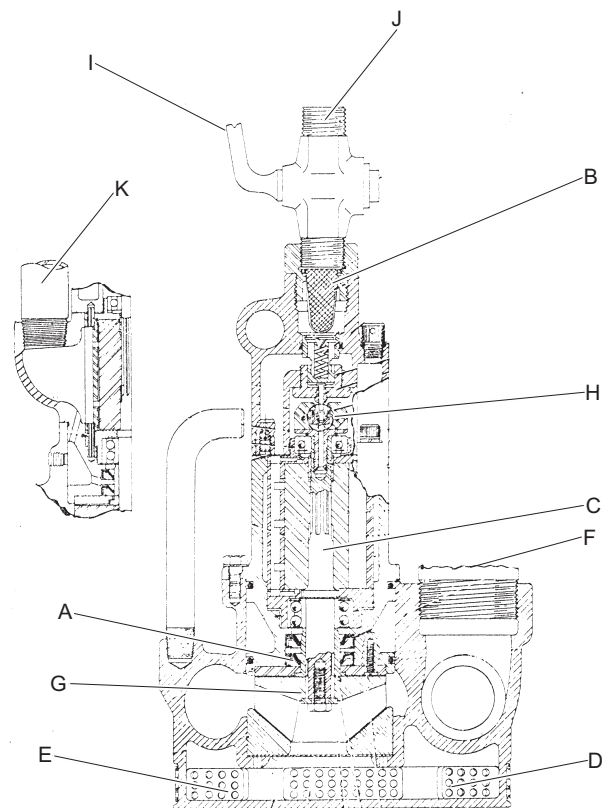


H: Förderhöhe ft (m)

Q: Durchfluss gal/min (l/s)

HINWEIS Wenn ein geringerer Luftdruck als der empfohlene angewendet wird oder wenn Flüssigkeiten mit einer anderen Viskosität als Wasser gefördert werden, verringert sich die Kapazität der Pumpe, und das Diagramm oben wird ungenau.

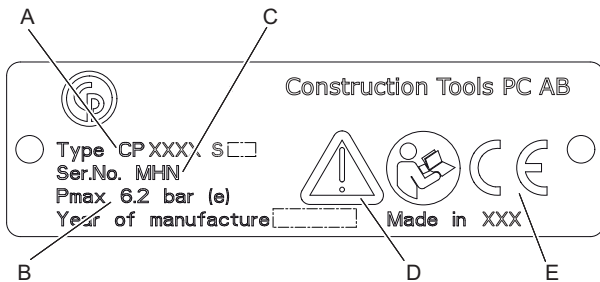
Hauptkomponenten



- A. Schaftdichtung
- B. Luftfilter
- C. Motor
- D. Filterscheibe
- E. Flüssigkeitseinlass
- F. Förderauslass
- G. Flügelrad
- H. Regler
- I. Ventil
- J. Lufteinlass
- K. Luftauslass

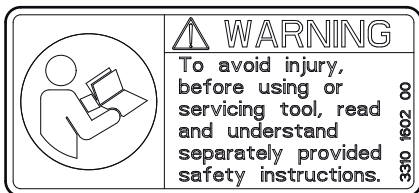
Etiketten

Typenschild



- A. Maschinentyp
- B. Max. zulässiger Druckluftdruck
- C. Seriennummer
- D. Das Warnsymbol und das Buchsymbol weisen darauf hin, dass Sie vor dem ersten Einsatz der Maschine die Sicherheitshinweise und die Betriebsanleitung lesen müssen.
- E. Das CE-Zeichen zeigt an, dass die Maschine EG-geprüft ist. Weitere Informationen dazu finden Sie in der beigelegten EG-Konformitätserklärung. Fehlt das CE-Zeichen, bedeutet dies, dass die Maschine nicht EG-geprüft ist.

Sicherheitsschild



Lesen Sie vor Benutzung und Wartung des Werkzeugs die separat mitgelieferten Sicherheitshinweise sorgfältig durch, um Verletzungen zu vermeiden.

Installation

Vorbereitung

Stellen Sie stets sicher, dass die Pumpe sicher auf einer ebenen Oberfläche steht.

Je nach den Umgebungsbedingungen kann die Pumpe auf verschiedene Arten installiert werden.

Der Abluftauslass befindet sich oberhalb der Flüssigkeitsoberfläche:

- ◆ Die Pumpe kann direkt gestartet werden.

Die Pumpe ist in das Fördermedium eingetaucht:

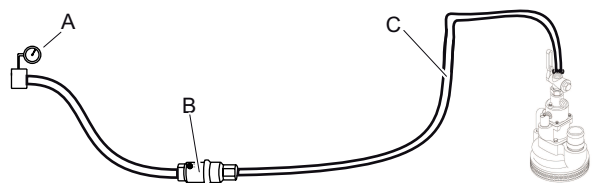
- ◆ Starten Sie die Pumpe vor dem Eintauchen in das Fördermedium.
- ◆ Wenn ein Abluftschlauch an den Abluftauslass angeschlossen ist, kann die Pumpe eingetaucht und anschließend gestartet werden.

HINWEIS Die Pumpe darf eingetaucht nur gestartet oder gestoppt werden, wenn ein Abluftschlauch an den Abluftauslass angeschlossen ist.

Feste Installation

Die Pumpe ist primär für temporäre (mobile) Anwendungen vorgesehen. Befindet sich die Pumpe in einer festen Installation, stellen Sie sicher, dass die Verbindung zwischen Pumpe und Rohr als flexibler Schlauch ausgeführt wird.

Schläuche und Anschlüsse



- A. Druckluftquelle
 - B. Wasserabscheider (optional)
 - C. Max. 10 feet (3 m) Druckluftschlauch zwischen Wasserabscheider und Maschine.
- ◆ Stellen Sie sicher, dass Sie den richtigen Luftdruck von 87 psig (6 Bar) eingestellt haben.
 - ◆ Der für die Maschine zulässige maximale Luftdruck von 90 psig (6,2 bar) darf nicht überschritten werden.
 - ◆ Blasen Sie alle Verunreinigungen aus dem Druckluftschlauch aus, bevor Sie die Maschine anschließen.
 - ◆ Wählen Sie aus den verfügbaren Optionen einen Schlauch in geeigneter Größe, und schließen Sie ihn an den Wasserauslass der Pumpe an. Für die CP-Pumpen wird für maximalen Durchfluss ein 3 in. -Schlauch (76 mm) empfohlen.
 - ◆ Wählen Sie für den Druckluftschlauch den richtigen Durchmesser und die passende Länge aus. Für Schlauchlängen bis 100 feet (30 m) sollte ein Innendurchmesser von mindestens $\frac{3}{4}$ in. (19 mm) verwendet werden. Für Schlauchlängen von 100 bis 330 feet (30 bis 100 m) sollte ein Innendurchmesser von mindestens 1 in. (25 mm) verwendet werden.

Methoden zur Vermeidung von Einfrieren

Bei Umgebungstemperaturen von 32 bis 50 °F (0 bis 10 °C) und hoher relativer Luftfeuchtigkeit kann sich im Druckluftmotor Eis bilden.

Eine weitere Verringerung des Risikos für Eisbildung wird durch folgende Maßnahmen erreicht:

- ◆ Verwenden Sie einen Wasserabscheider.

Schmierung

Für eine problemlose Funktion ist eine ständige Schmierung des Druckluftmotors erforderlich. Entfernen Sie vor dem Einsatz und alle acht Betriebsstunden die Ölschraube, und füllen Sie die Ölkammer mit dem empfohlenen Öl auf, siehe unten.

Schmiermittel	Temperaturbereich °F (°C)	Viskosität
Druckluftwerkzeugöl	≤100 (≤38)	100-150 SUS (ISO VG 22-32)
Druckluftwerkzeugöl	>100 (>38)	200-300 SUS (ISO VG 46-48)

Fett

Verwenden Sie ein qualitativ hochwertiges Lagerfett, das für Kugellager empfohlen ist.

HINWEIS Kfz-Wasserpumpenfett ist für den Betrieb mit heißem Wasser ausgelegt und ist zu hart für den Pumpbetrieb mit kalten Flüssigkeiten.

Einstellung der Schmiervorrichtung

Das Ventil der Schmiervorrichtung ist werkseitig so eingestellt, dass es innerhalb von acht Betriebsstunden ca. sechs Unzen (180 g) Öl abgibt. Prüfen Sie die Schmierung, indem Sie während die Pumpe läuft ein sauberes Stück Papier in den Abluftstrom halten. Nach ca. fünf Sekunden sollten sich Spuren von Öl auf dem Papier zeigen.

Wenn eine Neueinstellung erforderlich ist, gehen Sie wie folgt vor:

- 1) Entfernen Sie die Ölschraube und lassen Sie das gesamte Öl ab.
- 2) Lösen und entfernen Sie die vier Muttern und Sicherungsscheiben, die das Reglergehäuse mit dem Motorgehäuse verbinden, und entfernen Sie das Flügelgehäuse.
- 3) Verwenden Sie einen 1/8 in.-Inbus-Schlüssel, um den Düseneinsatz (Madenschraube in Bohrung) zu drehen. Drehen Sie im Uhrzeigersinn, um den Ölfluss zu reduzieren. Drehen Sie entgegen dem Uhrzeigersinn, um den Ölfluss zu erhöhen.

- 4) Setzen Sie die Schmiervorrichtung wieder zusammen, füllen Sie sie auf, und prüfen Sie sie wie oben beschrieben.

HINWEIS Reduzieren Sie den Ölfluss nicht vollständig, da eine mangelnde Schmierung schnell zu einem Ausfall der Pumpe führt.

Betrieb

▲ WARNUNG Unbeabsichtigter Start

Unbeabsichtigtes Starten der Maschine kann zu Verletzungen führen.

- ▶ Halten Sie Ihre Hände so lange vom Start- und Stoppschalter fern, bis Sie zum Starten der Maschine bereit sind.
- ▶ Machen Sie sich damit vertraut, wie die Maschine im Notfall ausgeschaltet wird.
- ▶ Stoppen Sie die Maschine bei jeglicher Unterbrechung der Energieversorgung.

▲ WARNUNG Gefahr durch brennbare Flüssigkeit

Beim Pumpen von brennbaren Flüssigkeiten, können deren Dämpfe durch Funken explodieren, was wiederum zu ernsthaften Verletzungen oder zum Tod führen könnte.

- ▶ Pumpen Sie niemals brennbare Flüssigkeiten.

Vorbereitungen vor der Inbetriebnahme

- > Blasen Sie den Druckluftschlauch aus, bevor Sie ihn an die Pumpe anschließen.
- > War die Pumpe längere Zeit nicht in Betrieb, füllen Sie ca. 1 3/4 oz (5 cl) Öl direkt in die Luftzufuhr der Pumpe. Damit ist bereits ab dem Start eine gute Schmierung gewährleistet.
- > Stellen Sie sicher, dass die Druckluft frei von Wasser oder anderen Verunreinigungen ist. Trockene Druckluft ist besonders bei Einsatz eines Schalldämpfers erforderlich, da ein Schalldämpfer das Risiko der Eisbildung erhöht.

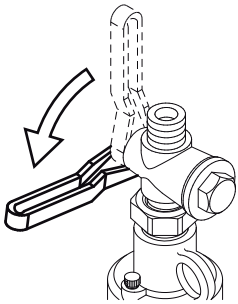
Start und Stopp

⚠ **WARNUNG** Ausschlagender Ablaufschlauch

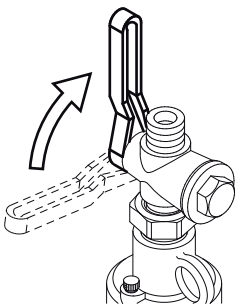
Ein Ablaufschlauch, der sich gelöst hat, kann ausschlagen. Dabei können der Schlauch oder Flüssigkeitsstrahlen den Bediener treffen und lebensgefährliche Verletzungen verursachen. Zur Verhütung dieses Unfallrisikos ist Folgendes zu beachten:

- ▶ Beseitigen Sie alle Abknickungen, bevor Sie die Pumpe einschalten. Wenn der Ablaufschlauch abgeknickt wird, kann er dem Bediener aus der Hand gerissen werden.
- ▶ Stellen Sie stets sicher, dass die Ablaufschlauchanschlüsse korrekt befestigt sind.
- ▶ Stellen Sie sicher, dass Ablaufschlauch und Anschlüsse unbeschädigt sind, und ersetzen Sie diese gegebenenfalls.
- ▶ Stellen Sie stets sicher, dass der Auslass des Ablaufschlauchs ordnungsgemäß gesichert ist.

Start und Stopp



Starten Sie die Pumpe, indem Sie sie an die Energieversorgung anschließen und den Start- und Stoppschalter betätigen.



Stoppen Sie die Pumpe, indem Sie den Start- und Stoppschalter betätigen und sie von der Energieversorgung trennen.

Betrieb

- > Folgendes muss zu Beginn jeder Schicht durchgeführt werden:
 - > Füllen Sie die Ölkammer mit dem empfohlenen Öl auf.
 - > Prüfen Sie die Öldosierfunktion, indem Sie ein sauberes Stück Papier in den Abluftstrom halten. Nach ca. fünf Sekunden sollten sich Spuren von Öl auf dem Papier zeigen. Passen Sie bei Bedarf die Öldosierung an; siehe Abschnitt „Einstellung der Schmiervorrichtung“.
- > Wenn Flüssigkeiten im Innern der Pumpe gefrieren, kann die Pumpe beschädigt werden.
- > Lassen Sie die Pumpe nicht längere Zeit trocken laufen, da dies die Dichtungen beschädigt.
- > Wenn die Pumpe in korrosivem oder verschmutztem Wasser eingesetzt wurde, muss sie anschließend einige Minuten lang in sauberem Wasser betrieben werden.

Wartung

Eine regelmäßige Wartung ist die Grundvoraussetzung für den Erhalt der Sicherheit und Effektivität der Maschine. Halten Sie sich bitte genau an die Wartungsanweisungen.

- ◆ Verwenden Sie ausschließlich Originalbauteile. Schäden oder Fehlfunktionen, die durch den Einsatz unzulässiger Bauteile entstehen, werden nicht durch Garantie oder Produkthaftung abgedeckt.
- ◆ Stellen Sie beim Reinigen mechanischer Teile mit Lösungsmittel sicher, dass die geltenden Gesundheits- und Sicherheitsvorschriften eingehalten werden und für ausreichende Lüftung gesorgt ist.
- ◆ Für eine Hauptdurchsicht der Maschine wenden Sie sich an Ihre nächste Vertragswerkstatt.

Täglich

Schalten Sie vor jeder Wartung der Pumpe stets die Druckluftversorgung aus. Trennen Sie anschließend den Druckluftschlauch von der Maschine.

- ◆ Säubern und prüfen Sie die Maschine auf ihre Funktionsfähigkeit täglich vor Arbeitsbeginn.
- ◆ Führen Sie eine allgemeine Prüfung auf Undichtigkeiten und Beschädigungen durch.
- ◆ Stellen Sie sicher, dass der Einlassnippel festgezogen und die Klauenkupplung nicht beschädigt ist.
- ◆ Wechseln Sie beschädigte Bauteile sofort aus.
- ◆ Ersetzen Sie beschädigte oder verschlissene Komponenten rechtzeitig.
- ◆ Stellen Sie sicher, dass Ausrüstung und Zubehör, z. B. Schläuche, Wasserabscheider und Schmiervorrichtungen, gut gewartet sind.

Regelmäßige Wartung

Aufgrund der unterschiedlichen Anwendungsfälle sind die jeweilige Wartungshäufigkeit und der Wartungsumfang am besten anhand der früheren Leistung zu bemessen. Die detaillierte Aufzeichnung der Leistung bei der Wartung erleichtert die Festlegung eines Intervalls für vorbeugende Wartung.

Regelmäßige Wartung

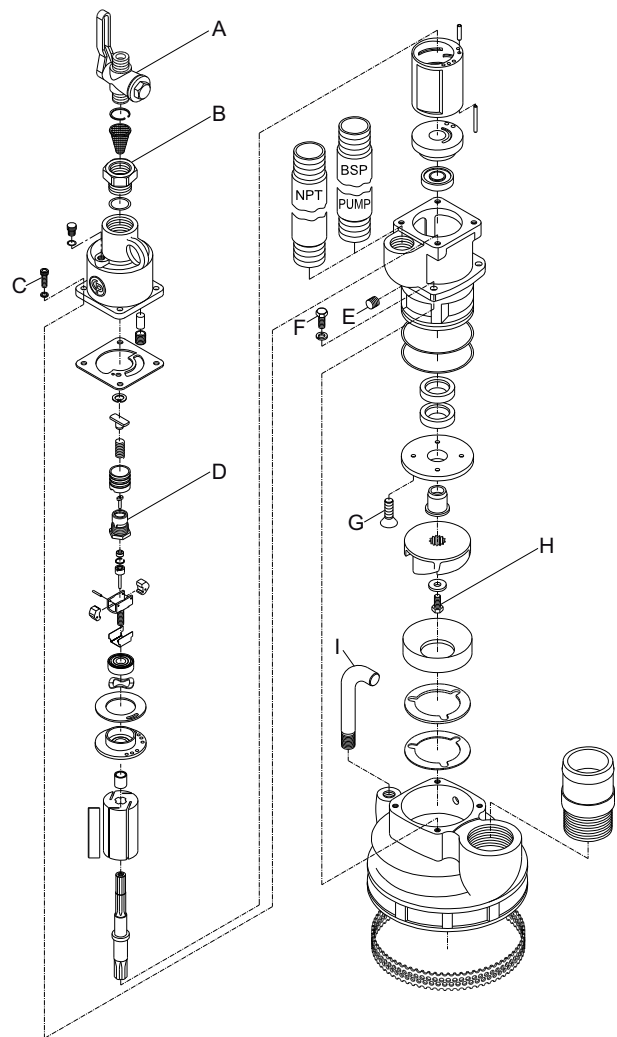
Zeitintervall,
Pumpstunden

Prüfge- stand	Prüfen auf	Zeitintervall, Pumpstunden		
		Jedes 8. Mal	Jedes 40. Mal	Jedes 400. Mal
Schläuche und Anschlüsse	Leckstellen, Beschä- digungen	X		
Einlassfilter	Blockie- rungen, Beschä- digungen		X	
Schraub- verbind- ungen	Dichtheit		X	
Pumpe, vollständig	-			X
Schmier- vorrichtung	Ölstand, Funktion	X		
*Fettkammer	Fettpegel		X	

*Siehe Abschnitt „Sicherheitshinweise für Demontage und Montage“

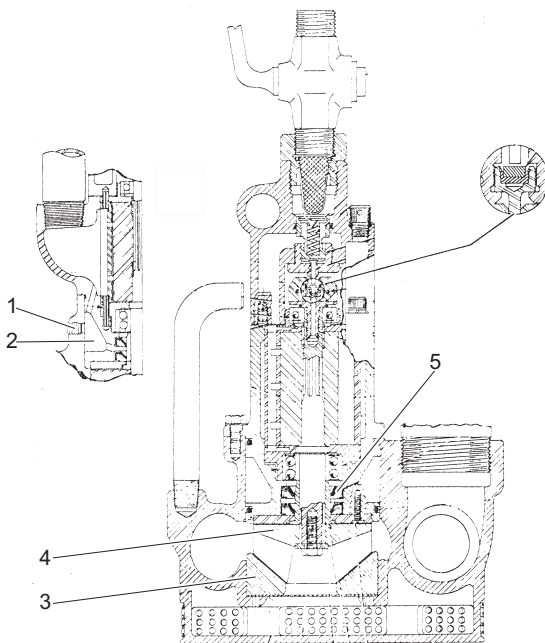
Falls ein Ausfall oder eine Verschlechterung der Pumpleistung auftritt, ermitteln Sie die Ursache, und beheben Sie den Fehler. Reparaturen sollten vorzugsweise in einer Fachwerkstatt erfolgen.

Anziehdrehmomente



- A. Ventil, 40-54 Nm
- B. Lufteinlassbuchse, 162-190 Nm
- C. Schraube, 11-14 Nm
- D. Reglergehäuse, 40-54 Nm
- E. Verschlusschraube, 13-19 Nm
- F. Schraubdeckel, 140-150 Nm
- G. Schraube, 70-80 Nm
- H. Bolzen, 19-22 Nm
- I. Griff, 40-54 Nm

Sicherheitshinweise für Demontage und Montage



- ◆ Säubern Sie bei jeder Demontage der Pumpe alle Kugellager, und entfernen Sie altes Fett von den übrigen Komponenten. Verwenden Sie das empfohlene Fett, befüllen Sie die Lager neu, schmieren Sie alle Reglerkomponenten sowie alle Komponenten zwischen der unteren Endplatte und dem Flügelrad.

Entfernen Sie den Rohrverschluss (1) im Pumpengehäuse, und füllen Sie die Fettkammer (2) mit dem empfohlenen Fett auf. Verwenden Sie keinen Schmiernippel. Dies würde die Fettkammer unter Druck setzen und die Dichtungen beschädigen.

HINWEIS Kfz-Wasserpumpenfett ist für den Betrieb mit heißem Wasser ausgelegt und ist zu hart für den Pumpbetrieb mit kalten Flüssigkeiten.

- ◆ Beim Wechsel der Schaftdichtungen muss die innere Dichtung am Bund des Motorgehäuses aufsetzen, und die äußere Dichtung bündig mit dem Motorgehäuse abschließen. Wenn die Schaftdichtungen aufgrund von Undichtigkeit ersetzt werden, muss auch die Laufbuchse des Flügelrads (5) ersetzt werden.

- ◆ Beim Wiederaussetzen der Pumpe sollte ein Spiel von 0,007 bis 0,012 in. (0,18 bis 0,30 mm) zwischen den Winkelflächen der unteren Reibplatte (3) und dem Flügelrad (4) bestehen. Überschreitet das Spiel 0,012 in. (0,30 mm), fügen Sie unterhalb der unteren Reibplatte Unterlegscheiben in der passenden Dicke hinzu. Stellen Sie sicher, dass die Schlitze der Unterlegscheiben mit den drei Auswerferbohrungen im Pumpengehäuse übereinstimmen.
- ◆ Beim Einbau des Motors in das Motorgehäuse muss die obere Endplatte 0,001 bis 0,003 in. (0,03 bis 0,08 mm) über das Motorgehäuse hinausragen. Ist dies nicht der Fall, fügen Sie entsprechend Unterlegscheiben hinzu.
- ◆ Schmieren Sie die Keilnuten des Rotorschafte mit einem hochwertigen Molybdändisulfid (MoS₂)-Fett ein.
- ◆ Der Reglerkörper ist mit dem Rotor über ein Linksgewinde verbunden.

Fehlersuche

Äußere Umstände können zu einem Nachlassen der Leistung oder einem Motorausfall führen. Prüfen Sie auf Folgendes:

- ◆ Zu niedriger Luftdruck an der Pumpe. An der Pumpe wird bei weit offenem Motor ein Luftdruck von 90 psi (6,2 bar) benötigt.
- ◆ Geringe Kompressorleistung.
- ◆ Übermäßiges Leerlaufen an der Zuleitung.
- ◆ Verwendung von Schläuchen oder Anschlüssen der falschen Größe.

Wenn die oben genannten Punkte in Ordnung sind, prüfen Sie nacheinander Folgendes:

- 1) Luftfilter: ausbauen, säubern und wieder einsetzen.
- 2) Motorschmierung: Füllen Sie die Ölkammer auf, lösen Sie den Schlauch, und füllen Sie eine kleine Menge des empfohlenen Öls in den Lufteinlass. Prüfen Sie wie oben beschrieben die Öldosierung im Abluftstrom, siehe „Einstellung der Schmiervorrichtung“.
- 3) Flügelrad: Unter dem Flügelrad oder zwischen Flügelrad und Verschleißring kann sich Abrieb ansammeln und zum Blockieren der Pumpe führen.

So beheben Sie das Problem:

Nehmen Sie die Pumpe aus dem Wasser und lassen Sie Wasser in den Ablaufschlauch laufen, um die Pumpe durchzuspülen und die Partikel zu lösen.

Bleibt dies erfolglos, zerlegen und inspizieren Sie die Pumpe. Siehe Abschnitt „Sicherheitshinweise für Demontage und Montage“.

- 4) Vereisung: Vereisung in Abluftkammer und -rohr entsteht, wenn Feuchtigkeit in Motor oder Abluftkammer eindringen. Prüfen Sie die Lufteinlass- und Luftauslassanschlüsse auf Wasserdichtheit. Stellen Sie sicher, dass sich das Ende des Abluftrohrs oder Schlauchs oberhalb der Wasseroberfläche befinden.

- > Füllen Sie nach der Lagerung und vor der Inbetriebnahme der Pumpe etwas Öl direkt in die Luftzufuhr der Pumpe.

Entsorgung

Eine verschlissene Maschine muss so entsorgt werden, dass so viel Material wie möglich wiederverwendet werden kann und die Umwelt in Übereinstimmung mit den örtlichen Regelungen so wenig wie möglich belastet wird.

Lagerung

Vorbereitung der Pumpe für die Lagerung

- > Nach der Anwendung muss die Pumpe mit einer sauberen, neutralen Flüssigkeit ausgespült werden. Dies ist besonders wichtig, wenn die Pumpe zuvor zum Pumpen von Säure, salzhaltigen Flüssigkeiten oder anderen stark verschmutzten oder aggressiven Flüssigkeiten verwendet wurde.
- > Soll die Pumpe für 24 Stunden oder mehr gelagert werden, sollte der Druckluftmotor geschmiert werden, um ihn vor Korrosion zu schützen.
- > Füllen Sie ca. 100 ml Rostschutzöl direkt in die Luftzufuhr der Pumpe. Verbinden Sie die Pumpe mit der Druckluftleitung und lassen Sie sie für ein paar Sekunden laufen. Dabei sollte sie mit möglichst geringer Geschwindigkeit laufen, damit sich das Rostschutzöl im Druckluftmotor verteilt.
- > Nach dem Schmieren mit Rostschutzöl muss die Luftzufuhr der Pumpe verschlossen werden.

Technische Daten

Maschinendaten

Typ	Gewicht lb (kg)	Höhe in. (mm)	Länge in. (mm)	Breite in. (mm)	Luftdurchsatz (6 bar) cfm (l/s)
CP 0010	33 (15)	17½ (445)	8¼ (210)	9 (229)	100 (47)

Typ	Fördereinlass	Förderauslass in.	Lufteinlass in. (mm)	Luftauslass in. (mm)
CP 0010	-	2	¾, NPT (20)	1, NPT (25)

Erklärung zur Geräuschemission

Garantierter Schallleistungspegel **L_w** gemäß EN ISO 3744 in Übereinstimmung mit der Richtlinie 2000/14/EG. Schalldruckpegel **L_p** gemäß EN ISO 11203.

Die angegebenen Werte wurden durch Bauartprüfung im Labor entsprechend den angegebenen Richtlinien bzw. Normen ermittelt und eignen sich nur für den Vergleich mit den angegebenen Werten anderer Werkzeuge, die entsprechend den gleichen Richtlinien bzw. Normen ermittelt wurden. Die angegebenen Werte eignen sich nicht zur Verwendung in Risikoanalysen, denn die in individuellen Arbeitsumgebungen gemessenen Werte können höher sein. Die tatsächliche Belastung und das Verletzungsrisiko für den einzelnen Anwender hängen jeweils von der Arbeitsweise des Anwenders, vom bearbeiteten Material, von der Belastungsdauer, von der physischen Kondition des Anwenders und vom Zustand der Maschine ab.

Construction Tools PC AB haftet nicht für Folgen, falls die genannten Werte anstelle der Werte verwendet werden, die der tatsächlichen Belastung entsprechen, hervorgehend aus einer individuellen Risikoanalyse in einer Arbeitsplatzsituation, die wir nicht beeinflussen können.

Angaben zur Geräuschemission

Geräuschemission		
Angabe		
	Schalldruck	Schalleistung
	EN ISO 11203	2000/14/EG
Typ	L_p r=1m dB(A) bei 20 µPa	L_w garantiert dB(A) bei 1 pW
CP 0010	109	122

EG-Konformitätserklärung

EG-Konformitätserklärung (EG-Richtlinie 2006/42/EG)

Wir, die Construction Tools PC AB, erklären hiermit, dass die nachfolgend aufgelisteten Maschinen die Bestimmungen der EG-Richtlinien 2006/42/EG (Maschinenrichtlinie) und 2000/14/EG (Lärmschutzrichtlinie) sowie die nachfolgend genannten harmonisierten Normen erfüllen.

Kreiselpumpen	Garantierter Schalleistungspegel [dB(A)]	Gemessener Schalleistungspegel [dB(A)]	Pmax (bar)
CP 0010	122	120	6.2

Folgende harmonisierte Normen wurden angewandt:

- ◆ EN 809:1998

Folgende andere Normen wurden angewandt:

- ◆ 2000/14/EC, Appendix V

Bevollmächtigter für die technische Dokumentation:

Per Forsberg
 Construction Tools PC AB
 Dragonvägen 2
 Kalmar

Vizepräsident – Design und Entwicklung:

Erik Sigfridsson

Hersteller:

Construction Tools PC AB
 Box 703
 391 27 Kalmar
 Sweden

Ort und Datum:

Kalmar, 2014-12-09

ESPAÑOL

Contenido

Introducción 51

Acerca de las instrucciones de seguridad y de funcionamiento 51

Instrucciones de seguridad 52

 Terminología de las señales de seguridad..... 52

 Precauciones y cualificaciones del personal..... 52

 Instalación, precauciones..... 52

 Funcionamiento, precauciones..... 53

 Mantenimiento, precauciones..... 54

 Almacenaje, precauciones..... 54

Visión general 55

 Diseño y funcionamiento..... 55

 Piezas principales..... 55

 Etiquetas..... 56

Instalación 56

 Preparación..... 56

 Instalación fija..... 56

 Mangueras y conexiones..... 56

 Métodos para evitar la congelación..... 57

 Lubricación..... 57

Funcionamiento 57

 Preparaciones antes de la puesta en marcha..... 57

 Puesta en marcha y parada..... 58

 En funcionamiento..... 58

Mantenimiento 58

 A diario..... 58

 Mantenimiento periódico..... 59

 Pares de apriete..... 59

 Precauciones para el desmontaje y el montaje..... 60

Localización y resolución de problemas 60

Almacenaje 61

 Preparación de la bomba para su almacenamiento..... 61

Desechar 61

Especificaciones técnicas 62

 Datos de la máquina..... 62

 Declaración de ruidos..... 62

 Datos sobre el ruido..... 62

Declaración CE de conformidad 63

 Declaración CE de conformidad (Directiva 2006/42/CE)..... 63

Introducción

Gracias por elegir productos de la marca Chicago Pneumatic. Durante más de un siglo, la marca Chicago Pneumatic ha sido la representación del rendimiento y la innovación en la industria de las herramientas neumáticas.

Actualmente se encuentra en todo el mundo con una amplia gama de herramientas neumáticas e hidráulicas, como por ejemplo martillos, perforadoras, cinceladores, excavadoras de tierra, picos, remachadoras, desbastadoras, bombas y muchas otras herramientas.

La marca Chicago Pneumatic se relaciona con productos potentes y fiables, fáciles de mantener y con una buena relación calidad-precio.

Para obtener más información, visite www.cp.com

Construction Tools PC AB
Box 703
391 27 Kalmar
Sweden

Acerca de las instrucciones de seguridad y de funcionamiento

El objetivo de estas instrucciones es proporcionarle los conocimientos necesarios para saber utilizar la bomba de manera eficiente y segura. Las instrucciones también aconsejan e informan sobre cómo llevar a cabo el mantenimiento regular de la bomba.

Antes de utilizar la bomba por primera vez, debe leer cuidadosamente y entender todas estas instrucciones.

Instrucciones de seguridad

Para reducir el riesgo de que usted u otras personas padezcan lesiones graves o la muerte, lea las Instrucciones de seguridad y funcionamiento antes de instalar, usar, reparar o cambiar la máquina o de realizar su mantenimiento.

Exponga estas instrucciones de seguridad y funcionamiento en las zonas de trabajo, proporcione copias a los empleados y asegúrese de que todos las lean antes de utilizar o reparar la máquina.

Además, el operario o su empleador deberá evaluar los riesgos específicos que pueden surgir como resultado del uso de la máquina.

Terminología de las señales de seguridad

Los términos de seguridad Peligro, Atención y Cuidado tienen los siguientes significados:

PELIGRO	Indica una situación de peligro que, si no se evita, ocasionará la muerte o lesiones graves.
ADVERTENCIA	Indica una situación de peligro que, si no se evita, podría ocasionar la muerte o lesiones graves.
ATENCIÓN	Indica una situación de peligro que, si no se evita, podría ocasionar lesiones menores o moderadas.

Precauciones y cualificaciones del personal

Sólo personas cualificadas y debidamente formadas pueden utilizar u ocuparse del mantenimiento de la máquina. Deben poder manejar físicamente el volumen, el peso y la potencia de la herramienta. Utilice siempre su sentido común y buen juicio.

Equipo de protección personal

Utilice siempre equipo de protección autorizado. Los operarios y el resto del personal del área de trabajo deben llevar, como mínimo, el siguiente equipo de protección:

- > Casco de protección
- > Protección auditiva
- > Protección ocular resistente a los impactos con protección lateral
- > Protección respiratoria, cuando sea necesario
- > Guantes protectores

- > Botas protectoras adecuadas
- > Una bata de trabajo adecuada o prenda similar (no holgada) que cubra los brazos y las piernas.

Drogas, alcohol y medicación

▲ ADVERTENCIA Drogas, alcohol y medicación

Las drogas, el alcohol y la medicación pueden alterar la capacidad de juicio y el poder de concentración. Las malas reacciones y las valoraciones incorrectas pueden provocar accidentes graves o la muerte.

- ▶ Nunca utilice la máquina cuando esté cansado o bajo los efectos de drogas, alcohol o medicinas.
- ▶ Nadie que esté bajo los efectos de drogas, alcohol o medicinas podrá manejar la máquina.

Instalación, precauciones

▲ PELIGRO Manguera de aire suelta

Una manguera de aire comprimido suelta puede asestar latigazos y ocasionar lesiones o incluso la muerte. Para reducir este riesgo:

- ▶ Compruebe que la manguera de aire comprimido y las conexiones no estén dañadas y sustitúyalas si es necesario.
- ▶ Compruebe que todas las conexiones de aire comprimido estén debidamente conectadas.
- ▶ No arrastre nunca una máquina neumática por la manguera del aire.
- ▶ No intente nunca desconectar una manguera de aire comprimido que esté presurizada. En primer lugar, apague el suministro de aire comprimido del compresor y, a continuación, purgue la máquina activando el dispositivo de puesta en marcha y parada.
- ▶ No utilice acoplamiento rápidos de desconexión en la entrada de la herramienta. Utilice fijaciones roscadas de la manguera de acero endurecido (o de otro material con una resistencia de choque similar).
- ▶ Siempre que se utilicen acoplamiento universales roscados (acoplamiento de garras), recomendamos que se coloquen pasadores de seguridad y se utilicen cables con válvula de seguridad para proteger la manguera ante posibles fallos de conexión de la manguera a la herramienta y entre mangueras.
- ▶ No dirija nunca una manguera de aire comprimido hacia sí mismo ni a otras personas. Para evitar el riesgo de lesiones, no utilice nunca una manguera de aire comprimido para limpiar el polvo, la suciedad, etc. de la ropa.

▲ **ADVERTENCIA** Latiguo de las mangueras de descarga

Si se afloja una manguera de descarga, puede dar latigazos, y la manguera o los chorros de líquido pueden golpear al operario, causando lesiones personales o la muerte. Para reducir este riesgo:

- ▶ Elimine siempre los pliegues antes de arrancar la bomba. Si la manguera de descarga está doblada, puede escurrirse de las manos del operario.
- ▶ Asegúrese siempre de que las conexiones de la manguera de descarga estén correctamente acopladas.
- ▶ Compruebe que la manguera de descarga y las conexiones no estén dañadas y sustitúyalas si es necesario.
- ▶ Asegúrese siempre de que el extremo de la salida de la manguera de descarga esté correctamente fijada.

▲ **ADVERTENCIA** Peligros de la instalación fija

La bomba está diseñada sobre todo para su uso en aplicaciones temporales (móviles). Si se utiliza la bomba en una instalación fija, las conexiones entre la bomba y el tubo se pueden aflojar y los chorros de líquido u otras partículas pueden golpear al operario y provocar lesiones corporales o la muerte.

- ▶ Utilice siempre una manguera flexible en las conexiones entre la bomba y el tubo.
- ▶ Nunca sujete la máquina por la manguera.

Funcionamiento, precauciones

▲ **PELIGRO** Peligro de explosión

Si una bomba entra en contacto con explosivos o gases explosivos, se podría producir una explosión. Al usar ciertos materiales en las piezas de la máquina, pueden producirse chispas y fuego. Las explosiones producirán lesiones graves o la muerte.

- ▶ Nunca utilice la máquina en un entorno explosivo.

▲ **ADVERTENCIA** Peligros de los líquidos inflamables

Si se bombea un líquido inflamable, los humos pueden explotar si se encienden. Esto puede provocar lesiones corporales o la muerte.

- ▶ Nunca bombee líquidos inflamables.

▲ **ADVERTENCIA** Bomba caliente

Si la salida de descarga se cierra al bombear, la bomba se calentará. Si se está bombeando un líquido caliente, la bomba se puede calentar. Si se toca una bomba caliente, puede provocar quemaduras y lesiones corporales.

- ▶ No utilice nunca la bomba si la salida de descarga está cerrada.
- ▶ Evite tocar la bomba si se está bombeando un líquido caliente.

▲ **PELIGRO** Propulsor sin protección

Un propulsor sin protección puede ocasionar lesiones personales graves

- ▶ Nunca utilice la máquina sin el filtro de succión y la placa base.

▲ **ADVERTENCIA** Peligros de la parada de emergencia

Si se produce una situación de emergencia durante el bombeo y la bomba no se para inmediatamente, pueden producirse lesiones corporales o la muerte.

- ▶ Monte una válvula de conexión/desconexión en la manguera del suministro de aire, lo más cerca posible de la bomba.
- ▶ Active la válvula de conexión/desconexión si se produce una situación de emergencia.

▲ **ADVERTENCIA** Movimientos inesperados

Cuando está funcionando, la bomba puede moverse de forma inesperada. Los accesorios pueden romperse por fatiga después de un cierto tiempo de uso. Los movimientos repentinos e inesperados pueden provocar lesiones. Asimismo, si alguien pierde el equilibrio o resbala, podría sufrir lesiones.

- ▶ Preste atención para no perder el equilibrio al sumergir o sacar la bomba del líquido y utilice un dispositivo de elevación adecuado.
- ▶ Inspeccione siempre el equipo antes de usarlo. No utilice el equipo si cree que puede estar dañado.
- ▶ Compruebe que la bomba y sus accesorios estén limpios y que no tengan grasa ni aceite.
- ▶ Las piezas móviles pueden provocar aplastamientos y cortes; no compruebe nunca los diámetros interiores ni los conductos con las manos o los dedos.
- ▶ No golpee nunca ni maltrate el equipo.
- ▶ Compruebe regularmente el desgaste de los accesorios y compruebe si hay signos de daños o grietas visibles.
- ▶ Preste atención y fíjese en lo que está haciendo.

▲ ADVERTENCIA Proyectiles

Durante el funcionamiento, las partículas o los chorros de líquido pueden actuar como proyectiles y provocar daños personales al golpear al operario o a otras personas. Para reducir estos riesgos:

- ▶ Utilice un equipo de protección personal aprobado y un casco de seguridad, incluida la protección ocular contra impactos con protección lateral.
- ▶ Asegúrese de que las personas no autorizadas no entren en la zona de trabajo.
- ▶ Mantenga el lugar de trabajo libre de objetos extraños.
- ▶ Los chorros de líquido del tubo de descarga pueden contener partículas sólidas impulsadas a gran velocidad. No dirija el chorro de líquido hacia otras personas.

▲ ADVERTENCIA Peligros de deslizamiento, desconexión y caída

Hay riesgo de deslizamiento, desconexión o caída, por ejemplo desconexión de las mangueras u otros objetos. El deslizamiento, la desconexión y la caída pueden provocar lesiones. Para reducir este riesgo:

- ▶ Asegúrese siempre de que no haya mangueras ni otros objetos que obstaculicen su paso o el de otras personas.
- ▶ Asegúrese de estar siempre en una posición estable, con los pies separados a la misma distancia que la anchura de los hombros, y con el peso del cuerpo equilibrado.

▲ PELIGRO Riesgos relacionados con la electricidad

La máquina no está aislada eléctricamente. Si la máquina entra en contacto con la electricidad, podría provocar lesiones graves o la muerte.

- ▶ No utilice nunca la máquina cerca de un cable eléctrico ni otra fuente de electricidad.
- ▶ Compruebe que no haya cables u otras fuentes de electricidad ocultos en el área de trabajo.

▲ ADVERTENCIA Encendido involuntario

El encendido involuntario de la máquina puede producir lesiones.

- ▶ Mantenga las manos alejadas del dispositivo de puesta en marcha y parada hasta que esté listo para arrancar la máquina.
- ▶ Sepa cómo apagar la máquina en caso de producirse una emergencia.
- ▶ Detenga inmediatamente la máquina en caso de interrupción de la alimentación.

▲ ADVERTENCIA Riesgos relacionados con el ruido

Los altos niveles de ruido pueden producir pérdida de audición permanente e incapacitante y otros problemas tales como acúfenos (vibración, zumbido, silbido o ronroneo en los oídos). Para reducir los riesgos y evitar un aumento innecesario de los niveles de ruido:

- ▶ Es esencial hacer la evaluación del riesgo de estos peligros y la puesta en práctica de los controles adecuados.
- ▶ Maneje y conserve la máquina según lo recomendado en estas instrucciones.
- ▶ Utilice siempre protección para los oídos.

Mantenimiento, precauciones

▲ ADVERTENCIA Modificación de la máquina

Cualquier modificación de la máquina puede provocar daños corporales a usted y a otras personas.

- ▶ Nunca modifique la máquina. Una máquina modificada no estará cubierta por la garantía ni por la responsabilidad del producto.
- ▶ Utilice siempre piezas y accesorios originales.
- ▶ Cambie las piezas dañadas inmediatamente.
- ▶ Sustituya los componentes gastados con la debida antelación.

Almacenaje, precauciones

- ◆ Guarde la máquina y las herramientas en un lugar seguro, fuera del alcance de los niños y bajo llave.

Visión general

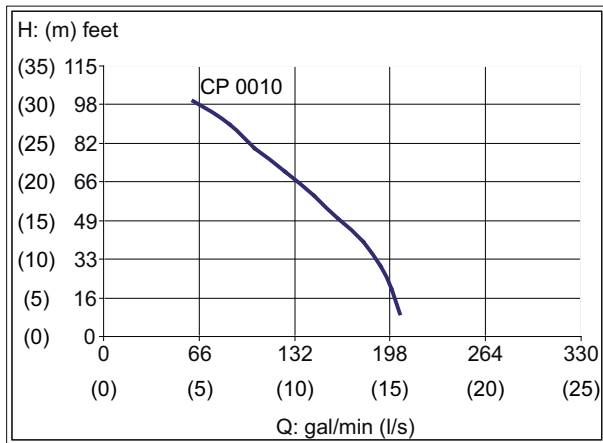
Para reducir el riesgo de que usted u otras personas padezcan lesiones graves o la muerte, lea las Instrucciones de seguridad y funcionamiento antes de instalar, usar, reparar o cambiar la máquina o de realizar su mantenimiento.

Diseño y funcionamiento

La bomba centrífuga CP 0010 está diseñada para bombear líquidos relativamente limpios, tales como agua y líquidos refrigerantes. No se recomienda bombear líquidos con una temperatura superior a 212 °F (100 °C). No bombee líquidos abrasivos. No está permitido ningún otro uso. El CP 0010 está adaptada para cubrir distintas necesidades de caudal y carga de presión; consulte el siguiente diagrama.

El CP 0010 es sumergible, lo que significa que puede funcionar totalmente sumergida en el medio bombeado. El propulsor CP 0010 está moldeado en arena en bronce de aluminio y está propulsado por un motor neumático. El aire comprimido atraviesa un filtro de aire que evita que entren materias extrañas en la bomba. El engrasador integrado ofrece una lubricación continua.

El diagrama es válido a 6 bar (87 psi) y cuando se bombea desde el nivel de la placa base.

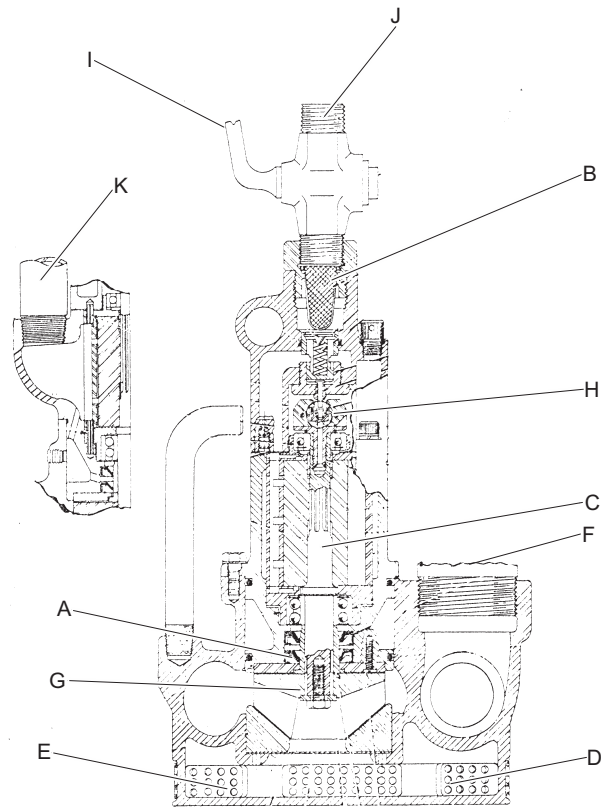


H: Altura ft (m)

Q: Caudal imp gal/min (l/s)

AVISO La capacidad de la bomba cambia y la tabla anterior no será exacta si se utiliza una presión de aire inferior a la recomendada, o si la viscosidad del líquido bombeado es distinta a la del agua.

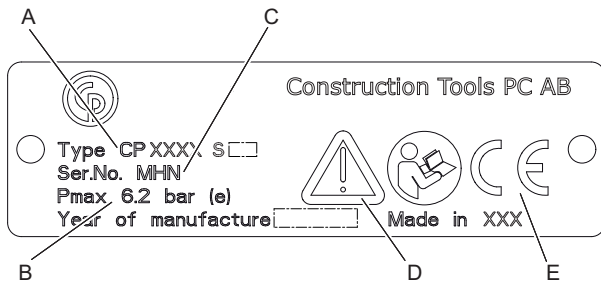
Piezas principales



- A. Retén del eje
- B. Filtro de aire
- C. Motor
- D. Pantalla de filtros
- E. Toma para líquidos
- F. Salida de descarga
- G. Propulsor
- H. Regulador
- I. Válvula
- J. Toma de aire
- K. Salida de aire

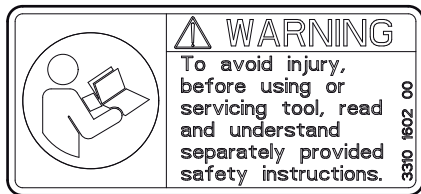
Etiquetas

Placa de datos



- A. Tipo de máquina
- B. Presión de aire comprimido máxima permitida
- C. Número de serie
- D. El símbolo de atención unido al símbolo del libro significa que el usuario debe leer las instrucciones de seguridad y de funcionamiento antes de usar la máquina por primera vez.
- E. El símbolo CE indica que la máquina tiene la aprobación de la CE. Consulte la declaración de la CE que se suministra con la máquina para obtener más información. Si el símbolo CE no está, significa que la máquina no tiene la aprobación de la CE.

Etiqueta de seguridad



Para evitar lesiones, antes de usar o de reparar la herramienta, lea y comprenda las instrucciones de seguridad proporcionadas por separado.

Instalación

Preparación

Asegúrese siempre de que la bomba esté estable sobre una superficie llana.

Dependiendo de las condiciones de la obra, la bomba se puede instalar de varias formas.

Si la salida del escape y de aire está sobre la superficie del líquido:

- ◆ La bomba se puede conectar directamente.

Si la bomba se sumerge en el medio bombeado:

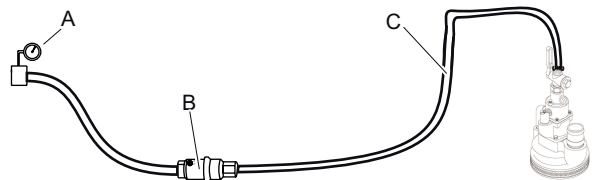
- ◆ Encienda la bomba antes de sumergirla en el líquido.
- ◆ Si se coloca una manguera de escape en la salida del escape y del aire, la bomba se puede sumergir y encender a continuación.

AVISO La bomba no se debe encender ni parar bajo el agua a menos que la salida del aire de escape tenga una manguera.

Instalación fija

La bomba está diseñada sobre todo para su uso en aplicaciones temporales (móviles). Si se utiliza la bomba en una instalación fija, asegúrese de que las conexiones entre la bomba y el tubo se hagan con una manguera flexible.

Mangueras y conexiones



- A. Fuente de aire comprimido
 - B. Separador de agua (opcional)
 - C. Manguera de aire comprimido de un máximo de 10 feet (3 metros) entre el separador de agua y la máquina.
- ◆ Compruebe que utiliza la presión correcta de funcionamiento recomendada, 87 psig (6 bar).
 - ◆ No debe sobrepasarse la presión máxima de aire admisible, 90 psig (6,2 bar).
 - ◆ Quite las impurezas de la manguera de aire comprimido antes de conectarla a la máquina.
 - ◆ Escoja una manguera de tamaño adecuado de entre las opciones disponibles y conéctela a la salida del agua de la bomba. Para tener un caudal máximo en las bombas CP, se recomienda una manguera de 3 in. (76 mm).
 - ◆ Seleccione las dimensiones y la longitud correctas de la manguera de aire comprimido. Para mangueras con longitudes de hasta 100 feet (30 metros), debe utilizarse una manguera con un diámetro interno mínimo de 3/4 in. (19 mm). Si la longitud de la manguera es de 100 a 330 feet (30 a 100 metros), debe utilizarse una manguera con un diámetro interno mínimo de 1 in. (25 mm).

Métodos para evitar la congelación

Puede acumularse hielo en el motor neumático cuando la temperatura ambiente es de 32-50 °F (0-10 °C) y la humedad relativa es alta.

Tome la siguiente medida para neutralizar el riesgo de formación de hielo:

- ◆ Utilice un separador de agua.

Lubricación

Para tener un funcionamiento sin problemas, es necesaria la lubricación continua del motor de aire. Antes de usar la máquina y después de cada ocho horas de servicio, quite el tapón del aceite y llene el depósito con aceite recomendado; ver más abajo.

Lubricante	Margen de temperatura °F (°C)	Grado de viscosidad
Aceite para herramientas de aire	≤100 (≤38)	100-150 SUS (ISO VG 22-32)
Aceite para herramientas de aire	>100 (>38)	200-300 SUS (ISO VG 46-48)

Grasa

Utilice una grasa para cojinetes de alta calidad recomendada para cojinetes de bolas.

AVISO La grasa automotriz para bombas de agua está diseñada para su uso con agua caliente y es demasiado compacta para usarla en una bomba con líquidos fríos.

Ajuste del engrasador

La válvula del engrasador está configurado de fábrica para suministrar aproximadamente seis onzas (180 g) de aceite en cada servicio de ocho horas. Compruebe la lubricación sosteniendo un trozo de papel limpio delante del escape del aire mientras funciona la bomba. Después de unos cinco segundos deben aparecer trazas de aceite en el papel.

Si es necesario el reajuste, proceda de la forma siguiente:

- 1) Quite el tapón del aceite y drene todo el aceite del depósito.
- 2) Desatornille y quite las cuatro tuercas con arandelas de seguridad que sujetan el alojamiento del regulador al del motor y desmonte el alojamiento del regulador.
- 3) Utilice una llave Allen de 1/8 in. para girar el tapón del orificio (poner el tornillo en el agujero perforado). Gire a la derecha para reducir el caudal. Gire a la izquierda para aumentar el caudal.
- 4) Vuelva a montar, rellene y compruebe la lubricación como se ha descrito anteriormente.

AVISO No limite el caudal del todo, ya que la falta de lubricación provocará rápidamente un fallo en la bomba.

Funcionamiento

▲ ADVERTENCIA Encendido involuntario

El encendido involuntario de la máquina puede producir lesiones.

- ▶ Mantenga las manos alejadas del dispositivo de puesta en marcha y parada hasta que esté listo para arrancar la máquina.
- ▶ Sepa cómo apagar la máquina en caso de producirse una emergencia.
- ▶ Detenga inmediatamente la máquina en caso de interrupción de la alimentación.

▲ ADVERTENCIA Peligros de los líquidos inflamables

Si se bombea un líquido inflamable, los humos pueden explotar si se encienden. Esto puede provocar lesiones corporales o la muerte.

- ▶ Nunca bombee líquidos inflamables.

Preparaciones antes de la puesta en marcha

- > Limpie con aire la manguera del aire comprimido antes de conectarla a la bomba.
- > Si no se ha utilizado la bomba durante mucho tiempo, vierta aproximadamente 1 3/4 oz (5 cl) de aceite directamente en la toma de aire de la bomba. Se garantiza así una buena lubricación desde el principio.
- > Compruebe que no haya agua ni otras impurezas en el aire comprimido. Cuando se usa un silenciador es muy importante que el aire sea seco, ya que el silenciador aumenta el riesgo de formación de hielo.

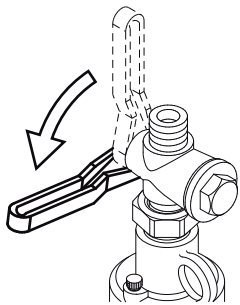
Puesta en marcha y parada

▲ **ADVERTENCIA** Latigazo de las mangueras de descarga

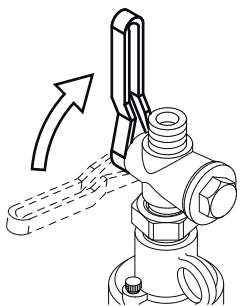
Si se afloja una manguera de descarga, puede dar latigazos, y la manguera o los chorros de líquido pueden golpear al operario, causando lesiones personales o la muerte. Para reducir este riesgo:

- ▶ Elimine siempre los pliegues antes de arrancar la bomba. Si la manguera de descarga está doblada, puede escurrirse de las manos del operario.
- ▶ Asegúrese siempre de que las conexiones de la manguera de descarga estén correctamente acopladas.
- ▶ Compruebe que la manguera de descarga y las conexiones no estén dañadas y sustitúyalas si es necesario.
- ▶ Asegúrese siempre de que el extremo de la salida de la manguera de descarga esté correctamente fijada.

Puesta en marcha y parada



Encienda la bomba conectándola a la unidad de potencia y girando el dispositivo de puesta en marcha y parada.



Pare la bomba girando el dispositivo de puesta en marcha y parada y desconectándolo de la unidad de potencia.

En funcionamiento

- > Se debe hacer lo siguiente al iniciar cada turno:
 - > Llene el depósito con aceite recomendado.
 - > Compruebe que funciona la dosificación del aceite, sosteniendo un trozo de papel limpio delante de la salida de aire del escape. Después de unos cinco segundos deben aparecer trazas de aceite en el papel. Si es necesario, ajuste la dosificación del aceite; consulte el apartado "Ajuste del engrasador".
- > Si se deja que el líquido se congele dentro de la bomba, la bomba puede dañarse.
- > No utilice la bomba en seco durante mucho tiempo, ya que dañaría los retenes.
- > Si se ha utilizado la bomba en agua corrosiva o contaminada, se deberá hacer funcionar en agua limpia durante unos minutos después del uso.

Mantenimiento

El mantenimiento regular es un requisito esencial para el uso seguro y eficaz de la máquina. Siga las instrucciones de mantenimiento detenidamente.

- ◆ Utilice sólo piezas originales. Cualquier daño o defecto originado por la utilización de piezas no autorizadas no estará cubierto por la garantía ni por la responsabilidad del producto.
- ◆ Al limpiar las piezas mecánicas con un disolvente, asegúrese de cumplir la normativa de salud y seguridad en el trabajo y de que haya la suficiente ventilación.
- ◆ Para realizar una reparación más completa de la máquina, acuda al taller autorizado más cercano.

A diario

Antes de hacer el mantenimiento de la bomba, apague siempre el suministro de aire. Luego desconecte la manguera de aire de la máquina.

- ◆ Limpie e inspeccione la máquina y sus funciones cada día antes de empezar a trabajar.
- ◆ Realice una inspección general para determinar si hay fugas o desperfectos.
- ◆ Compruebe que la boquilla de admisión de aire esté apretada y que el acoplamiento de garras no esté dañado.
- ◆ Cambie las piezas dañadas inmediatamente.
- ◆ Sustituya los componentes dañados o gastados en su momento.

- ◆ Asegúrese de que todos los equipos fijados y relacionados, tales como mangueras, separadores de agua y lubricadores estén en buen estado.

Mantenimiento periódico

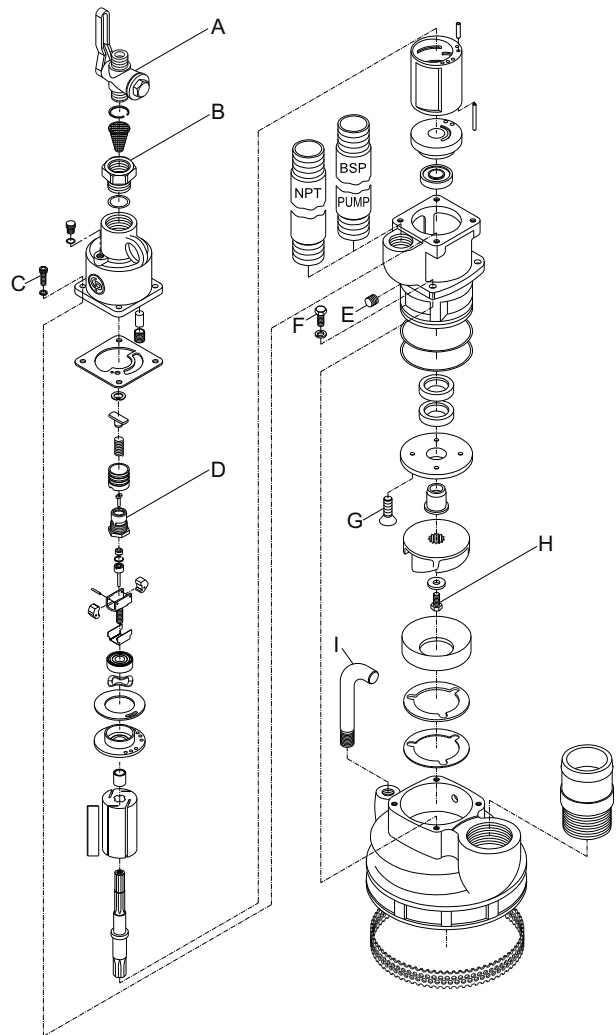
Como cada aplicación es distinta, la frecuencia y el grado de mantenimiento se definen mejor basándose en el rendimiento anterior. Conservar un registro detallado del mantenimiento a partir del rendimiento anterior ayuda a determinar los siguientes intervalos de mantenimiento preventivos.

Mantenimiento periódico				
		Intervalo de tiempo, horas de la bomba		
Punto de control	Realizar controles	Cada 8	Cada 40	Cada 400
Mangueras y conexiones	Fugas, daños	X		
Filtro de entrada	Obstrucción, daños		X	
Uniones roscadas	Estanqueidad		X	
Bomba, completa	-			X
Engrasador	Nivel de aceite, funcionamiento	X		
*Cavidad de grasa	Nivel de grasa		X	

*Consulte el apartado “Precauciones para el desmontaje y el montaje”

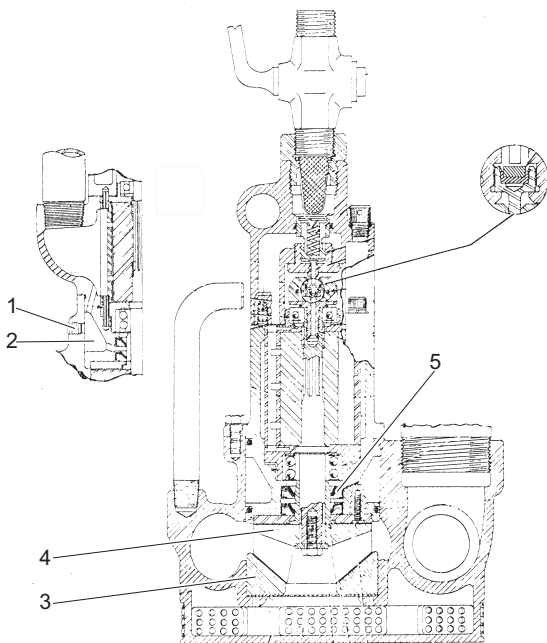
En caso de avería o de menor rendimiento de la bomba, compruebe la causa y repare la avería. Se recomienda hacer las reparaciones en un taller.

Pares de apriete



- A. Válvula, 40-54 Nm
- B. Casquillo de la entrada de aire, 162-190 Nm
- C. Tornillo, 11-14 Nm
- D. Soporte - regulador, 40-54 Nm
- E. Tapón, 13-19 Nm
- F. Tapón de tornillo, 140-150 Nm
- G. Tornillo, 70- 80 Nm
- H. Perno, 19-22 Nm
- I. Empuñadura, 40-54 Nm

Precauciones para el desmontaje y el montaje



- ◆ Siempre que se desmonte la bomba, limpie los cojinetes de bolas y la grasa antigua de las demás piezas. Utilice grasa recomendada, reembale los cojinetes, recubra las piezas del regulador y todas las piezas que hay entre la placa final inferior y el impulsor.

Quite el tapón de tubo (1) del alojamiento de la bomba y llene la cavidad de la grasa (2) con grasa recomendada. No coloque boquilla de engrase, ya que así presurizaría la cavidad y dañaría los retenes.

AVISO La grasa automotriz para bombas de agua está diseñada para su uso con agua caliente y es demasiado compacta para usarla en una bomba con líquidos fríos.

- ◆ Al cambiar los nuevos retenes del eje, el retén interno se debe asentar sobre el resalte de la caja del motor; el retén externo debe presionar a nivel de la caja del motor. Si se cambian los retenes del eje debido a una fuga, se deberá cambiar también el manguito del impulsor (5).

- ◆ Al volver a montar la bomba, debe haber una separación de 0,007 in. a 0,012 in. (0,18 a 0,30 mm) entre las superficies angulares de la placa de desgaste inferior (3) y el impulsor (4). Si la holgura es superior a 0,012 in. (0,30 mm), añada laminillas de ajuste con el grosor adecuado debajo de la placa de desgaste inferior. Asegúrese de que las ranuras de las laminillas de ajuste estén alineadas con los tres orificios de expulsión del alojamiento de la bomba.
- ◆ Al montar el motor en la caja del motor, la placa final superior debe sobresalir sobre la caja del motor entre 0,001 in. y 0,003 in. (0,03 y 0,08 mm). Si no es así, añada laminillas de ajuste según sea necesario.
- ◆ Recubra las estrías del eje rotor con grasa de buena calidad de bisulfuro de molibdeno (MoS_2).
- ◆ El cuerpo del regulador se coloca en el rotor con rosca a la izquierda.

Localización y resolución de problemas

La pérdida de potencia y la avería del motor pueden ser consecuencia de elementos externos a la bomba. Compruebe:

- ◆ Baja presión de aire en la bomba. Se necesita una presión de aire 90 psi (6,2 bar) en la bomba, con el motor funcionando al máximo.
- ◆ Menor potencia del compresor.
- ◆ Drenaje excesivo en el conducto de suministro.
- ◆ Uso de mangueras o conexiones de tamaño insuficiente.

Si se observa que las condiciones anteriores son correctas, compruebe por orden lo siguiente:

- 1) Filtro de aire: desmonte, limpie y cambie.
- 2) Lubricación del motor: Llene el depósito de aceite, desconecte la manguera y vierta una pequeña cantidad de aceite recomendado en la entrada de aire. Compruebe el aceite del aire del escape como se describe; consulte el ajuste del engrasador.
- 3) Propulsor: Puede que haya arena debajo del propulsor o entre el propulsor y el anillo de desgaste, atascando la bomba.
Para corregirlo:
Levante la bomba justo por encima del agua, dejando que el agua de la manguera de descarga haga el barrido a través de la bomba, para que puedan salir las partículas.
Si aun así no funciona, desmonte y examine la bomba. Consulte el apartado "Precauciones para el desmontaje y el montaje".
- 4) Formación de hielo: La formación de hielo en la cámara y en el tubo de escape está causada por la entrada de humedad en el motor o en la cámara de escape. Compruebe la estanqueidad del agua en las conexiones de entrada y de escape de aire. Asegúrese de que el extremo del tubo de escape o de la manguera estén suficientemente por encima del agua.

- > Cuando tenga que volver a utilizar una bomba que ha estado almacenada, vierta un poco de aceite directamente en la toma de aire antes de encender la bomba.

Desechar

Una máquina usada se debe manipular y desechar de tal forma que se pueda reciclar la mayor cantidad posible del material, haya la menor influencia negativa posible en el medio ambiente y se cumplan las restricciones municipales.

Almacenaje

Preparación de la bomba para su almacenamiento

- > Después del uso es importante lavar la bomba con un líquido limpio y neutro. Esto es especialmente importante si se ha utilizado para bombear líquidos ácidos, salinos o muy contaminados o agresivos.
- > Cuando la bomba se va a almacenar durante 24 horas o más, se debe lubricar el motor neumático para protegerlo de la corrosión.
- > Vierta aproximadamente 1 dl de aceite anticorrosivo directamente en la toma de aire de la bomba. Conecte la bomba a la línea de aire comprimido y hágala funcionar un par de segundos. Debe funcionar a muy baja velocidad, para distribuir el aceite anticorrosivo dentro del motor neumático.
- > Después de lubricar con aceite anticorrosivo, se debe tapar la toma de aire.

Especificaciones técnicas

Datos de la máquina

Tipo	Peso lb (kg)	Altura in. (mm)	Longitud in. (mm)	Anchura in. (mm)	Consumo de aire (6 bar) cfm (l/s)
CP 0010	33 (15)	17½ (445)	8¼ (210)	9 (229)	100 (47)

Tipo	Entrada de descarga	Salida de descarga in.	Toma de aire in. (mm)	Salida de aire in. (mm)
CP 0010	-	2	¾, NPT (20)	1, NPT (25)

Declaración de ruidos

Nivel de potencia acústica garantizado **L_w** según EN ISO 3744, de conformidad con la directiva 2000/14/CE.

Nivel de presión acústica **L_p** según EN ISO 11203.

Estos valores declarados se obtuvieron mediante pruebas de laboratorio, de acuerdo con la directiva o las normas indicadas, y son adecuados para la comparación con los valores declarados de otras herramientas probadas de acuerdo con dicha directiva o dichas normas. Estos valores declarados no son adecuados para su uso en evaluaciones de riesgo, por lo que los valores medidos en los lugares de trabajo individuales pueden resultar superiores. Los valores de exposición reales y el riesgo de sufrir daños experimentados por cada usuario son únicos y dependen del modo en que éste trabaja, el material con el que utiliza la máquina, así como el tiempo de exposición y el estado físico del usuario y el estado de la máquina.

Nuestra empresa, Construction Tools PC AB, no se hace responsable de las consecuencias de utilizar los valores declarados en lugar de valores que reflejen la exposición real, en una evaluación de riesgos individual en una situación del lugar de trabajo sobre la que no tenemos control.

Datos sobre el ruido

Tipo	Ruido	
	Valores declarados	
	Presión acústica	Potencia acústica
	EN ISO 11203	2000/14/CE
	L_p r=1m dB(A) rel 20 µPa	L_w garantizado dB(A) rel 1 pW
CP 0010	109	122

Declaración CE de conformidad

Declaración CE de conformidad (Directiva 2006/42/CE)

Construction Tools PC AB declara por la presente que las máquinas detalladas a continuación se ajustan a las disposiciones de las Directivas 2006/42/CE (Directiva sobre máquinas) y 2000/14/CE (Directiva sobre el ruido), y a las normas armonizadas mencionadas más abajo.

Bombas centrífugas	Nivel de potencia acústica garantizado [dB(A)]	Nivel de potencia acústica medido [dB(A)]	Pmax (bar)
CP 0010	122	120	6.2

Se han aplicado las siguientes normas armonizadas:

- ◆ EN 809:1998

Se han aplicado también las siguientes otras normas:

- ◆ 2000/14/EC, Appendix V

Representante autorizado para la documentación técnica:

Per Forsberg
Construction Tools PC AB
Dragonvägen 2
Kalmar

Vicepresidente de diseño y desarrollo:

Erik Sigfridsson

Fabricante:

Construction Tools PC AB
Box 703
391 27 Kalmar
Sweden

Lugar y fecha:

Kalmar, 2014-12-09

PORTUGUÊS

Índice

Introdução	65
Acerca das instruções de segurança e operação	65
Instruções de segurança	66
Palavras de avisos de segurança.....	66
Precauções e habilitações pessoais.....	66
Instalação, precauções.....	66
Operação, precauções.....	67
Manutenção, precauções.....	68
Armazenamento, precauções.....	68
Visão geral	69
Concepção e função.....	69
Peças principais.....	69
Autocolantes.....	70
Instalação	70
Preparação.....	70
Instalação fixa.....	70
Mangueiras e ligações.....	70
Métodos para evitar o congelamento.....	71
Lubrificação.....	71
Operação	71
Preparações antes de arrancar.....	72
Arranque e paragem.....	72
Funcionamento.....	72
Manutenção	72
Diariamente.....	73
Manutenção periódica.....	73
Binários de aperto.....	74
Cuidados na desmontagem e montagem.....	75
Diagnóstico e reparação de avarias	75
Armazenamento	76
Preparar a bomba para armazenamento.....	76
Abate	76
Dados técnicos	77
Dados da máquina.....	77
Declaração de ruído.....	77
Dados de ruído.....	77
Declaração de Conformidade da CE	78
Declaração de Conformidade da CE (Directiva da CE 2006/42/CE).....	78

Introdução

Obrigado por escolher os produtos da marca Chicago Pneumatic. Por mais de um século, a marca Chicago Pneumatic tem representado desempenho e inovação na indústria das ferramentas pneumáticas.

Hoje a marca encontra-se em todo o mundo com uma gama de ferramentas pneumáticas e hidráulicas que inclui martelos demolidores, perfuradores de rocha, escarificadores, escavadoras de argila, picadores e extractores, arrancadores de rebites, bombas e muito mais.

A marca Chicago Pneumatic está associada a produtos poderosos e confiáveis que são fáceis de manter e que justificam o investimento.

Para mais informações, visite www.cp.com

Construction Tools PC AB
Box 703
391 27 Kalmar
Sweden

Acerca das instruções de segurança e operação

O objectivo das instruções é dar-lhe conhecimentos sobre como utilizar a bomba de um modo eficiente e seguro. As instruções dão-lhe também conselhos e indicações sobre como efectuar manutenções regulares à bomba.

Antes de utilizar a bomba pela primeira vez tem obrigatoriamente que ler estas instruções cuidadosamente e compreendê-las na sua totalidade.

Instruções de segurança

Para reduzir o risco de ferimentos graves ou morte, para si próprio ou para outros, leia e compreenda as instruções de Segurança e operação antes de instalar, operar, reparar, fazer manutenção ou mudar acessórios na máquina.

Afixe estas instruções de Segurança e operação nos locais de trabalho, forneça cópias aos empregados, e certifique-se de que todos lêem as instruções de Segurança e operação antes de operar a máquina, ou de prestar assistência à máquina.

Para além disso, o operador ou o empregador do operador deve avaliar os riscos específicos que podem estar presentes em resultado de cada utilização da máquina.

Palavras de avisos de segurança

As palavras de avisos de segurança Perigo, Atenção e Cuidado têm os seguintes significados:

PERIGO	Indica uma situação perigosa, a qual, se não for evitada, irá provocar a morte ou ferimentos graves.
ATENÇÃO	Indica uma situação perigosa, a qual, se não for evitada, poderá provocar a morte ou ferimentos graves.
CUIDADO	Indica uma situação perigosa, a qual, se não for evitada, poderá provocar ferimentos ligeiros ou moderados.

Precauções e habilitações pessoais

A operação ou manutenção da máquina só pode ser feita por pessoal com as habilitações e a formação necessárias. Este pessoal tem que ser fisicamente capaz de manusear o volume, o peso e a potência da ferramenta. Faça sempre uso do seu bom senso e da sua capacidade de avaliação das situações.

Equipamento pessoal de protecção

Use sempre equipamento de protecção aprovado. Os operadores, bem como todas as outras pessoas que se encontrem na zona de trabalho, devem usar equipamento de protecção, incluindo, no mínimo:

- > Capacete protector
- > Protecção auricular
- > Protecção para os olhos, resistente ao impacto e com protecção lateral
- > Protecção respiratória, quando necessário

- > Luvas protectoras
- > Botas protectoras adequadas
- > Fato de macaco de trabalho adequado, ou vestuário semelhante (não roupas largas) que cubra os braços e as pernas.

Drogas, álcool ou medicamentos

▲ ATENÇÃO Drogas, álcool ou medicamentos

Drogas, álcool ou medicamentos podem reduzir a sua capacidade de avaliação e de concentração. Reacções lentas e avaliações incorrectas podem provocar acidentes graves ou morte.

- ▶ Nunca use a máquina quando estiver cansado ou se tiver tomado drogas, álcool ou medicamentos.
- ▶ Ninguém que tenha tomado drogas, álcool ou medicamentos pode operar a máquina.

Instalação, precauções

▲ PERIGO Chicotada das mangueiras de ar

Um mangueira de ar comprimido que se solte pode causar ferimentos pessoais ou morte. Para reduzir este risco:

- ▶ Certifique-se de que as mangueiras de ar comprimido e as ligações não estão danificadas, e substitua-as se necessário.
- ▶ Certifique-se de que as mangueiras de ar comprimido e as ligações estão bem presas.
- ▶ Nunca transporte uma máquina pneumática segurando-a pela mangueira de ar.
- ▶ Nunca tente tirar uma mangueira de ar comprimido que esteja pressurizada. Primeiro, deve desligar a alimentação de ar comprimido directamente no compressor e, em seguida, deve purgar a máquina, activando o dispositivo de activação e desactivação.
- ▶ Não use ligações de desacoplamento rápido à entrada da ferramenta. Use peças de encaixe roscadas para mangueira, em aço endurecido (ou num material com uma resistência ao choque equivalente).
- ▶ Sempre que forem usadas ligações de acoplamento universal de torcer (ligações de acoplamento de gancho), recomendamos que sejam instalados pinos de travamento e que sejam usados cabos de segurança anti-chicoteamento como salvaguarda contra possíveis falhas da mangueira à máquina, ou de mangueira a mangueira.

- ▶ Nunca aponte uma mangueira de ar comprimido a si próprio ou a outra pessoa. Para evitar o risco de ferimentos, nunca utilize ar comprimido para soprar, por exemplo, poeiras, sujeira, etc. das suas roupas.

▲ ATENÇÃO Mangueira de descarga a chicotear

Uma mangueira de descarga que se solte pode chicotear livremente, e a mangueira ou os jactos de líquido podem atingir o operador e causar ferimentos ou morte. Para reduzir este risco:

- ▶ Elimine sempre os retorcimentos antes de dar arranque à bomba. Se a mangueira de descarga estiver torcida, pode ser forçada a sair das mãos do operador.
- ▶ Certifique-se sempre de que as ligações da mangueira de descarga estão correctamente ligadas.
- ▶ Certifique-se de que a mangueira de descarga e as respectivas ligações não estão danificadas, e substitua-as se necessário.
- ▶ Certifique-se sempre de que a extremidade de saída da mangueira de descarga está correctamente em segurança.

▲ ATENÇÃO Perigos da instalação fixa

A bomba destina-se principalmente a ser usada em aplicações temporárias (móveis). Se a bomba for usada numa instalação fixa, as ligações entre a bomba e a tubagem podem ficar frouxas e jactos de líquido ou outras partículas podem atingir o operador, causando ferimentos ou morte.

- ▶ Use sempre uma mangueira flexível nas ligações entre a bomba e a tubagem.
- ▶ Nunca pendure a bomba pela respectiva mangueira.

Operação, precauções

▲ PERIGO Perigo de explosão

Se uma bomba entrar em contacto com materiais explosivos ou com gases explosivos, poderá ocorrer uma explosão. Quando usar certos materiais em peças da máquina, pode ocorrer faíscas e ignição. As explosões podem provocar ferimentos graves ou morte.

- ▶ Nunca opere a máquina num ambiente explosivo.

▲ ATENÇÃO Perigos de líquidos inflamáveis

Se estiver a ser bombeado um líquido inflamável, então os vapores podem explodir se houver ignição. Isto pode causar ferimentos pessoais ou morte.

- ▶ Nunca bombeie líquidos inflamáveis.

▲ ATENÇÃO Bomba quente

Se a saída de descarga for fechada durante o bombeamento, então a bomba irá aquecer. Se estiver a ser bombeado líquido quente, então a bomba pode aquecer. Tocar numa bomba quente pode causar queimaduras e ferimentos.

- ▶ Nunca use a bomba se a saída de descarga estiver fechada.
- ▶ Evite tocar na bomba se estiver a ser bombeado líquido quente.

▲ PERIGO Impulsor desprotegido

Um impulsor desprotegido pode causar ferimentos pessoais graves

- ▶ Nunca opere a máquina sem que o filtro de sucção e a placa de base estejam aplicados.

▲ ATENÇÃO Perigos da paragem de emergência

Se acontecer uma situação de emergência durante o bombeamento, e se a bomba não for parada imediatamente, então podem ocorrer ferimentos ou morte.

- ▶ Instale uma válvula de ligar/desligar na mangueira flexível de abastecimento de ar comprimido, o mais perto possível da bomba.
- ▶ Se acontecer uma situação de emergência, active a válvula de ligar/desligar.

▲ ATENÇÃO Movimentos inesperados

Quando a bomba está em uso, pode mover-se de forma inesperada. Os acessórios podem partir-se devido a fadiga depois de um certo tempo de utilização. Movimentos súbitos e inesperados podem causar ferimentos. Para além disso, se perder o equilíbrio ou escorregar, isso poderá provocar ferimentos.

- ▶ Preste atenção para não perder equilíbrio quando estiver a mergulhar a bomba no líquido ou a puxá-la para fora do líquido: use equipamento de elevação adequado.
- ▶ Inspeccione sempre o equipamento antes de o usar. Nunca use o equipamento se suspeitar que está danificado.
- ▶ Certifique-se de que a bomba e o acessório estão limpos e sem massa consistente nem óleo.
- ▶ As peças em movimento podem esmagar e cortar, nunca verifique furos ou passagens com os seus dedos ou as suas mãos.
- ▶ Nunca bata com a bomba nem a maltrate.
- ▶ Verifique regularmente se não há desgaste nos acessórios, e procure sinais de danos ou rachas visíveis.
- ▶ Preste atenção e olhe para aquilo que está a fazer.

▲ ATENÇÃO Projécteis

Durante a operação partículas ou jactos de líquido poderão transformar-se em projécteis e causar ferimentos ao atingir o operador ou outras pessoas. Para reduzir estes riscos:

- ▶ Use equipamento pessoal de protecção e capacete de segurança, incluindo protecção para os olhos que seja resistente ao impacto e que tenha protecção lateral.
- ▶ Certifique-se de que não há pessoas não autorizadas na zona de trabalho.
- ▶ Mantenha o local de trabalho livre de objectos estranhos.
- ▶ Os jactos de líquido saídos da mangueira de descarga podem conter sólidos que se movimentam a grande velocidade. Não aponte os jactos de líquido a outras pessoas.

▲ ATENÇÃO Riscos de escorregar, tropeçar e cair

Há o risco de escorregar ou tropeçar ou cair, por exemplo tropeçar nas mangueira ou noutros objectos. Escorregar ou tropeçar ou cair pode causar ferimentos. Para reduzir este risco:

- ▶ Certifique-se sempre de que não há nenhuma mangueira ou outros objectos no seu caminho ou no caminho de outra pessoa.
- ▶ Certifique-se sempre de que mantém uma posição estável, com os pés afastados à distância dos seus ombros, e mantendo o peso do corpo equilibrado.

▲ PERIGO Perigo eléctrico

A máquina não tem isolamento eléctrico. Se a máquina entrar em contacto com fontes de electricidade, isso pode provocar ferimentos graves ou morte.

- ▶ Nunca opere a máquina ao pé de qualquer cabo eléctrico, ou de outra fonte de electricidade.
- ▶ Certifique-se de que não existem cabos ocultos, ou quaisquer outras fontes de electricidade, na área de trabalho.

▲ ATENÇÃO Arranque involuntário

O arranque involuntário da máquina pode provocar ferimentos.

- ▶ Mantenha as mãos longe do dispositivo de arranque e paragem até estar pronto para dar arranque à máquina.
- ▶ Aprenda a como desligar a máquina em caso de emergência.
- ▶ Pare a máquina imediatamente em todos os casos de interrupção de alimentação.

▲ ATENÇÃO Perigo de ruído

Níveis de ruído altos podem causar perda de audição permanente e deficiência na audição, bem como outros problemas tais como tinnitus (campainhas, zumbidos, apitos ou barulhos surdos nos ouvidos). Para reduzir os riscos e prevenir um aumento desnecessário nos níveis de ruído:

- ▶ É essencial a avaliação de risco destes perigos e a implementação de controlos adequados.
- ▶ Opere e faça a manutenção da máquina conforme recomendado nestas instruções.
- ▶ Use sempre protecção para a audição.

Manutenção, precauções

▲ ATENÇÃO Modificação da máquina

As modificações feitas à máquina poderão resultar em danos físicos para si ou terceiros.

- ▶ Nunca faça modificações à máquina. Máquinas modificadas não são cobertas pela garantia nem pela responsabilidade do produto.
- ▶ Use sempre peças e acessórios originais.
- ▶ Mude imediatamente quaisquer peças danificadas.
- ▶ Substitua atempadamente os componentes desgastados.

Armazenamento, precauções

- ◆ Guarde a máquina e as ferramentas num local seguro, fora do alcance de crianças e trancado.

Visão geral

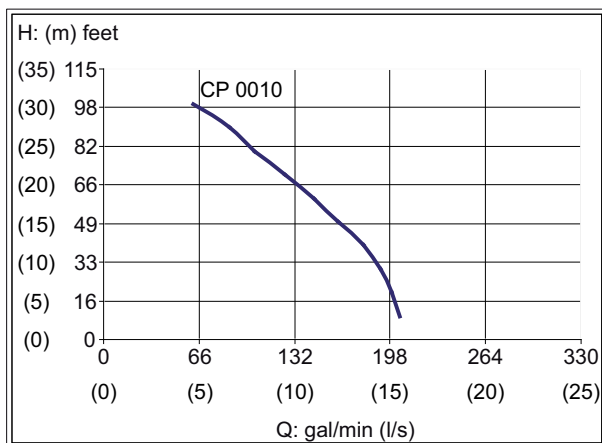
Para reduzir o risco de ferimentos graves ou morte para si ou para terceiros, antes de usar a máquina leia a secção das Instruções de Segurança, que está nas páginas anteriores deste manual.

Concepção e função

A bomba centrífuga CP 0010 destina-se a bombear líquidos relativamente limpos, tais como água e líquidos de arrefecimento. Não é recomendado bombear nenhum líquido com uma temperatura acima dos 212 °F (100 °C). Não bombeie líquidos abrasivos nem inflamáveis. Não é permitido outro tipo de uso. A CP 0010 está adaptada para dar resposta a necessidades diferentes em relação a caudal e altura estática (ver o diagrama abaixo).

A CP 0010 é submersível, o que quer dizer que pode trabalhar totalmente mergulhada no líquido a ser bombeado. O impulsor da CP 0010 é feito de bronze de alumínio fundido em molde de areia, e é impulsionado por um motor a ar. O ar comprimido flui através de um filtro de ar, o qual impede que quaisquer corpos estranhos presentes no ar comprimido entrem na bomba. O lubrificador integrado fornece lubrificação contínua.

O diagrama é válido a 6 bar (87 psi) e ao bombear a partir do nível da placa de base.

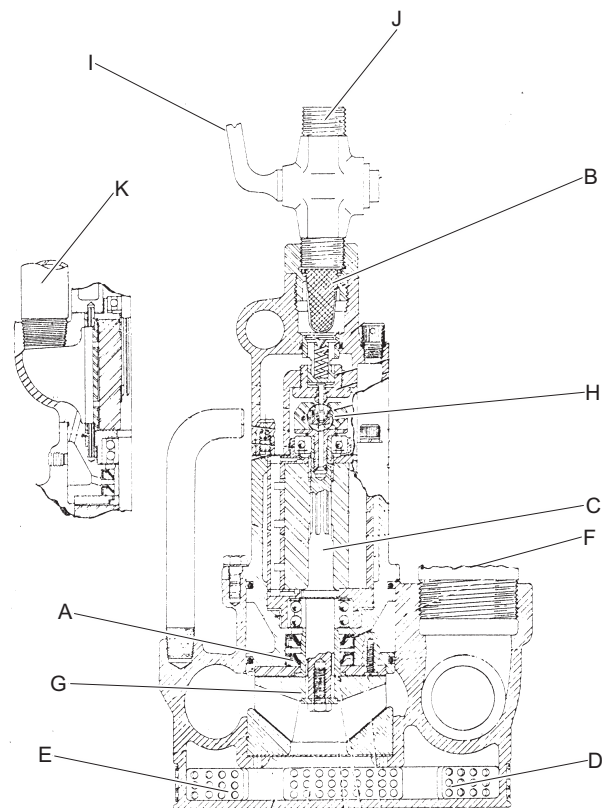


H: Altura de carga em feet (m)

Q: Caudal em imp gal/min (l/s)

AVISO Se for usada uma pressão de ar inferior à recomendada, ou se a viscosidade do líquido bombeado for diferente da viscosidade da água, então a capacidade da bomba irá alterar-se e a tabela acima não será exacta.

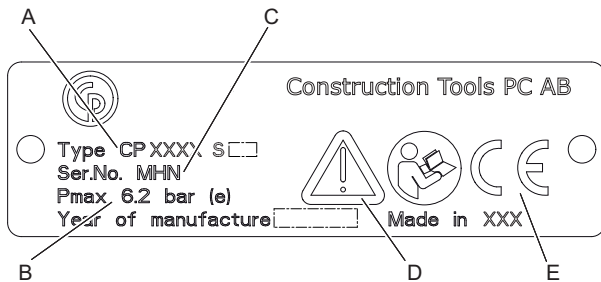
Peças principais



- A. Vedante do veio
- B. Filtro de ar
- C. Motor
- D. Malha do filtro
- E. Entrada de líquido
- F. Saída de descarga
- G. Impulsor
- H. Regulador
- I. Válvula
- J. Entrada de ar
- K. Saída de ar

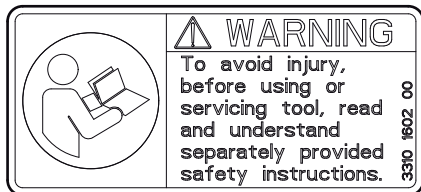
Autocolantes

Placa de dados



- A. Tipo de máquina
- B. Pressão máxima permitida de ar comprimido
- C. Número de série
- D. O símbolo de atenção, juntamente com o símbolo de livro, significa que o utilizador tem que ler as instruções de segurança e operação antes de poder utilizar o equipamento pela primeira vez.
- E. O símbolo CE significa que a máquina está aprovada pela CE. Consulte a Declaração CE que é fornecida com o equipamento para obter mais informações. Se o símbolo CE não estiver presente, isso significa que a máquina não está aprovada pela CE.

Autocolante de segurança



Para evitar ferimentos, antes de operar ou fazer manutenção na ferramenta, leia e compreenda as instruções de segurança, fornecidas em separado.

Instalação

Preparação

Certifique-se sempre de que a bomba assenta de forma estável, numa superfície horizontal.

Dependendo das condições no local dos trabalhos, a bomba pode ser instalada de formas diferentes.

Se a saída de ar de escape estiver localizada acima da superfície do líquido:

- ♦ A bomba pode ser posta a trabalhar directamente.

Se a bomba estiver mergulhada no líquido a ser bombeado:

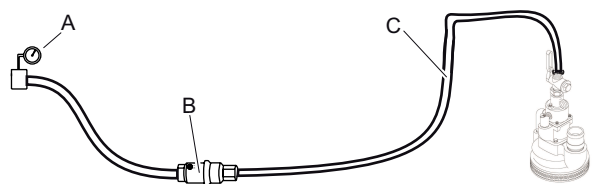
- ♦ Dê arranque à bomba antes de a mergulhar no líquido.
- ♦ Se estiver aplicada uma mangueira de escape à saída do ar de escape, então a bomba pode ser primeiro mergulhada no líquido e só depois ser-lhe dado arranque.

AVISO Se a bomba estiver debaixo de água, então não pode de maneira nenhuma ser-lhe dado arranque nem paragem, excepto se a saída do ar de escape tiver uma mangueira aplicada.

Instalação fixa

A bomba destina-se principalmente a ser usada em aplicações temporárias (móveis). Se a bomba for usada numa instalação fixa, certifique-se de que as ligações entre a bomba e a tubagem são feitas com uma mangueira flexível.

Mangueiras e ligações



- A. Gerador de ar comprimido
 - B. Separador de água (opcional)
 - C. Máx. de 10 feet (3 metros) de mangueira de ar comprimido entre o separador de água e o equipamento.
- ♦ Certifique-se de que está a utilizar a pressão de operação correcta e recomendada, de 87 psig (6 bar).
 - ♦ A pressão de ar máxima permitida, de 90 psig (6,2 bar), não pode nunca ser excedida.
 - ♦ Sobre quaisquer impurezas para fora da mangueira de ar comprimido antes de a ligar à máquina.
 - ♦ Escolha um tamanho de mangueira adequado de entre as opções disponíveis, e ligue-a à saída de água na bomba. Para obter o caudal máximo com as bombas CP, é recomendada uma mangueira de 3 in. (76 mm).

- ◆ Selecciono o diâmetro e o comprimento correctos para a mangueira de ar comprimido. Para comprimentos até 100 feet (30 metros), deverá ser utilizada uma mangueira com um diâmetro interno mínimo de $\frac{3}{4}$ in. (19 mm). Se a mangueira tiver entre 100 e 330 feet (30 e 100 metros) de comprimento, então deverá ser utilizada uma mangueira com um diâmetro interno mínimo de 1 in. (25 mm).

Métodos para evitar o congelamento

Poderá ocorrer a formação de gelo no motor a ar quando a temperatura do ar ambiente for de 32-50 °F (0-10 °C) e a humidade relativa for alta.

Tome a seguinte medida para neutralizar ainda mais o risco de formação de gelo:

- ◆ Use um separador de água.

Lubrificação

Para a operação sem problemas, é necessária a lubrificação contínua do motor a ar. Antes de começar a trabalhar, e depois de cada 8 horas de serviço, tire o bujão de óleo e encha o reservatório com óleo recomendado (ver abaixo).

Lubrificante	Temperaturas de funcionamento °F (°C)	Grau de viscosidade
Óleo para ferramenta pneumática	≤100 (≤38)	100-150 SUS (ISO VG 22-32)
Óleo para ferramenta pneumática	>100 (>38)	200-300 SUS (ISO VG 46-48)

Massa consistente

Use massa consistente de alta qualidade para rolamentos, recomendada para utilização em rolamentos de esferas.

AVISO Massa consistente para a bomba de água num automóvel é concebida para ser usada com água quente, e é portanto demasiado dura para ser usada numa bomba que opere com líquidos frios.

Afinação do lubrificador

A válvula do lubrificador vem definida de fábrica para aproximadamente 6 onças (180 g) de óleo em cada 8 horas de serviço. Certifique-se de que o doseador de óleo funciona correctamente, segurando uma folha de papel limpo à frente da saída do ar de escape, com a bomba em operação. Depois de terem passado cerca de 5 segundos, devem ser visíveis indícios de óleo no papel.

Se for necessário fazer novas afinações, faça o seguinte:

- 1) Tire o bujão do óleo e escoe todo o óleo para fora do reservatório.
- 2) Desenrosque e tire as 4 porcas com anilhas de aperto que fixam a carcaça do regulador à carcaça do motor, e tire a carcaça do regulador.
- 3) Use uma chave Allen de $\frac{1}{8}$ in. para rodar o bujão do orifício (acerte a rosca com o furo roscado). Rode no sentido dos ponteiros do relógio para reduzir o caudal. Rode no sentido contrário aos ponteiros do relógio para aumentar o caudal.
- 4) Volte a montar, volte a encher e verifique a lubrificação, conforme descrito acima.

AVISO Não restrinja o caudal totalmente, porque a falta de lubrificação irá resultar muito rapidamente na falha da bomba.

Operação

▲ ATENÇÃO Arranque involuntário

O arranque involuntário da máquina pode provocar ferimentos.

- ▶ Mantenha as mãos longe do dispositivo de arranque e paragem até estar pronto para dar arranque à máquina.
- ▶ Aprenda a como desligar a máquina em caso de emergência.
- ▶ Pare a máquina imediatamente em todos os casos de interrupção de alimentação.

▲ ATENÇÃO Perigos de líquidos inflamáveis

Se estiver a ser bombeado um líquido inflamável, então os vapores podem explodir se houver ignição. Isto pode causar ferimentos pessoais ou morte.

- ▶ Nunca bombeie líquidos inflamáveis.

Preparações antes de arrancar

- > Sopre quaisquer impurezas para fora da mangueira de ar comprimido antes de a ligar à máquina.
- > Se a bomba não tiver sido utilizada por um período de tempo mais prolongado, despeje cerca de 1¾ oz (5 cl) de óleo directamente na entrada de ar da bomba. Isto irá garantir uma boa lubrificação logo desde o início.
- > Certifique-se de que o ar comprimido está livre de água e de outras impurezas. É especialmente importante usar ar seco quando usar um silenciador, porque um silenciador aumenta o risco de formação de gelo.

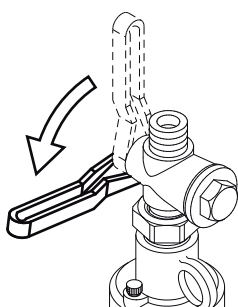
Arranque e paragem

⚠ ATENÇÃO Mangueira de descarga a chicotear

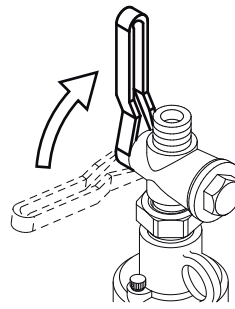
Uma mangueira de descarga que se solte pode chicotear livremente, e a mangueira ou os jactos de líquido podem atingir o operador e causar ferimentos ou morte. Para reduzir este risco:

- ▶ Elimine sempre os retorcimentos antes de dar arranque à bomba. Se a mangueira de descarga estiver torcida, pode ser forçada a sair das mãos do operador.
- ▶ Certifique-se sempre de que as ligações da mangueira de descarga estão correctamente ligadas.
- ▶ Certifique-se de que a mangueira de descarga e as respectivas ligações não estão danificadas, e substitua-as se necessário.
- ▶ Certifique-se sempre de que a extremidade de saída da mangueira de descarga está correctamente em segurança.

Arranque e paragem



Dê arranque à bomba, ligando-a ao gerador de ar comprimido e rodando o dispositivo de arranque e paragem.



Dê paragem à bomba, rodando o dispositivo de arranque e paragem e desligando-a do gerador de ar comprimido.

Funcionamento

- > Os procedimentos seguintes têm obrigatoriamente que ser executados no início de cada turno de trabalho:
 - > Encha o reservatório com óleo do tipo recomendado.
 - > Certifique-se de que o doseador de óleo funciona, segurando uma folha de papel limpo à frente da saída do ar de escape. Depois de terem passado cerca de 5 segundos, devem ser visíveis indícios de óleo no papel. Afine a dosagem de óleo conforme necessário; veja a secção “Afinação do lubrificador”.
- > Se deixar que o líquido congele dentro da bomba, isso poderá danificar bomba.
- > Não faça a bomba trabalhar a seco, porque isso irá de certeza danificar o vedante.
- > Se a bomba tiver sido usada em água corrosiva ou poluída, então tem obrigatoriamente que ser operada em água limpa durante alguns minutos depois da utilização.

Manutenção

Fazer manutenção regular à máquina é essencial para que a máquina possa continuar a ser utilizada com eficiência e em segurança. Siga cuidadosamente as instruções de manutenção.

- ◆ Utilize só peças autorizadas. Quaisquer danos ou mau funcionamento causados pela utilização de peças não autorizadas não estão cobertos pela Garantia ou pela Responsabilidade Legal do Produto.
- ◆ Quando limpar peças mecânicas com solvente, cumpra os regulamentos apropriados de Saúde e Segurança, e certifique-se de que há ventilação suficiente.
- ◆ Para fazer uma grande revisão/reparação à máquina, contacte a sua oficina autorizada mais próxima.

Diariamente

Antes de iniciar qualquer acção de manutenção na bomba, desligue sempre a alimentação de ar comprimido. Depois, remova a mangueira de ar do equipamento.

- ◆ Limpe e inspecione a máquina e o respectivo funcionamento todos os dias, antes de começar a trabalhar.
- ◆ Faça uma inspecção geral, procurando fugas e danos.
- ◆ Verifique se o bocal de entrada de ar está bem apertado, e se o acoplamento de garra não está danificado.
- ◆ Substitua imediatamente quaisquer peças danificadas.
- ◆ Substitua atempadamente os componentes danificados e gastos.
- ◆ Certifique-se de que todo o equipamento anexo e relacionado, como as mangueiras, separadores de água e lubrificadores, recebe a manutenção adequada.

Manutenção periódica

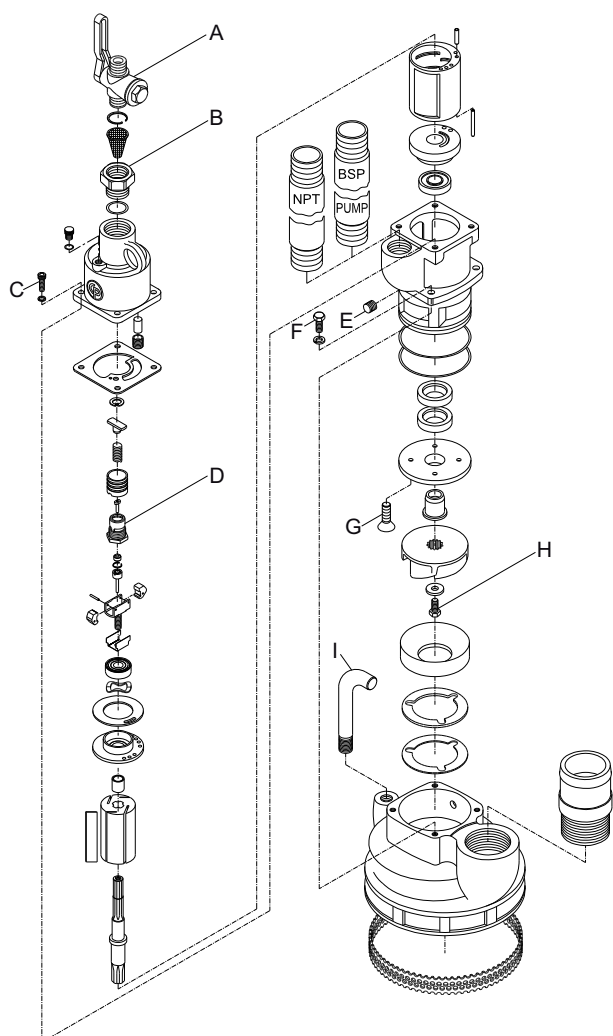
Porque todas as aplicações são diferentes, a melhor forma de definir a frequência e extensão da manutenção é com base em desempenhos passados. Manter registos de manutenção detalhados referentes a desempenhos passados, ajuda a definir os futuros intervalos de manutenção preventiva.

Manutenção periódica				
Intervalo de tempo, horas da bomba				
Ponto de verificação	Problemas a verificar	A cada 8 ^a	A cada 40 ^a	A cada 400 ^a
Mangueiras e ligações	Fugas, danos	X		
Filtro de entrada	Entupimento, danos		X	
União rosca	Estanquicidade		X	
Bomba, completa	-			X
Lubrificador	Nível de óleo, funcionamento	X		
*Cavidade de massa consistente	Nível da massa consistente		X	

*Ver a secção “Cuidados na desmontagem e na montagem”

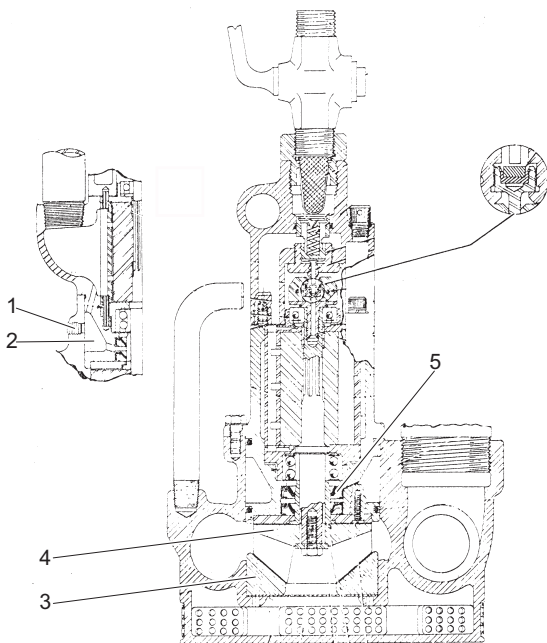
Em caso de avaria ou de agravamento do desempenho da bomba, encontre a causa e corrija o problema. Em circunstâncias ideais, as reparações devem ser feitas numa oficina.

Binários de aperto



- A. Válvula, 40-54 Nm
- B. Casquilho da entrada de ar, 162-190 Nm
- C. Parafuso, 11-14 Nm
- D. Gaiola - Regulador, 40-54 Nm
- E. Bujão, 13-19 Nm
- F. Tampão roscado, 140-150 Nm
- G. Parafuso, 70-80 Nm
- H. Perno, 19-22 Nm
- I. Pega, 40-54 Nm

Cuidados na desmontagem e montagem



- ◆ Sempre que a bomba for desmontada, limpe os rolamentos de esferas e limpe a massa consistente velha de todas as outras peças. Utilizando massa consistente do tipo recomendado, volte a encher os rolamentos, engordure as peças do regulador, e engordure todas as peças entre a placa da extremidade inferior e o impulsor.

Tire o bujão do tubo (1) na carcaça da bomba e encha a cavidade de massa consistente (2) com massa consistente do tipo recomendado. Não monte um bocal de lubrificação, porque se o fizer isso irá pressurizar a cavidade e danificar os vedantes.

AVISO Massa consistente para a bomba de água num automóvel é concebida para ser usada com água quente, e é portanto demasiado dura para ser usada numa bomba que opere com líquidos frios.

- ◆ Quando montar vedantes do veio novos, o vedante interior tem obrigatoriamente que assentar de encontro ao rebordo da carcaça do motor, e o vedante exterior tem que ficar comprimido embutido na carcaça do motor. Se os vedantes do veio forem substituídos devido a fugas, então a manga do impulsor (5) também tem que ser substituída.

- ◆ Ao voltar a montar a bomba, deverá haver uma folga de 0,007 in. a 0,012 in. (0,18 a 0,30 mm) entre as faces angulares da placa de desgaste inferior (3) e o impulsor (4). Se a folga exceder 0,012 in. (0,30 mm), então adicione a espessura necessária com calços debaixo da placa de desgaste inferior. Certifique-se de que as ranhuras dos calços ficam alinhadas com os 3 orifícios martelados na carcaça da bomba.
- ◆ Ao voltar a montar o motor dentro da carcaça do motor, a placa da extremidade superior tem obrigatoriamente que se projectar acima da carcaça do motor entre 0,001 in. e 0,003 in. (0,03 a 0,08 mm). Caso contrário, adicione calços conforme necessário.
- ◆ Engordure as ranhuras do veio rotor, com uma massa consistente de bissulfito de molibdénio (MoS_2) de boa qualidade.
- ◆ O corpo do regulador é aplicado no rotor por rosca esquerda.

Diagnóstico e reparação de avarias

A perda de potência e a falha do motor podem ser causadas por condições exteriores à bomba. Verifique o seguinte:

- ◆ Pressão de ar baixa na bomba. É precisa uma pressão de ar de 90 psi (6,2 bar) na bomba, com o motor a funcionar todo em aberto.
- ◆ Baixa produção do compressor pneumático.
- ◆ Escoamento excessivo na linha de alimentação.
- ◆ Utilização de mangueira ou de ligações de diâmetro insuficiente.

Se as condições acima listadas estiverem em ordem, faça as seguintes verificações por sequência:

- 1) Filtro do ar: desmontar, limpar e voltar a montar.
- 2) Lubrificação do motor: Encha o reservatório de óleo, desligue a mangueira e despeje uma pequena quantidade de óleo do tipo recomendado directamente dentro da entrada de ar. Verifique se há óleo no ar de escape, conforme descrito; veja a secção “Afinação do lubrificador”.
- 3) Impulsor: Pode estar alojada sujidade debaixo do impulsor, ou entre o impulsor e o anel de desgaste, fazendo com que a bomba perca velocidade até deixar de rodar.

Para corrigir:

Levante a bomba imediatamente acima da água, permitindo que a água na mangueira de descarga corra de volta para dentro da bomba, o que pode desalojar as partículas de sujidade.

Se mesmo assim a bomba não funcionar, desmonte e inspeccione a bomba. Ver a secção “Cuidados na desmontagem e na montagem”.

- 4) Formação de gelo: A formação de gelo na câmara de escape e na mangueira é causada pela entrada de humidade no motor ou na câmara de escape. Verifique a entrada de ar e as ligações do escape, certificando-se de que são à prova de água. Certifique-se de que a extremidade do tubo ou da mangueira de escape está bem acima da água.

- > Depois de lubrificar com óleo anti-corrosão, a entrada de ar tem obrigatoriamente que ser tapada com um bujão.
- > Quando uma bomba que tenha estado armazenada for posta novamente em utilização, despeje uma pequena quantidade de óleo directamente dentro da entrada de ar, antes de dar arranque à bomba.

Abate

Uma máquina abatida deve ser tratada e eliminada de maneira a que maior parte possível do seu material possa ser reciclada, e que qualquer influência negativa sobre o meio-ambiente seja mantida ao nível mais baixo possível, e em conformidade com as restrições locais.

Armazenamento

Preparar a bomba para armazenamento

- > Depois da utilização, é importante limpar o interior da bomba, enxaguando-a com um líquido limpo e neutro. Isto é especialmente importante se a bomba tiver sido utilizada para bombear líquidos ácidos ou salinos, ou outros líquidos intensamente poluídos ou agressivos.
- > Quando a bomba for armazenada por 24 horas ou mais, então o motor a ar deve ser lubrificado, para o proteger da corrosão.
- > Despeje aproximadamente 1 dl de óleo anti-corrosão directamente dentro da entrada de ar da bomba. Ligue a bomba à linha de ar comprimido, e deixe-a trabalhar durante alguns segundos. A bomba deverá trabalhar a uma velocidade muito baixa, para distribuir o óleo anti-corrosão pelo interior do motor a ar.

Dados técnicos

Dados da máquina

Tipo	Peso lb (kg)	Altura in. (mm)	Comprimento in. (mm)	Largura in. (mm)	Consumo de ar (6 bar) cfm (l/s)
CP 0010	33 (15)	17½ (445)	8¼ (210)	9 (229)	100 (47)

Tipo	Entrada de descarga	Saída de descarga in.	Entrada de ar in. (mm)	Saída de ar in. (mm)
CP 0010	-	2	¾, NPT (20)	1, NPT (25)

Declaração de ruído

Nível de ruído garantido **L_w** de acordo com a EN ISO 3744 e em conformidade com a directiva 2000/14/CE.

Nível de pressão sonora **L_p** de acordo com a EN ISO 11203.

Estes valores declarados foram obtidos por meio de ensaios laboratoriais de acordo com a directiva ou as normas declaradas e são adequados para comparação com os valores declarados de outras ferramentas testadas de acordo com as mesmas directivas ou normas. Estes valores declarados não são adequados para utilização em avaliações de risco, e os valores medidos em locais de trabalho individuais podem ser mais elevados. Os valores reais de exposição e o risco para o utilizador individual são únicos e dependem do modo como o utilizador trabalha, do material em que o equipamento é utilizado, bem como do tempo de exposição e do estado físico do utilizador, e das condições da máquina.

Nós, na Construction Tools PC AB, não podemos ser considerados responsáveis pelas consequências de usar os valores declarados em vez de valores que reflectam a exposição real na avaliação de riscos pessoais numa situação de trabalho sobre a qual não temos qualquer controlo.

Dados de ruído

Tipo	Ruído	
	Valores declarados	
	Pressão sonora EN ISO 11203	Potência sonora 2000/14/CE
	L_p r=1m dB(A) rel 20µPa	L_w garantido dB(A) rel 1pW
CP 0010	109	122

Declaração de Conformidade da CE

Declaração de Conformidade da CE (Directiva da CE 2006/42/CE)

Nós, Construction Tools PC AB, declaramos pela presente que as máquinas listadas abaixo se encontram em conformidade com as provisões da Directiva 2006/42/CE da CE (Directiva de Maquinaria) e com a Directiva 2000/14/CE (Directiva de Ruído), e com as normas harmonizadas mencionadas abaixo.

Bombas centrífugas	Nível de potência sonora garantido [dB(A)]	Nível de potência sonora medido [dB(A)]	Pmax (bar)
CP 0010	122	120	6.2

Foram aplicadas as seguintes normas harmonizadas:

- ◆ EN 809:1998

Foram aplicadas as seguintes outras normas:

- ◆ 2000/14/EC, Appendix V

Representante autorizado para Documentação Técnica:

Per Forsberg
Construction Tools PC AB
Dragonvägen 2
Kalmar

Vice-presidente Design e Desenvolvimento:

Erik Sigfridsson

Fabricante:

Construction Tools PC AB
Box 703
391 27 Kalmar
Sweden

Local e data:

Kalmar, 2014-12-09

ITALIANO

Indice

Introduzione	81
Informazioni sulle istruzioni per la sicurezza e per l'uso	81
Norme di sicurezza	82
Terminologia di sicurezza	82
Precauzioni e qualifiche personali	82
Installazione, precauzioni	82
Funzionamento, precauzioni	83
Manutenzione, precauzioni	84
Conservazione, precauzioni	84
Avvertenze	85
Modello e funzioni	85
Parti principali	85
Etichette	86
Installazione	86
Preparazione	86
Installazione fissa	86
Tubi e collegamenti	86
Misure antigelo	87
Lubrificazione	87
Funzionamento	87
Preparativi prima dell'accensione	87
Avviamento e arresto	88
Condizioni di esercizio	88
Manutenzione	88
Giornaliera	88
Manutenzione periodica	89
Coppie di serraggio	89
Precauzioni per lo smontaggio ed il montaggio	90
Ricerca dei guasti	90
Immagazzinamento	91
Preparazione della pompa per lo stoccaggio	91
Smaltimento	91
Dati tecnici	92
Dati della macchina	92
Dichiarazione in materia di rumore	92
Dati sul livello di rumorosità	92
Dichiarazione di conformità CE	93
Dichiarazione di conformità CE (Direttiva CE 2006/42/CE)	93

Introduzione

Grazie per aver scelto i prodotti Chicago Pneumatic. Per oltre un secolo, il marchio Chicago Pneumatic ha significato prestazioni e innovazione nel settore degli strumenti pneumatici.

Oggi il marchio è diffuso in tutto il mondo e offre una vasta gamma di utensili pneumatici e idraulici, quali demolitori, perforatrici, martelli scalpellatori, escavatori per argilla, picconatori e dissodatori, scalpellatori, pompe e molto altro ancora.

Il marchio Chicago Pneumatic è associato a prodotti potenti e affidabili, di facile manutenzione, che danno valore al denaro del cliente.

Per ulteriori informazioni si prega di visitare il sito www.cp.com

Construction Tools PC AB
Box 703
391 27 Kalmar
Sweden

Informazioni sulle istruzioni per la sicurezza e per l'uso

Scopo di queste istruzioni è fornire le conoscenze per un uso sicuro ed efficiente della pompa. Tali istruzioni offriranno inoltre consigli e indicazioni su come eseguire la normale manutenzione della pompa.

Quando ci si accinge a utilizzare la pompa per la prima volta, leggere queste istruzioni attentamente e accertarsi di averle comprese perfettamente.

Norme di sicurezza

Per ridurre il rischio di lesioni gravi o morte, per se stessi o altre persone, leggere e comprendere le istruzioni sulla sicurezza e l'uso prima di installare, utilizzare, riparare la macchina, eseguirne la manutenzione o modificare gli accessori della macchina.

Affiggere queste istruzioni per la sicurezza e l'uso nelle sedi di lavoro, fornirne copia agli addetti e assicurarsi che tutti le leggano prima di procedere all'uso o alla manutenzione della macchina.

Inoltre, l'operatore o il proprio datore di lavoro dovrebbero valutare i rischi specifici che potrebbero essere presenti come conseguenza di ciascun utilizzo della macchina.

Terminologia di sicurezza

Le parole Pericolo, Attenzione e Prudenza hanno i seguenti significati:

PERICOLO	Indica una situazione di pericolo che, qualora non sia evitata, può provocare gravi lesioni personali o morte.
AVVERTENZA	Indica una situazione di pericolo che, qualora non sia evitata, può provocare gravi lesioni personali o morte.
ATTENZIONE	Indica una situazione di pericolo che, qualora non sia evitata, può provocare lievi lesioni personali o di modesta entità.

Precauzioni e qualifiche personali

L'uso e la manutenzione della macchina sono riservati esclusivamente a personale addestrato e qualificato. Questo deve essere in grado di gestire fisicamente la massa, il peso e la potenza dell'utensile. Utilizzare sempre le regole del buon senso.

Dispositivi di protezione personale

Utilizzare sempre dispositivi di protezione approvati. Gli operatori e tutte le altre persone presenti nella zona di lavoro devono indossare i dispositivi di protezione, che comprenderanno almeno:

- > Elmetto protettivo
- > Protezione acustica
- > occhiali di sicurezza resistenti agli urti con protezioni laterali
- > protezione delle vie respiratorie, se necessario

- > guanti protettivi
- > calzature protettive adeguate
- > Camice da lavoro idoneo o abbigliamento simile (non largo) che copra braccia e gambe.

Droghe, sostanze alcoliche o farmaci

▲ AVVERTENZA Droghe, sostanze alcoliche o farmaci

Droghe, sostanze alcoliche o farmaci possono compromettere il proprio giudizio e la capacità di concentrazione. Scarsa reattività e valutazioni imprecise possono causare gravi incidenti o morte.

- ▶ Non utilizzare mai la macchina qualora si sia estremamente stanchi o sotto l'effetto di droghe, sostanze alcoliche o farmaci.
- ▶ Persone sotto l'effetto di droghe, sostanze alcoliche o farmaci non possono utilizzare la macchina.

Installazione, precauzioni

▲ PERICOLO Colpo di frusta del tubo dell'aria

Un tubo ad aria compressa che si scolleghi può avere dei movimenti sferzanti e causare lesioni personali o la morte. Per ridurre tali rischi:

- ▶ Verificare che il tubo flessibile e i collegamenti per l'aria compressa non siano danneggiati, sostituire se necessario.
- ▶ Verificare che tutti i collegamenti per l'aria compressa siano corretti.
- ▶ Non trasportare mai la macchina pneumatica dal tubo dell'aria.
- ▶ non tentare mai di scollegare un tubo ad aria compressa quando è pressurizzato; Interrompere innanzi tutto l'aria compressa sul compressore e spurgare la macchina attivando il dispositivo di avviamento e arresto.
- ▶ Non utilizzare raccordi a sgancio rapido sull'ingresso dell'utensile. Utilizzare raccordi filettati dei tubi in acciaio temprato (o materiale con una equivalente resistenza all'urto).
- ▶ Ogni volta che si utilizzano innesti girevoli universali (raccordi istantanei) raccomandiamo di montare perni di blocco e di utilizzare cavi di sicurezza contro i colpi di frusta per evitare eventuali problemi di collegamento tubo-utensile e tubo-tubo.
- ▶ Non orientare il tubo flessibile per aria compressa verso se stessi o altri. Per evitare il rischio di lesioni, non utilizzare mai l'aria compressa per eliminare ad es. polvere, sporco ecc. dagli abiti.

▲ AVVERTENZA Colpo di frusta del tubo di scarico

Un tubo flessibile di scarico che si scolleghi può avere dei movimenti sferzanti e il tubo o i getti possono colpire l'operatore causando lesioni personali o la morte. Per ridurre tali rischi:

- ▶ Rimuovere sempre eventuali attorcigliamenti, prima di avviare la pompa. Se il tubo di mandata è attorcigliato, potrebbe sfuggire dalle mani dell'operatore.
- ▶ Accertarsi sempre che i collegamenti del tubo di scarico siano ben collegati.
- ▶ Verificare che il tubo flessibile di scarico e i collegamenti per l'aria compressa non siano danneggiati, sostituire se necessario.
- ▶ Accertarsi sempre che l'estremità di uscita del tubo di scarico sia ben collegata.

▲ AVVERTENZA Pericolo dell'installazione fissa

La pompa è intesa principalmente per l'uso in applicazioni temporanee (mobili). Se la pompa è utilizzata in installazioni fisse, il collegamento tra la pompa e il tubo può allentarsi, getti di liquido o altre particelle possono colpire l'operatore e causare lesioni personali o la morte.

- ▶ Usare sempre un tubo flessibile nei collegamenti tra pompa e tubazione.
- ▶ Non tenere mai sospesa la pompa dal tubo dell'aria.

Funzionamento, precauzioni**▲ PERICOLO Rischio di esplosione**

Qualora una pompa venga a contatto con sostanze o gas esplosivi vi è il rischio di esplosioni. Durante l'uso di determinati materiali, possono verificarsi scintille e combustioni. Eventuali esplosioni causerebbero lesioni gravi o morte.

- ▶ Non utilizzare la macchina in ambienti esplosivi.

▲ AVVERTENZA Pericolo di liquido infiammabile

Se si sta pompando liquido infiammabile, la pompa può esplodere se infiammata. Ciò può provocare lesioni personali o la morte.

- ▶ non pompare mai liquidi infiammabili.

▲ AVVERTENZA Pompa molto calda

Se lo scarico è chiuso durante il funzionamento della pompa, la pompa diventa molto calda. Se si sta pompando liquido caldo, la pompa può diventare molto calda. Il contatto con la pompa molto calda può causare ustioni e lesioni personali.

- ▶ Non utilizzare mai la pompa con lo scarico chiuso.
- ▶ Evitare di toccare la pompa se si sta pompando del liquido caldo.

▲ PERICOLO Girante non protetta

Una girante non protetta può avere movimenti sferzanti che causano lesioni personali gravi.

- ▶ Non mettere mai in funzione la macchina senza tubo pescante e basamento.

▲ AVVERTENZA Pericolo di arresto di emergenza

Se si verifica una situazione di emergenza durante il pompaggio, e la pompa non viene arrestata immediatamente, possono verificarsi lesioni personali o morte.

- ▶ Installare una valvola di accensione/spegnimento sul flessibile dell'aria il più vicino possibile alla pompa.
- ▶ Azionare la valvola di accensione/spegnimento in caso di emergenza.

▲ AVVERTENZA Movimenti inattesi

Quando in uso, la pompa può spostarsi inavvertitamente. Dopo un certo periodo di utilizzo gli accessori possono rompersi in seguito all'usura. Il movimento improvviso ed inatteso può causare lesioni. Perdite di equilibrio o scivolamenti, inoltre, possono provocare gravi lesioni personali.

- ▶ Prestare attenzione a non perdere l'equilibrio quando si immerge o si estrae la pompa dal liquido, utilizzare un dispositivo di sollevamento idoneo.
- ▶ Ispezionare sempre l'attrezzatura prima dell'uso. Non utilizzare l'attrezzatura se si sospetta che sia danneggiata.
- ▶ Accertarsi che le pompe e i relativi accessori siano puliti e privi di olio e grasso.
- ▶ Le parti in movimento possono schiacciare e tagliare, non controllare mai i fori e i passaggi con le mani.
- ▶ Non colpire né utilizzare impropriamente l'attrezzatura.
- ▶ Verificare regolarmente che gli accessori non siano usurati e controllarli in caso di rischio di danni o rotture evidenti.
- ▶ Prestare sempre la massima attenzione durante il lavoro.

▲ AVVERTENZA Proiettili

Durante il funzionamento, particelle o getti di liquido possono trasformarsi in proiettili e causare lesioni personali colpendo l'operatore o altre persone. Per ridurre tali rischi:

- ▶ Utilizzare dispositivi di protezione individuali e elmetto di sicurezza omologati, ad esempio occhiali di sicurezza resistenti agli urti con protezioni laterali.
- ▶ Assicurarsi che persone non autorizzate non si introducano nella zona di lavoro.
- ▶ Mantenere il luogo di lavoro privo di corpi estranei.
- ▶ I getti di liquido dal tubo di mandata potrebbero contenere solidi che si spostano ad alta velocità. Non dirigere i getti di liquido verso altro personale.

▲ AVVERTENZA Pericoli di scivolamento, inciampo e caduta

Esiste un rischio di scivolamento, inciampo e caduta per esempio inciampo sui cavi o su altri oggetti. Scivolamento, inciampo e caduta possono causare lesioni. Per ridurre tali rischi:

- ▶ Accertarsi sempre che non vi siano cavi o altri oggetti che ostacolano il cammino dell'utente o di altri.
- ▶ Operare sempre in posizione stabile, con i piedi allargati parallelamente alle spalle e con il peso del corpo ben bilanciato.

▲ PERICOLO Pericolo elettrico

La macchina non è isolata elettricamente. In caso di contatto della macchina con l'elettricità possono derivarne lesioni personali gravi o morte.

- ▶ Non mettere mai in funzione la macchina vicino a cavi elettrici o ad altre fonti di elettricità.
- ▶ Accertarsi che non siano presenti cavi nascosti o altre sorgenti elettriche nella zona di lavoro.

▲ AVVERTENZA Avviamento accidentale

L'avviamento accidentale della macchina può provocare gravi lesioni personali.

- ▶ Tenere lontane le mani dal dispositivo di avviamento ed arresto fino a quando l'operatore non è pronto ad avviare la macchina.
- ▶ Imparare come fermare la macchina in caso di emergenza.
- ▶ Arrestare immediatamente la macchina in caso di interruzione di corrente.

▲ AVVERTENZA Rischio correlato al rumore

Elevati livelli di rumore possono causare una perdita dell'udito permanente e disabilitante, nonché altri problemi quali acufeni (fischi, ronzii, crepitii nelle orecchie). Per ridurre i rischi ed evitare qualsiasi inutile aumento dei livelli di rumore:

- ▶ La valutazione del rischio e l'implementazione di adeguati controlli sono fondamentali.
- ▶ Utilizzare e sottoporre a manutenzione la macchina come indicato nelle presenti istruzioni.
- ▶ Utilizzare sempre protezioni acustiche.

Manutenzione, precauzioni

▲ AVVERTENZA Modifica della macchina

Eventuali modifiche alla macchina possono causare lesioni personali all'operatore e ad altre persone.

- ▶ Non modificare mai la macchina. Le macchine modificate non sono coperte da garanzia o responsabilità sul prodotto.
- ▶ Utilizzare sempre ricambi ed accessori originali.
- ▶ Sostituire immediatamente i pezzi danneggiati.
- ▶ Sostituire tempestivamente i componenti usurati.

Conservazione, precauzioni

- ◆ La macchina e gli utensili devono essere conservati in un luogo sicuro e fuori dalla portata dei bambini, chiuso a chiave.

Avvertenze

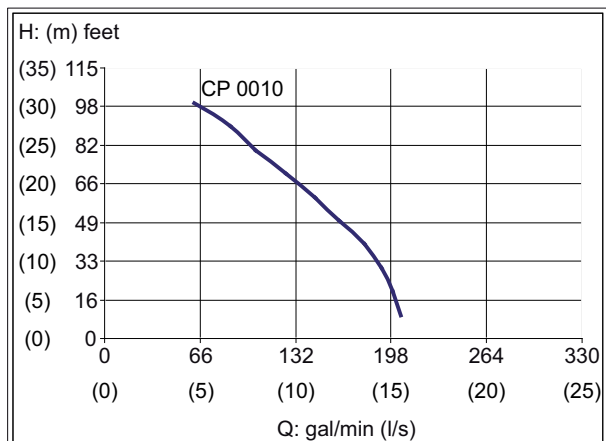
Per ridurre il rischio di lesioni gravi o morte, per se stessi o altre persone, prima di utilizzare la macchina leggere la sezione delle istruzioni sulla sicurezza che si trova nelle prime pagine di questo manuale.

Modello e funzioni

La pompa centrifuga CP 0010 è intesa per pompare liquidi relativamente puliti come acqua e refrigeranti. Non si consiglia di pompare liquidi con una temperatura superiore a 212°F (100 °C). Non pompare liquido abrasivo. Non è consentito uso diverso da quello indicato. CP 0010 è adattata per soddisfare diverse esigenze di flusso e prevalenza, vedi diagramma in basso.

CP 0010 è a immersione quindi è in grado di funzionare totalmente immersa nel mezzo pompato. La girante della CP 0010 è colata in sabbia in alluminio bronzo, ed è azionata da un motore pneumatico. L'aria compressa passa attraverso un filtro dell'aria che impedisce ad eventuali corpi estranei di penetrare nella pompa. L'oliatore integrato fornisce lubrificazione continua.

Il diagramma è valido a 6 bar (87 psi) e quando si pompa dal livello della piastra base.

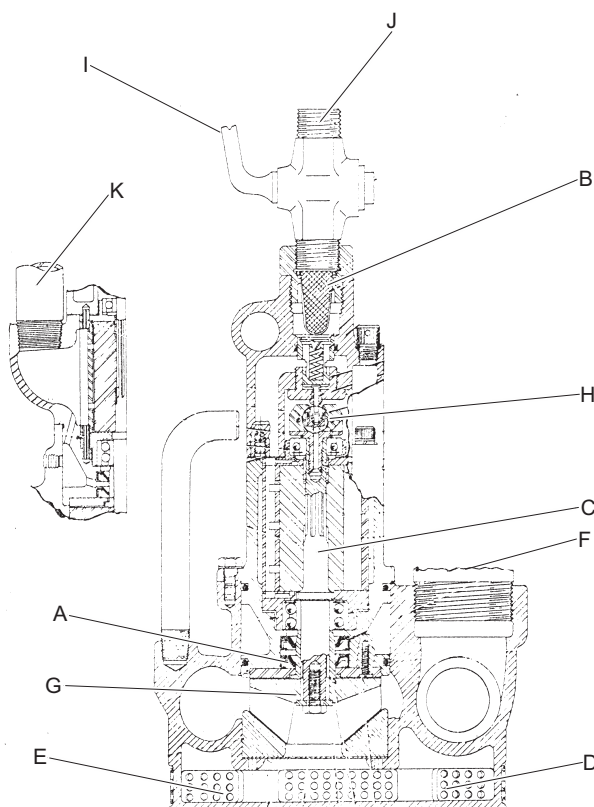


H: Prevalenza (m)

Q: Flusso l/s

AVVISO La capacità della pompa cambia e il grafico precedente non sarà accurato se si utilizza una pressione dell'aria inferiore a quella raccomandata o se il liquido pompato ha una viscosità diversa dall'acqua.

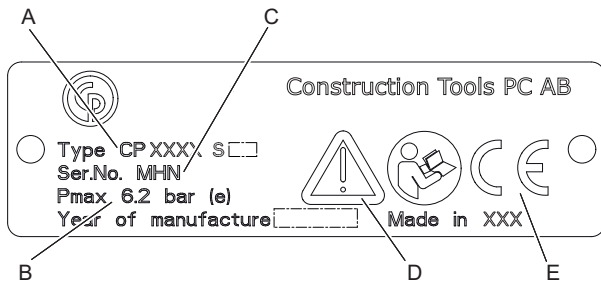
Parti principali



- A. Tenuta albero
- B. Filtro dell'aria
- C. Motore
- D. Schermo filtro
- E. Ammissione liquido
- F. Scarico
- G. Girante
- H. Dispositivo di controllo
- I. Valvola
- J. Ingresso aria
- K. Scarico aria

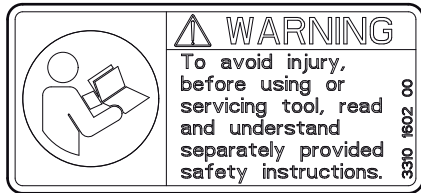
Etichette

Targhetta dei dati



- A. Tipo di macchina
- B. Pressione pneumatica massima consentita
- C. Numero di serie
- D. Il simbolo di attenzione insieme al simbolo del libro indicano che occorre leggere le Istruzioni per la sicurezza e per l'uso quando ci si accinge a utilizzare la macchina per la prima volta.
- E. Il simbolo CE indica che la macchina è approvata dalla CE. Per ulteriori informazioni, consultare l'allegata dichiarazione CE. Se il simbolo CE manca, indica che la macchina non è approvata dalla CE.

Etichetta di sicurezza



Per evitare lesioni, prima di usare o di effettuare la manutenzione su un utensile, leggere e comprendere le istruzioni di sicurezza fornite separatamente.

Installazione

Preparazione

Accertarsi sempre che la pompa sia posizionata su una superficie stabile e orizzontale.

A seconda delle condizioni sul luogo di lavoro, è possibile installare la pompa in modi diversi.

Se lo scarico dell'aria si trova sopra la superficie del liquido:

- ◆ È possibile avviare direttamente la pompa.

Se la pompa è immersa nel liquido pompato:

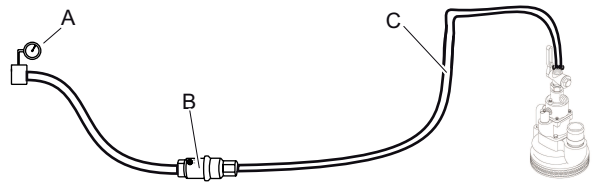
- ◆ Avviare la pompa prima di immergerla nel liquido.
- ◆ Se un flessibile di scarico è collegato allo scarico dell'aria, è possibile immergere e riavviare la pompa.

AVVISO La pompa non va avviata né arrestata sott'acqua a meno che lo scarico dell'acqua non sia dotato di un flessibile.

Installazione fissa

La pompa è intesa principalmente per l'uso in applicazioni temporanee (mobili). Se la pompa è utilizzata in installazioni fisse, accertarsi che i collegamenti tra pompa e tubo siano effettuati tramite un flessibile.

Tubi e collegamenti



- A. Sorgente di aria compressa
 - B. Separatore di condensa (opzionale)
 - C. Tubo dell'aria compressa lungo max. 3 metri tra il separatore d'acqua e la macchina.
- ◆ Verificare che si stia usando la corretta pressione operativa raccomandata, 6 bar.
 - ◆ La pressione massima consentita dell'aria compressa, 90 psig (6,2 bar), non deve mai essere superata.
 - ◆ Soffiare via eventuali impurità dal tubo dell'aria compressa prima di collegarlo alla macchina.
 - ◆ Scegliere un flessibile dalle dimensioni idonee tra le opzioni disponibili e collegarlo allo scarico dell'acqua sulla pompa. Per una portata massima con le pompe CP, si raccomanda un flessibile da 3 in. (76 mm).
 - ◆ Selezionare le dimensioni e la lunghezza corrette per il tubo dell'aria compressa. Per tubi di lunghezza superiore a 30 metri, usare un tubo con diametro minimo interno di $\frac{3}{4}$ in. (19 mm). Se il tubo ha una lunghezza tra 30 e 100 metri, usare un tubo con diametro interno minimo di 1 in. (25 mm).

Misure antigelo

La formazione di ghiaccio nel motore pneumatico si può verificare quando la temperatura ambiente è di 32-50 °F (0-10°C) e l'umidità relativa è alta.

Adottare le seguenti misure per evitare il rischio di formazione di ghiaccio:

- ◆ Usare un separatore di condensa.

Lubrificazione

Per un funzionamento senza problemi, è richiesta la lubrificazione continua del motore pneumatico. Prima dell'uso e dopo otto ore di servizio, rimuovere il tappo dell'olio e riempire il serbatoio con l'olio consigliato, vedi in basso.

Lubrificante	Intervallo di temperatura °F (°C)	Grado di viscosità
Olio per utensili pneumatici	≤100 (≤38)	100-150 SUS (ISO VG 22-32)
Olio per utensili pneumatici	>100 (>38)	200-300 SUS (ISO VG 46-48)

Lubrificare

Utilizzare un grasso per cuscinetti di qualità elevata da utilizzare nei cuscinetti a sfere.

AVVISO Il grasso per le pompe per acqua per uso automobilistico è concepito per un utilizzo con acqua calda ed è troppo solido per un utilizzo in una pompa che funziona con liquidi freddi.

Regolazione oliatore

La valvola dell'oliatore è impostata in fabbrica per erogare circa 180 g di olio ogni otto ore di servizio. Controllare la lubrificazione mantenendo un pezzo di carta pulito davanti allo scarico dell'aria mentre si fa funzionare la pompa. Dopo circa cinque secondi sulla carta dovrebbero comparire tracce di olio.

Se è necessaria una nuova regolazione, procedere come segue:

- 1) Rimuovere il tappo dell'olio e scaricare tutto l'olio dal serbatoio.
- 2) Svitare e rimuovere i quattro dadi con rondelle per fissare l'alloggiamento del dispositivo di controllo all'alloggiamento del motore e rimuovere l'alloggiamento del dispositivo di controllo.
- 3) Utilizzare un chiave di Allen da 1/8 in. per ruotare il tappo del foro (vite forata). Ruotare in senso orario per ridurre il flusso. Ruotare in senso antiorario per aumentare il flusso.
- 4) Rimontare, riempire e controllare la lubrificazione come descritto sopra.

AVVISO Non limitare il flusso completamente in quanto la mancanza di lubrificazione comporterebbe un rapido guasto della pompa.

Funzionamento

▲ AVVERTENZA Avviamento accidentale

L'avviamento accidentale della macchina può provocare gravi lesioni personali.

- ▶ Tenere lontane le mani dal dispositivo di avviamento ed arresto fino a quando l'operatore non è pronto ad avviare la macchina.
- ▶ Imparare come fermare la macchina in caso di emergenza.
- ▶ Arrestare immediatamente la macchina in caso di interruzione di corrente.

▲ AVVERTENZA Pericolo di liquido infiammabile

Se si sta pompando liquido infiammabile, la pompa può esplodere se infiammata. Ciò può provocare lesioni personali o la morte.

- ▶ non pompare mai liquidi infiammabili.

Preparativi prima dell'accensione

- > Pulire soffiando il tubo dell'aria compressa prima di collegarlo alla macchina.
- > Se la pompa non è stata utilizzata per un periodo di tempo più lungo, versare circa 5 cl di olio direttamente nell'ingresso dell'aria della pompa. Ciò garantirà una buona lubrificazione sin dal primo momento☒
- > Controllare che l'aria compressa non sia contaminata da acqua e da altre impurità. L'aria secca è particolarmente importante quando si utilizza un silenziatore, perché un silenziatore aumenta il rischio di formazione di ghiaccio.

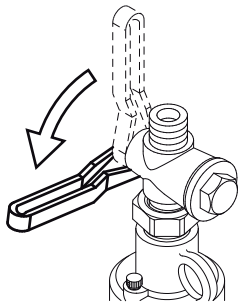
Avviamento e arresto

▲ AVVERTENZA Colpo di frusta del tubo di scarico

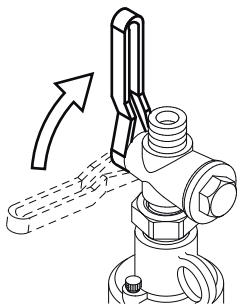
Un tubo flessibile di scarico che si scolleghi può avere dei movimenti sferzanti e il tubo o i getti possono colpire l'operatore causare lesioni personali o la morte. Per ridurre tali rischi:

- ▶ Rimuovere sempre eventuali attorcigliamenti, prima di avviare la pompa. Se il tubo di mandata è attorcigliato, potrebbe sfuggire dalle mani dell'operatore.
- ▶ Accertarsi sempre che i collegamenti del tubo di scarico siano ben collegati.
- ▶ Verificare che il tubo flessibile di scarico e i collegamenti per l'aria compressa non siano danneggiati, sostituire se necessario.
- ▶ Accertarsi sempre che l'estremità di uscita del tubo di scarico sia ben collegata.

Avviamento e arresto



Avviare la pompa collegandola all'alimentazione e ruotando il dispositivo di avvio e arresto.



Arrestare la pompa ruotando il dispositivo di avvio e arresto e scollegandola dall'alimentazione.

Condizioni di esercizio

- > Procedere come segue all'inizio di ogni turno:
 - > Riempire il serbatoio con l'olio consigliato.
 - > Controllare che il dosaggio dell'olio funzioni mantenendo un pezzo di carta pulito davanti allo scarico dell'aria. Dopo circa cinque secondi sulla carta dovrebbero comparire tracce di olio. Regolare il dosaggio dell'olio se necessario, vedere la sezione "Regolazione dell'oliatore".
- > Se il liquido congela all'interno della pompa potrebbe danneggiarla.
- > Non far funzionare la pompa a secco per periodi prolungati, in quanto ciò potrebbe danneggiare le guarnizioni.
- > Se la pompa è stata utilizzata in acqua corrosiva o inquinata, dopo l'uso deve essere messa in funzione in acqua pulita per qualche minuto.

Manutenzione

La manutenzione regolare è un requisito di base perché l'uso dell'utensile continui ad essere sicuro ed efficiente. Seguire attentamente le istruzioni per la manutenzione.

- ◆ Utilizzare esclusivamente ricambi originali. Eventuali danni o guasti dovuti dall'uso di ricambi non originali non sono coperti da Garanzia o Responsabilità sul Prodotto.
- ◆ In caso di pulizia delle parti meccaniche con un solvente, rispettare tutte le norme di sicurezza vigenti e accertarsi che vi sia una ventilazione adeguata.
- ◆ Per la manutenzione completa della macchina, rivolgersi al proprio centro di assistenza autorizzato.

Giornaliera

Prima di accingersi alla manutenzione della pompa, spegnere sempre l'alimentazione di aria. Quindi scollegare il tubo dell'aria dalla macchina.

- ◆ Pulire ed ispezionare la macchina e le sue funzioni ogni giorno prima di iniziare il lavoro.
- ◆ Eseguire un'ispezione generale per verificare che non vi siano perdite o danni.
- ◆ Controllare che il nipplo dell'aria in ingresso sia serrato e che il raccordo a baionetta non sia danneggiato.
- ◆ Sostituire immediatamente i pezzi danneggiati.

- ◆ Sostituire tempestivamente i componenti danneggiati o usurati.
- ◆ Assicurarsi che tutta l'attrezzatura, quali tubazioni, separatori d'acqua e lubrificatori, sia sottoposta a corretta manutenzione.

Manutenzione periodica

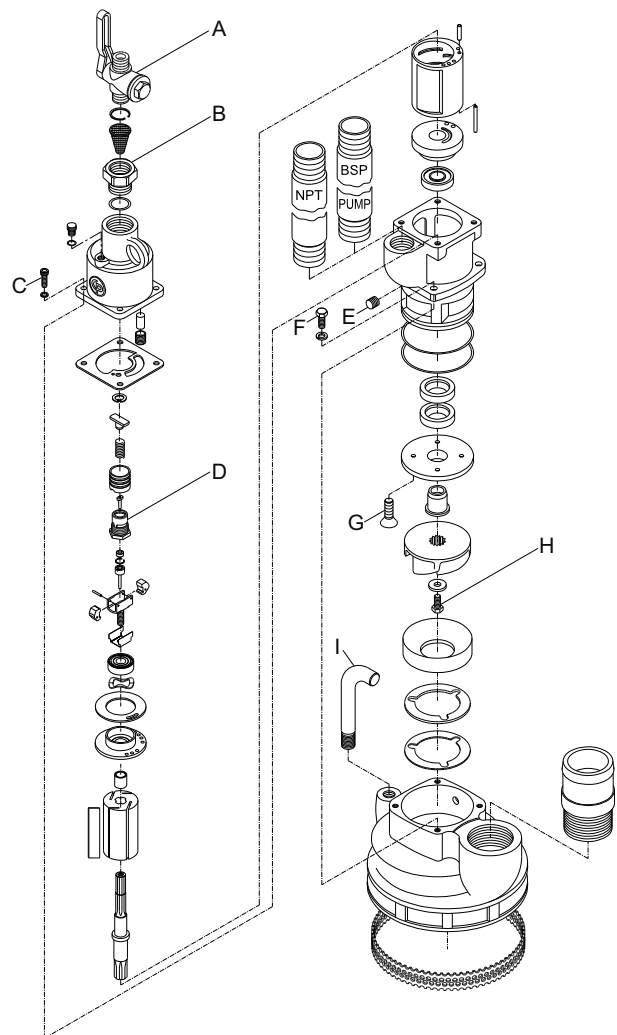
Dal momento che ogni applicazione è diversa da un'altra, la frequenza e la portata della manutenzione va valutata in base alle prestazioni passate. Conservare i dati relativi alla manutenzione di prestazioni passate, aiuta a determinare gli intervalli di manutenzione preventiva futura.

Manutenzione periodica				
Punto di controllo	Controllare	Intervallo di tempo, ore di funzionamento pompa		
		Ogni 8	Ogni 40	Ogni 400
Tubi e collegamenti	Perdita, danno	X		
Filtro di ingresso	Intasamento, danno		X	
Raccordi filettati	Serraggio		X	
Pompa, completa	-			X
Oliatore	Livello dell'olio, funzionamento	X		
*Cavità di ingresso	Livello di grasso		X	

Vedere la sezione "Precauzioni per lo smontaggio ed il montaggio".

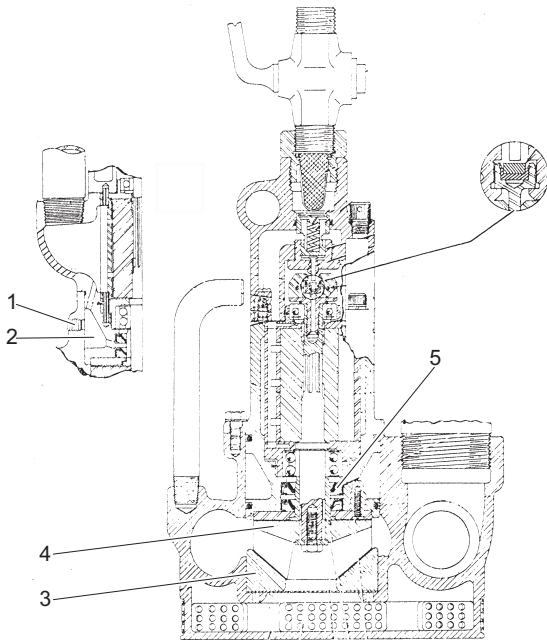
In caso di mancato funzionamento o peggioramento delle prestazioni della pompa, determinarne la causa e correggere il guasto. Le riparazioni andrebbero preferibilmente effettuate in un'officina.

Coppie di serraggio



- A. Valvola, 40-54 Nm
- B. Bussola di ingresso dell'aria, 162-190 Nm
- C. Vite, 11-14 Nm
- D. Gabbia - Dispositivo di controllo, 40-54 Nm
- E. Tappo, 13-19 Nm
- F. Tappo a vite, 140-150 Nm
- G. Vite, 70- 80 Nm
- H. Bullone, 19-22 Nm
- I. Impugnatura, 40-54 Nm

Precauzioni per lo smontaggio ed il montaggio.



- ◆ Se la pompa viene smontata, pulire i cuscinetti a sfera e eliminare il vecchio grasso da tutte le altre parti. Con il grasso consigliato, rilubrificare i cuscinetti, ricoprire i componenti del dispositivo di controllo e ricoprire tutti i componenti tra la piastra terminale inferiore e la girante.

Rimuovere il tappo (1) nell'alloggiamento della pompa e riempire la cavità del grasso (2) con il grasso consigliato. Non riempire l'ugello ingrassatore altrimenti si rischia di mettere sotto pressione la cavità e danneggiare le guarnizioni.

AVVISO Il grasso per le pompe per acqua per uso automobilistico è concepito per un utilizzo con acqua calda ed è troppo solido per un utilizzo in una pompa che funziona con liquidi freddi.

- ◆ Quando si sostituiscono le nuove guarnizioni dell'albero, la guarnizione interna deve alloggiare contro la spalla dell'alloggiamento del motore; la guarnizione esterna deve trovarsi a filo con l'alloggiamento del motore. Se le guarnizioni dell'albero vengono sostituite a causa di perdite, sostituire anche il manicotto della girante (5).

- ◆ Quando si rimonta la pompa, lasciare un gioco di 0,007 in. - 0,012 in. (0,18 - 0,30 mm) tra le facce angolari della piastra di usura inferiore (3) e la girante (4). Se il gioco supera 0,012 in. (0,30 mm), aggiungere spessori appropriati sotto la piastra di usura inferiore. Accertarsi che le fessure degli spessori siano allineate con le predisposizioni dei tre nell'alloggiamento della pompa.
- ◆ Quando si monta il motore nel proprio alloggiamento, la piastra terminale superiore deve protrudere al di sopra dell'alloggiamento di motore tra 0,001 in. e 0,003 in. (0,03 e 0,08 mm). Altrimenti, aggiungere spessori come richiesto.
- ◆ Rivestire le scanalature dell'albero del rotore con bisolfuro di molibdeno (MoS_2).
- ◆ Il corpo del dispositivo di controllo è fissato al rotore con una filettatura sinistrorsa.

Ricerca dei guasti

Perdita di alimentazione e problemi al motore possono derivare da condizioni esterne alla pompa. Controllare:

- ◆ Bassa pressione sulla pompa. La pompa necessita di una pressione di 90 psi (6,2 bar), con il motore a pieno regime.
- ◆ Uscita compressore ridotta.
- ◆ Scarico eccessivo sulla linea di alimentazione.
- ◆ Utilizzo di flessibile o di collegamenti di dimensioni insufficienti.

Se le condizioni precedenti sono giuste, controllare in sequenza quanto segue:

- 1) Filtro dell'aria: rimuovere, pulire e sostituire.
- 2) Lubrificazione del motore: Riempire il serbatoio dell'olio, scollegare il flessibile e versare una piccola quantità di olio nell'ingresso dell'aria. Controllare l'olio nell'aria di scarico come indicato, vedere la regolazione dell'oliatore.
- 3) Girante: Sotto la girante o tra la girante e l'anello di usura potrebbe trovarsi della graniglia che blocca la pompa.

Per risolvere il problema:

Sollevare la pompa dall'acqua consentendo all'acqua nel flessibile di scarico di refluire verso la pompa in modo da spostare eventuali particelle.

Se la pompa non funziona ancora, smontare e ispezionare la pompa. Vedere la sezione "Precauzioni per lo smontaggio ed il montaggio".

- 4) Congelamento: Il congelamento nella camera di scarico e nel relativo tubo è provocato dall'ingresso di umidità nel motore o nella camera di scarico. Controllare l'ingresso dell'aria e il collegamento di scarico per la tenuta d'acqua. Accertarsi che la parte terminale del tubo o del flessibile di scarico sia ben al di sopra dell'acqua.

Immagazzinamento

Preparazione della pompa per lo stoccaggio

- > Dopo l'uso è importante lavare la pompa usando un liquido neutro pulito. Ciò è particolarmente importante se la pompa è stata utilizzata per pompare acidi, liquidi salini o altri liquidi gravemente inquinati o aggressivi.
- > Quando la pompa va conservata per 24 ore o oltre, il motore pneumatico va lubrificato per proteggerlo dalla corrosione.
- > versare circa 1 dl di olio anticorrosione direttamente nell'ingresso dell'aria della pompa. Collegare la pompa alla linea di aria compressa e farla funzionare per qualche secondo. Farla funzionare a velocità molto basse per distribuire l'olio anticorrosione all'interno del motore pneumatico.
- > Dopo aver lubrificato con olio anticorrosione, l'ingresso dell'aria deve essere tappato.
- > Quando una pompa che è stata a deposito va rimessa in servizio, versare un po' d'olio direttamente nell'ingresso dell'aria prima di avviare la pompa.

Smaltimento

Una macchina usurata si deve trattare e smaltire in maniera tale che la maggior parte possibile di materiale possa essere riciclata e che eventuali influenze negative sull'ambiente vengano ridotte al minimo anche nel rispetto delle limitazioni locali.

Dati tecnici

Dati della macchina

Tipo	Peso lb (kg)	Altezza in. (mm)	Lunghezza in. (mm)	Larghezza in. (mm)	Fabbisogno di aria (6 bar) cfm (l/s)
CP 0010	33 (15)	17½ (445)	8¼ (210)	9 (229)	100 (47)

Tipo	Ingresso di scarico	Scarico in.	Ingresso aria in. (mm)	Scarico aria in. (mm)
CP 0010	-	2	¾, NPT (20)	1, NPT (25)

Dichiarazione in materia di rumore

Livello di potenza acustica garantito **L_w** conforme EN ISO 3744 ai sensi della direttiva 2000/14/CE.

Livello pressione sonora **L_p** ai sensi EN ISO 11203.

I valori qui dichiarati sono stati ottenuti mediante test di laboratorio conformi alla direttiva o agli standard indicati e non sono idonei per confronto con i valori dichiarati di altri utensili testati sulla base della stessa direttiva o standard. Tali valori dichiarati non sono adeguati all'uso nelle valutazioni dei rischi e i valori misurati nei singoli luoghi di lavoro possono essere maggiori. I valori di esposizione e i rischi effettivi per ciascun singolo operatore sono unici e dipendono dalle modalità di lavoro dell'operatore, dal materiale con il quale si utilizza la macchina, oltre che dal tempo di esposizione, dalle condizioni fisiche dell'operatore e dalle condizioni della macchina.

Construction Tools PC AB non può essere ritenuta responsabile delle conseguenze dell'utilizzo dei valori dichiarati anziché dei valori che riflettono l'esposizione effettiva, riportati in specifiche valutazioni dei rischi di uno specifico posto di lavoro, sul quale noi non abbiamo il controllo.

Dati sul livello di rumorosità

Rumore		
Valori dichiarati		
	Pressione sonora EN ISO 11203	Potenza suono 2000/14/CE
Tipo	L_p r=1m dB(A) rel 20µPa	L_w garantiti dB(A) rel 1pW
CP 0010	109	122

Dichiarazione di conformità CE

Dichiarazione di conformità CE (Direttiva CE 2006/42/CE)

Construction Tools PC AB, con il presente documento dichiara che i macchinari elencati di seguito sono conformi ai requisiti specificati dalle Direttive CE 2006/42/CE (Direttiva macchine) e 2000/14/CE (Direttiva sul rumore), nonché agli standard armonizzati specificati di seguito.

Pompe centrifughe	Livello di potenza sonora garantito [dB(A)]	Livello di potenza sonora misurato [dB(A)]	Pmax (bar)
CP 0010	122	120	6.2

Sono stati applicati i seguenti standard armonizzati:

- ◆ EN 809:1998

Sono stati applicati i seguenti altri standard:

- ◆ 2000/14/EC, Appendix V

Rappresentante autorizzato Documentazione Tecnica:

Per Forsberg
Construction Tools PC AB
Dragonvägen 2
Kalmar

Vice Presidente Design e Sviluppo:

Erik Sigfridsson

Produttore:

Construction Tools PC AB
Box 703
391 27 Kalmar
Sweden

Luogo e data:

Kalmar, 2014-12-09

POLSKI

SPIS TREŚCI

Wstęp	95
Uwaga na temat instrukcji bezpieczeństwa i obsługi	95
Wskazówki dotyczące bezpieczeństwa	96
Ostrzeżenia użyte w tekście	96
Środki ostrożności i kwalifikacje personelu	96
Uruchamianie, środki ostrożności	96
Obsługa, środki ostrożności	97
Konserwacja, środki ostrożności	99
Przechowywanie, środki ostrożności	99
Budowa	100
Konstrukcja i działanie	100
Budowa młota	100
Znaki i naklejki	101
Uruchomienie	101
Przygotowanie	101
Instalacja stała	101
Węże i złącza	101
Metody zapobiegania zamarzaniu	102
Smarowanie	102
Obsługa	102
Przygotowania do rozruchu	102
Uruchamianie i wyłączanie	103
Obsługa	103
Konserwacja	103
Codziennie	103
Okresowa konserwacja	104
Momenty dokręcania	104
Uwagi dotyczące demontażu i montażu	105
Rozwiązywanie problemów	105
Przechowywanie	106
Przygotowanie pompy do przechowywania	106
Utylizacja	106
Parametry techniczne	107
Parametry techniczne urządzenia	107
Deklaracja emisji hałasu	107
Dane dotyczące hałasu	107
Deklaracja zgodności WE	108
Deklaracja zgodności WE (Dyrektywa WE 2006/42/WE)	108

Wstęp

Dziękujemy za wybranie produktów firmy Chicago Pneumatic. Od ponad wieku znak firmowy Chicago Pneumatic jest synonimem osiągnięć i innowacji w przemyśle narzędzi pneumatycznych.

Dzisiaj znak firmowy Chicago Pneumatic znaleźć można na całym świecie na szerokim asortymencie narzędzi hydraulicznych i pneumatycznych, takich jak młoty pneumatyczne, wiertła do kamienia, dłuta pneumatyczne, koparki do gliny, kilofy i ręczne młoty pneumatyczne, bruzdownice, pompy i wiele innych.

Firma Chicago Pneumatic kojarzona jest z wydajnymi, niezawodnymi i łatwymi w obsłudze i konserwacji produktami, będącymi zawsze opłacalną inwestycją.

Więcej informacji na stronie www.cp.com

Construction Tools PC AB
Box 703
391 27 Kalmar
Szwecja

Uwaga na temat instrukcji bezpieczeństwa i obsługi

Zadaniem tych instrukcji jest przekazanie Państwu wiedzy o tym, w jaki sposób efektywnie i bezpiecznie używać z tej pompy. Zawarliśmy w nich także porady i wskazówki dotyczące przeprowadzania regularnej konserwacji pompy.

Przed pierwszym użyciem pompy musisz te instrukcje uważnie przeczytać i zrozumieć.

Wskazówki dotyczące bezpieczeństwa

Aby zredukować ryzyko odniesienia poważnych obrażeń lub poniesienia śmierci przez Ciebie lub inne osoby, przed przystąpieniem do instalacji, obsługi, naprawy, konserwacji lub wymiany akcesoriów w maszynie, przeczytaj dokładnie i z pełnym zrozumieniem Instrukcję bezpieczeństwa i obsługi.

Wywieś instrukcje bezpieczeństwa i obsługi w miejscach pracy, rozdaj ich kopie pracownikom i dopilnuj, aby każdy z nich je przeczytał przed rozpoczęciem obsługi lub serwisowania maszyny.

Dodatkowo, operator lub pracodawca operatora powinien dokonać oceny specyficznych zagrożeń mogących występować przy poszczególnych zastosowaniach maszyny.

Ostrzeżenia użyte w tekście

Ostrzeżenia użyte w tekście: Niebezpieczeństwo, Ostrzeżenie i Uwaga mają następujące znaczenia:

NIEBEZPIECZEŃSTWO	Wskazuje na niebezpieczną sytuację, której należy unikać, gdyż w przeciwnym razie stanie się ona przyczyną śmierci lub poważnych obrażeń.
OSTRZEŻENIE	Wskazuje na niebezpieczną sytuację, której należy unikać, gdyż w przeciwnym razie może stać się przyczyną śmierci lub poważnych obrażeń.
PRZESTROGA	Wskazuje na niebezpieczną sytuację, której należy unikać, gdyż w przeciwnym razie może stać się przyczyną lżejszych lub średnich obrażeń.

Środki ostrożności i kwalifikacje personelu

Obsługę i konserwację urządzenia wolno powierzać tylko osobom posiadającym odpowiednie kwalifikacje i przeszkolenie. Muszą one być fizycznie w stanie dać sobie radę z wielkością, masą i mocą urządzenia. Kieruj się zawsze zdrowym rozsądkiem popartym prawidłową oceną sytuacji.

Środki ochrony osobistej

Zawsze używaj odpowiednich środków ochrony osobistej. Operatorzy oraz inne osoby przebywające w obszarze roboczym muszą nosić środki ochronny osobistej, które obejmują co najmniej:

- > Hełm ochronny
- > Ochronniki słuchu
- > Przeciwodpryskowe okulary ochronne z zabezpieczeniem bocznym
- > Środki ochrony dróg oddechowych w stosownych przypadkach
- > Rękawice ochronne
- > Odpowiednie obuwie ochronne
- > Odpowiedni kombinezon roboczy lub podobną odzież (nie może być luźna) okrywającą ramiona i nogi.

Środki odurzające, alkohol, leki

▲ OSTRZEŻENIE Środki odurzające, alkohol, leki

Środki odurzające, alkohol i leki mogą mieć wpływ na zdolność oceny sytuacji i koncentrację. Spowolniona reakcja i niewłaściwa ocena sytuacji mogą prowadzić do poważnych obrażeń, a nawet śmierci.

- ▶ Nie używaj nigdy urządzenia będąc w stanie zmęczenia lub pod wpływem środków odurzających, alkoholu lub leków.
- ▶ Nikt będący pod wpływem środków odurzających, alkoholu lub leków nie ma prawa obsługiwać urządzenia.

Uruchamianie, środki ostrożności

▲ NIEBEZPIECZEŃSTWO Bijący przewód pneumatyczny

Luźny przewód pneumatyczny może chaotycznie poruszać się powodując obrażenia ciała lub śmierć. W celu zmniejszenia tego ryzyka:

- ▶ Sprawdź czy pneumatyczny przewód giętki i połączenia są nieuszkodzone.
- ▶ Sprawdź, czy wszystkie mocowania pneumatyczne są prawidłowo zaciśnięte.
- ▶ Nigdy nie podnoś urządzenia za przewody pneumatyczne.
- ▶ Nigdy nie próbuj odłączać przewodu pneumatycznego pod ciśnieniem. Najpierw odłącz zasilanie pneumatyczne kompresora a następnie odpowietrz urządzenie uruchamiając i zatrzymując je.

- ▶ Nie wykorzystuj szybkozłącz na wlocie narzędzia. Korzystaj z połączeń węży wykonanych ze stali utwardzonej (lub materiału o podobnej wytrzymałości na uderzenia).
- ▶ W przypadku zastosowania uniwersalnych złączek obrotowych (kłowych), zalecamy użycie zawleczek blokujących oraz linek zabezpieczających w celu uniknięcia rozłączenia się narzędzia od przewodu lub rozłączenia się samego przewodu.
- ▶ Nigdy nie kieruj przewodu giętkiego sprężonego powietrza na siebie ani inne osoby. Aby uniknąć ryzyka obrażeń ciała, nigdy nie używaj sprężonego powietrza np. do dmuchiwania pyłu, zabrudzeń etc. z odzieży.

▲ OSTRZEŻENIE Bicie węża odprowadzającego

W wypadku poluzowania się wąż odprowadzający może się zacząć gwałtownie i w sposób niekontrolowany poruszać, co w wypadku trafienia przez niego, lub wypływający z niego strumień płynu, operatora, może spowodować obrażenia, a nawet śmierć. Aby zredukować ryzyko przestrzegaj następujących zasad:

- ▶ Przed uruchomieniem pompy dopilnuj zawsze, aby wąż nie był załamany ani zapętlony. Załamanie lub zapętlenie węża odprowadzającego może spowodować wyrwanie go z rąk operatora.
- ▶ Dopilnuj zawsze, aby złącza węża odprowadzającego były dobrze zamocowane.
- ▶ Sprawdź czy wąż odprowadzający i jego złącza nie są uszkodzone, a w razie potrzeby wymień.
- ▶ Dopilnuj zawsze, aby wylot węża odprowadzającego był dobrze zabezpieczony.

▲ OSTRZEŻENIE Niebezpieczeństwo związane z instalacją stałą

Pompa przeznaczona jest w pierwszym rzędzie do użytku przenośnego. W wypadku eksploatacji pompy w instalacji stałej, połączenie między pompą a rurą może się obluźnić, a w konsekwencji tego strumień cieczy i cząstek stałych może trafić operatora i spowodować obrażenia, a nawet śmierć.

- ▶ Na połączenie między pompą a rurą używaj zawsze przewodu giętkiego (węża).
- ▶ Nigdy nie wieszaj pompy na wężu.

Obsługa, środki ostrożności

▲ NIEBEZPIECZEŃSTWO Niebezpieczeństwo eksplozji

W razie kontaktu pompy z materiałami wybuchowymi lub gazami o właściwościach wybuchowych może dojść do eksplozji. Niektóre materiały wchodzące w skład części maszyny mogą powodować powstawanie iskier i doprowadzić do zapalenia. Eksplozja prowadzi do ciężkich obrażeń, a nawet śmierci.

- ▶ Nigdy nie używaj maszyny w miejscach zagrożonych wybuchem.

▲ OSTRZEŻENIE Niebezpieczeństwo związane z cieczami palnymi

Przy pompowaniu cieczy palnych istnieje ryzyko wybuchu oparów. To z kolei może stać się przyczyną obrażeń, a nawet śmierci.

- ▶ Nigdy nie pompuj cieczy palnych.

▲ OSTRZEŻENIE Gorąca pompa

W wypadku zatkania wylotu przepływu podczas pompowania pompa stanie się gorąca. W wypadku pompowania gorącej cieczy pompa może się stać gorąca. Dotknięcie gorącej pompy może spowodować oparzenia i wynikające z nich obrażenia.

- ▶ Nigdy nie używaj pompy z zatkany wylotem przepływu cieczy.
- ▶ Unikaj dotykania pompy przy pompowaniu gorących cieczy.

▲ NIEBEZPIECZEŃSTWO Niezabezpieczony wirnik

Niezabezpieczony wirnik może spowodować poważne obrażenia.

- ▶ Nigdy nie używaj maszyny bez siatkowego filtra ssania i płyty bazowej.

▲ OSTRZEŻENIE Niebezpieczeństwo związane z zatrzymaniem awaryjnym

Jeżeli pompa nie zostanie natychmiast zatrzymana w wypadku zaistnienia podczas jej pracy sytuacji awaryjnej, dojść może do obrażeń a nawet śmierci.

- ▶ Zainstaluj zawór otwierający/zamykający dopływ sprężonego powietrza na wężu zasilającym, jak najbliższej pompy.
- ▶ W wypadku zaistnienia sytuacji awaryjnej odetnij dopływ sprężonego powietrza używając zaworu otwierającego/zamykającego.

▲ OSTRZEŻENIE Niespodziewane ruchy

Pompa może się w czasie pracy nieoczekiwanie przemieścić. Akcesoria mogą po pewnym okresie użytkowania ulec złamaniu na skutek zmęczenia materiału. Nagłe i nieoczekiwane ruchy mogą się stać przyczyną obrażeń. Przyczyną obrażeń może być również utrata równowagi lub poślizgnięcie się.

- ▶ Przy zanurzaniu pompy i wyciąganiu jej z cieczy zwracaj zawsze uwagę aby nie stracić równowagi, używaj odpowiedniego urządzenia do podnoszenia.
- ▶ Przed każdym użyciem sprzętu sprawdź jego stan techniczny. Nigdy nie używaj sprzętu wobec którego istnieje podejrzenie, że może być uszkodzony.
- ▶ Pompa i jej akcesoria muszą być zawsze czyste oraz wolne od smaru i oleju.
- ▶ Części ruchome mogą miażdżyć i ciąć, więc nigdy nie sprawdzaj otworów ani kanałów rękami ani palcami.
- ▶ Nie uderzaj sprzętu, ani nie używaj go niezgodnie z jego przeznaczeniem.
- ▶ Regularnie kontroluj stopień zużycia akcesoriów i sprawdzaj, czy nie mają one oznak uszkodzenia lub widocznych pęknięć.
- ▶ Uważaj i patrz na to co robisz.

▲ OSTRZEŻENIE Odpryski

Podczas pracy odłamki i strumień płynu mogą być wyrzucane z dużą siłą i spowodować obrażenia w wypadku trafienia operatora lub osób postronnych. Aby zmniejszyć ryzyko przestrzegaj następujących zasad:

- ▶ Używaj posiadających odpowiednie atesty środków ochrony osobistej, między innymi hełmu ochronnego i przeciwodpryskowych okularów ochronnych z osłoną boczną.
- ▶ Dopilnuj, aby w strefie roboczej nie znajdowały się żadne osoby nieupoważnione.
- ▶ Utrzymuj miejsce pracy wolne od wszelkich obcych przedmiotów.
- ▶ Strumień cieczy tryskający z przewodu odprowadzającego może zawierać poruszające się z dużą prędkością kawałki stałej materii. Nie kieruj strumienia cieczy na inny personel.

▲ OSTRZEŻENIE Ryzyka związane z poślizgnięciem się, potknięciem lub przewróceniem

Istnieje ryzyko poślizgnięcia się, potknięcia lub przewrócenia, np. potknięcia się o węże lub inne przedmioty. Poślizgnięcie się, potknięcie lub przewrócenie może spowodować obrażenia. Aby zmniejszyć ryzyko przestrzegaj następujących zasad:

- ▶ Dopilnuj zawsze, aby żaden wąż ani inny przedmiot nie zawadzał ani tobie ani nikomu innemu.
- ▶ Utrzymuj zawsze stabilną pozycję, rozstawiając stopy na szerokość ramion i zachowując równowagę ciała.

▲ NIEBEZPIECZEŃSTWO Zagrożenie porażeniem prądem elektrycznym

Maszyna nie jest izolowana elektrycznie. Kontakt maszyny z instalacjami elektrycznymi może spowodować poważne obrażenia ciała lub śmierć.

- ▶ W żadnym wypadku nie eksploatować urządzenia w pobliżu przewodów elektrycznych lub źródeł energii elektrycznej.
- ▶ Sprawdź, czy w miejscu pracy nie ma ukrytych przewodów lub innych źródeł prądu.

▲ OSTRZEŻENIE Przypadkowe uruchomienie

Mimowolne uruchomienie maszyny może się stać przyczyną obrażeń.

- ▶ Trzymaj ręce z dala od włącznika dopóki nie będziesz gotowy do rozpoczęcia pracy.
- ▶ Zapoznaj się ze sposobem awaryjnego wyłączenia maszyny.
- ▶ Zatrzymuj natychmiast maszynę w wszystkich przypadkach przerwy w zasilaniu.

▲ OSTRZEŻENIE Niebezpieczeństwa związane z hałasem

Wysoki poziom hałasu może spowodować nieodwracalną upośledzającą degradację lub nawet utratę słuchu, a także inne problemy, jak na przykład szum uszny (dzwonienie, brzęczenie, świstanie lub buczenie w uszach). Aby zmniejszyć ryzyka i zapobiec niepotrzebnemu wzrostowi poziomu hałasu:

- ▶ Bardzo ważne jest przeprowadzenie oceny ryzyk związanych z tymi niebezpieczeństwami i wdrożenie odpowiednich procedur kontrolnych.
- ▶ Przy obsłudze i konserwacji maszyny postępuj zgodnie z tymi instrukcjami.
- ▶ Zawsze używaj ochronników słuchu.

Konserwacja, środki ostrożności

▲ OSTRZEŻENIE Modyfikacje maszyny

Jakiegolwiek modyfikacje maszyny grożą obrażeniami operatora lub osób postronnych.

- ▶ Nigdy nie wprowadzaj żadnych modyfikacji do maszyny. Maszyny które zostały poddane modyfikacjom nie są objęte gwarancją ani odpowiedzialnością producenta za produkt.
- ▶ Używaj zawsze oryginalnych części zamiennych i akcesoriów.
- ▶ Uszkodzone lub zużyte części wymieniaj bezzwłocznie na nowe.
- ▶ Zużyte części wymieniaj w odpowiednim czasie.

Przechowywanie, środki ostrożności

- ◆ Przechowuj urządzenie i narzędzia w bezpiecznym miejscu, niedostępnym dla dzieci i zamkniętym na klucz.

Budowa

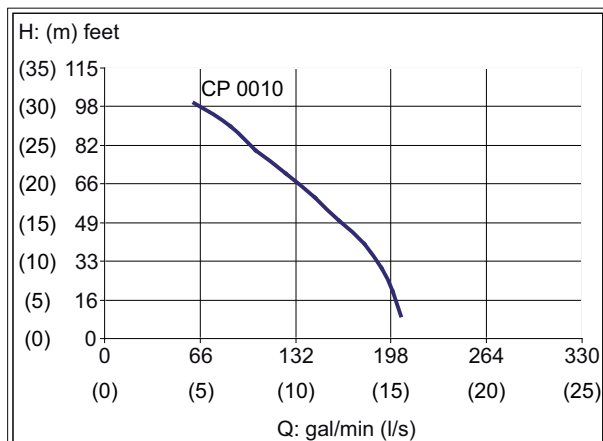
Aby ograniczyć ryzyko odniesienia przez operatora lub osoby trzecie poważnych obrażeń ciała, a nawet poniesienia śmierci, przed uruchomieniem urządzenia zapoznaj się z instrukcjami bezpieczeństwa zamieszczonymi na poprzednich stronach niniejszej instrukcji.

Konstrukcja i działanie

Pompa odśrodkowa CP 0010 przeznaczona jest do pompowania cieczy względnie czystych, takich jak woda i płyny chłodzące. Nie zaleca się pompowania żadnych cieczy o temperaturze przekraczającej 100°C (212°F). Nie pompuj cieczy o właściwościach ściernych. Żadne inne zastosowania nie są dozwolone. CP 0010 dostosowana jest do różnych wymogów dotyczących przepływu i różnicy wysokości, patrz wykres poniżej.

CP 0010 jest zatapialna, co oznacza, że może pracować całkowicie zanurzona w pompowanej cieczy. Wirnik CP 0010, będący wykonany w formie piaskowej odlewem z brązu aluminiowego, jest napędzany silnikiem pneumatycznym. Sprężone powietrze przepływa przez filtr powietrza, który zatrzymując obcą materię zapobiega jej dostaniu się do pompy. Wbudowana smarownica olejowa zapewnia ciągłe smarowanie.

Wykres odnosi się do ciśnienia 6 bar (87 psi) przy pompowaniu z poziomu płyty bazowej.

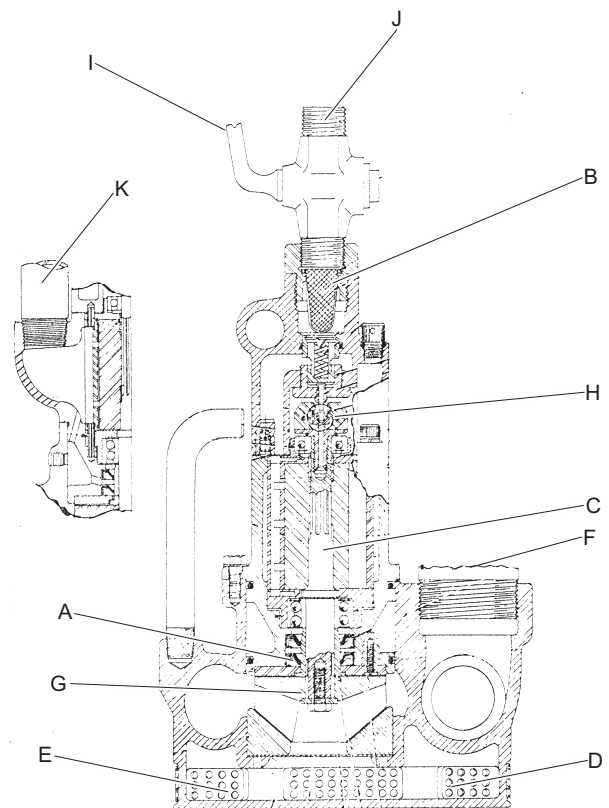


H: Różnica poziomów, stopy (m)

Q: Przepływ na wirniku, gal/min (l/s)

UWAGA W wypadku użycia ciśnienia powietrza odbiegającego od zalecanego, lub pompowania cieczy o innej niż w przypadku wody lepkości, wydatek pompy ulegnie zmianie i powyższy wykres nie będzie odzwierciedlał stanu rzeczywistego.

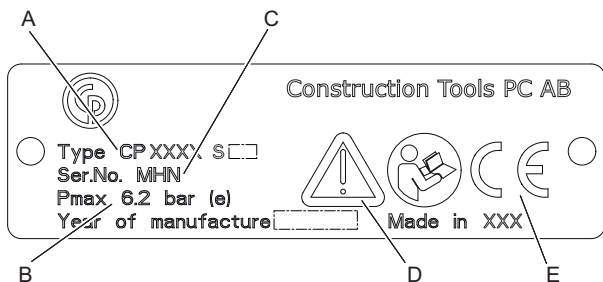
Budowa młota



- A. Uszczelka wałka
- B. Filtr powietrza
- C. Silnik
- D. Sito filtra
- E. Wlot cieczy
- F. Wylot odprowadzania cieczy
- G. Wirnik
- H. Regulator
- I. Zawór
- J. Wlot powietrza
- K. Wylot powietrza

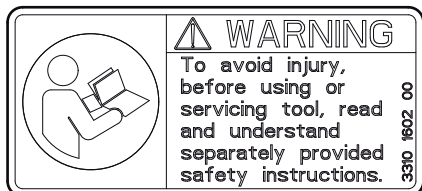
Znaki i naklejki

Tabliczka znamionowa



- A. Typ urządzenia
- B. Maksymalne dopuszczalne ciśnienie sprężonego powietrza
- C. Numer seryjny
- D. Symbol ostrzeżenia połączony z symbolem książki oznacza, że użytkownik musi przeczytać instrukcję bezpieczeństwa i obsługi przed pierwszym użyciem urządzenia.
- E. Symbol CE oznacza, że maszyna posiada świadectwo zgodności WE. Więcej informacji zawiera deklaracja WE dołączona do maszyny. Brak symbolu WE oznacza, że maszyna nie posiada świadectwa zgodności WE.

Nalepka bezpieczeństwa



Aby uniknąć obrażeń, przed użyciem narzędzia lub jego konserwacją przeczytaj ze zrozumieniem udostępnione osobno instrukcje bezpieczeństwa.

Uruchomienie

Przygotowanie

Upewnij się zawsze, że pompa spoczywa stabilnie na powierzchni podłoża.

Pompa może być instalowana w różny sposób, w zależności od panujących w miejscu pracy warunków.

Jeżeli wylot powietrza znajduje się powyżej powierzchni cieczy:

- ♦ Pompa może być uruchamiana bezpośrednio.

Jeżeli pompa ma pracować zanurzona w pompowanej cieczy:

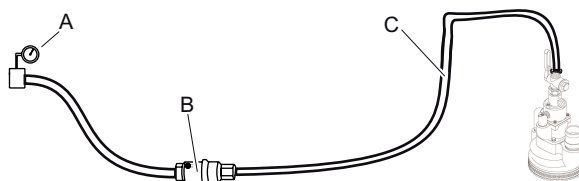
- ♦ Uruchom pompę przed jej zanurzeniem w pompowanej cieczy.
- ♦ Jeżeli do wylotu powietrza podłączony jest wąż odprowadzający, to pompa może być uruchamiana po zanurzeniu.

UWAGA Pompy nie wolno uruchamiać ani wyłączać w położeniu zanurzonym, jeżeli wylot powietrza nie jest wyposażony w wąż odprowadzający.

Instalacja stała

Pompa przeznaczona jest w pierwszym rzędzie do użytku przenośnego. W wypadku eksploatacji pompy w instalacji stałej, dopilnuj, aby połączenie między pompą a rurą wykonane było z przewodu giętkiego (węża).

Węże i złącza



- A. Źródło sprężonego powietrza
 - B. Separator wody (opcjonalnie)
 - C. Maks. dopuszczalna długość węża pneumatycznego między separatorem a maszyną wynosi 10 feet (3 metry).
- ♦ Sprawdź, czy używasz ciśnienia odpowiadającego zalecanemu ciśnieniu robocznemu, które wynosi 87 psig (6 bar).
 - ♦ Nie wolno przekraczać maksymalnego dopuszczalnego ciśnienia powietrza, które wynosi 90 psig (6,2 bar).
 - ♦ Przed podłączeniem węża pneumatycznego do maszyny wydmuchaj z niego wszystkie zanieczyszczenia.
 - ♦ Wybierz wąż o odpowiednim z dostępnych wymiarze i podłącz go do wylotu cieczy pompy. Do korzystania z maksymalnego przepływu pomp CP zaleca się użycie węża 3 in. (76 mm).

- ◆ Dobierz odpowiedni wymiar i długość węża pneumatycznego. Węże o długości do 100 feet (30 m) powinny mieć średnicę wewnętrzną co najmniej $\frac{3}{4}$ in. (19 mm). Węże o długości między 100 do 330 feet (30 a 100 metrów) powinny mieć średnicę wewnętrzną co najmniej 1 in. (25 mm).

Metody zapobiegania zamarzaniu

Przy temperaturze otoczenia 0 do 10°C (32-50°F) i wysokiej wilgotności względnej powietrza, w silniku pneumatycznym może się tworzyć lód.

Aby jeszcze bardziej zmniejszyć ryzyko tworzenia się lodu:

- ◆ Używaj separatora wody.

Smarowanie

Bezproblemowa eksploatacja wymaga bieżącego smarowania silnika pneumatycznego. Przed użyciem, a także po każdych ośmiu godzinach eksploatacji, wyjmij zatyczkę wlewu oleju i napełnij zbiornik zalecanym olejem, patrz niżej.

Środek smarny	Zakres temperatur °F (°C)	Klasa lepkości
Olej do narzędzi pneumatycznych	≤100 (≤38)	100-150 SUS (ISO VG 22-32)
Olej do narzędzi pneumatycznych	>100 (>38)	200-300 SUS (ISO VG 46-48)

Smar

Używaj wysokiej jakości smaru zalecanego do łożysk kulkowych.

UWAGA Smar do samochodowych pomp wody przeznaczony jest do pracy w środowisku wody gorącej, i jest zbyt twardy do użytku z cieczami zimnymi.

Regulacja smarownicy olejowej

Zawór smarownicy olejowej ustawiony jest fabrycznie na dostarczanie około 180 g (sześciu uncji) oleju na godzinę eksploatacji. Sprawdź smarowanie, trzymając kawałek papieru przed wylotem powietrza podczas pracy pompy. Po około pięciu sekundach na papierze powinny się pojawić ślady oleju.

W razie potrzeby regulacji postępuj jak niżej:

- 1) Wyjmij zatyczkę wlewu oleju i spuść cały olej ze zbiornika.
- 2) Odkręć i zdejmij razem z podkładkami zabezpieczającymi cztery nakrętki mocujące obudowę regulatora do obudowy silnika, a następnie zdejmij obudowę regulatora.
- 3) Do obracania dławika (śruby nastawnej z wywierconym otworem) użyj klucza imbusowego $\frac{1}{8}$ in. Obracaj w kierunku ruchu wskazówek zegara aby obniżyć przepływ. Obracaj w kierunku przeciwnym do ruchu wskazówek zegara aby przepływ zwiększyć.
- 4) Złóż z powrotem, napełnij ponownie zbiornik i sprawdź smarowanie zgodnie z powyższym opisem.

UWAGA Nie ograniczaj całkiem przepływu, ponieważ brak smarowania spowodowałoby szybką awarię pompy.

Obsługa

▲ OSTRZEŻENIE Przypadkowe uruchomienie

Mimowolne uruchomienie maszyny może się stać przyczyną obrażeń.

- ▶ Trzymaj ręce z dala od włącznika dopóki nie będziesz gotowy do rozpoczęcia pracy.
- ▶ Zapoznaj się ze sposobem awaryjnego wyłączenia maszyny.
- ▶ Zatrzymuj natychmiast maszynę w wszystkich przypadkach przerwy w zasilaniu.

▲ OSTRZEŻENIE Niebezpieczeństwo związane z cieczami palnymi

Przy pompowaniu cieczy palnych istnieje ryzyko wybuchu oparów. To z kolei może stać się przyczyną obrażeń, a nawet śmierci.

- ▶ Nigdy nie pompuj cieczy palnych.

Przygotowania do rozruchu

- > Przedmuchać wąż pneumatyczny do czysta przed podłączeniem go do pompy.
- > Jeżeli pompa nie była przez dłuższy czas używana, to wlej około 1 $\frac{3}{4}$ oz (5 cl) oleju bezpośrednio do wlotu powietrza pompy. Zapewni to dobre smarowanie pompy już od momentu jej uruchomienia.
- > Sprawdź, czy sprężone powietrze jest wolne od wody i innych zanieczyszczeń. Suchość powietrza jest szczególnie ważna kiedy się używa tłumika, ponieważ zwiększa on ryzyko tworzenia się lodu.

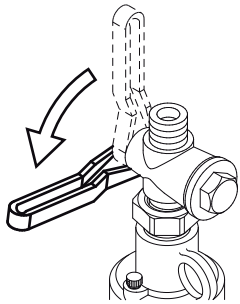
Uruchamianie i wyłączanie

▲ OSTRZEŻENIE Bicie węża odprowadzającego

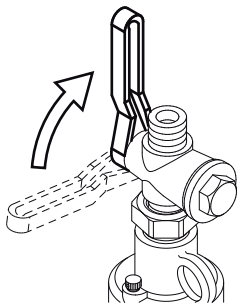
W wypadku poluzowania się wąż odprowadzający może się zacząć gwałtownie i w sposób niekontrolowany poruszać, co w wypadku trafienia przez niego, lub wypływający z niego strumień płynu, operatora, może spowodować obrażenia, a nawet śmierć. Aby zredukować ryzyko przestrzegaj następujących zasad:

- ▶ Przed uruchomieniem pompy dopilnuj zawsze, aby wąż nie był załamany ani zapętlony. Załamanie lub zapętlenie węża odprowadzającego może spowodować wyrwanie go z rąk operatora.
- ▶ Dopilnuj zawsze, aby złącza węża odprowadzającego były dobrze zamocowane.
- ▶ Sprawdź czy wąż odprowadzający i jego złącza nie są uszkodzone, a w razie potrzeby wymień.
- ▶ Dopilnuj zawsze, aby wylot węża odprowadzającego był dobrze zabezpieczony.

Uruchamianie i wyłączanie



Aby uruchomić pompę podłącz ją do źródła zasilania, a następnie obróć rączkę wyłącznika.



Aby wyłączyć pompę obróć rączkę wyłącznika, a następnie odłącz pompę od źródła zasilania.

Obsługa

- > Na początku każdej zmiany należy przeprowadzić następujące czynności:
 - > Napełnij zbiornik zalecanym olejem.
 - > Sprawdź działanie dozowania oleju trzymając kawałek czystego papieru przy wylotem powietrza. Po około pięciu sekundach na papierze powinny się pojawić ślady oleju. W razie potrzeby podreguluj dozowanie oleju, patrz pod „Regulacja smarownicy olejowej”.
- > Dopuszczając do skrzepnięcia cieczy wewnątrz pompy ryzykuje się jej uszkodzenie.
- > Nie dopuszczaj aby pompa pracowała przez dłuższy czas bez cieczy, ponieważ spowodowałoby to uszkodzenie uszczeltek.
- > Pompie, która pracowała w wodzie zanieczyszczonej lub w wodzie o właściwościach korozyjnych, należy po zakończeniu właściwej pracy pozwolić pracować jeszcze przez kilka minut w wodzie czystej.

Konserwacja

Regularna konserwacja to podstawowy warunek dalszego bezpiecznego i efektywnego korzystania z maszyny. Przestrzegaj dokładnie instrukcji konserwacji.

- ◆ Używaj wyłącznie oryginalnych części zamiennych. Wszelkie uszkodzenia i zakłócenia w działaniu wynikające z użycia nie dopuszczonych części są wyłączone z gwarancji i odpowiedzialności za produkt.
- ◆ Podczas czyszczenia rozpuszczalnikiem części mechanicznych przestrzegaj stosownych przepisów BHP i zadbaj o odpowiednią wentylację.
- ◆ W celu przeprowadzenia przeglądu skontaktuj się z autoryzowanym serwisem firmy Atlas Copco.

Codziennie

Przed przystąpieniem do jakichkolwiek prac konserwacyjnych na pompie zawsze wyłączaj dopływ powietrza. Następnie odłącz wąż pneumatyczny od maszyny.

- ◆ Przed rozpoczęciem pracy oczyść codziennie maszynę i poddaj ją oględzinom, oraz sprawdź jej działanie.
- ◆ Dokonaj ogólnego przeglądu pod kątem ewentualnych wycieków i uszkodzeń.
- ◆ Sprawdź, czy złącze doprowadzania powietrza jest dokręcone, a złącze kłowe nie jest uszkodzone.
- ◆ Uszkodzone części wymieniaj bezzwłocznie na nowe.
- ◆ Uszkodzone i zużyte komponenty wymieniaj zanim ich stan ulegnie nadmiernemu pogorszeniu.
- ◆ Pilnuj, aby cały współpracujący z maszyną osprzęt, taki jak węże pneumatyczne, separatory wody i smarownice, poddawany był odpowiedniej konserwacji.

Okresowa konserwacja

Ponieważ warunki eksploatacyjne maszyny różnią się w zależności od zastosowania, częstotliwość i zakres czynności konserwacyjnych ustalać jest najlepiej na podstawie doświadczenia. Prowadzenie szczegółowych zapisów dotyczących wcześniejszych czynności konserwacyjnych i funkcjonowania pompy, pomaga w ustaleniu częstotliwości przyszłych czynności w zakresie konserwacji zapobiegawczej.

Konserwacja okresowa

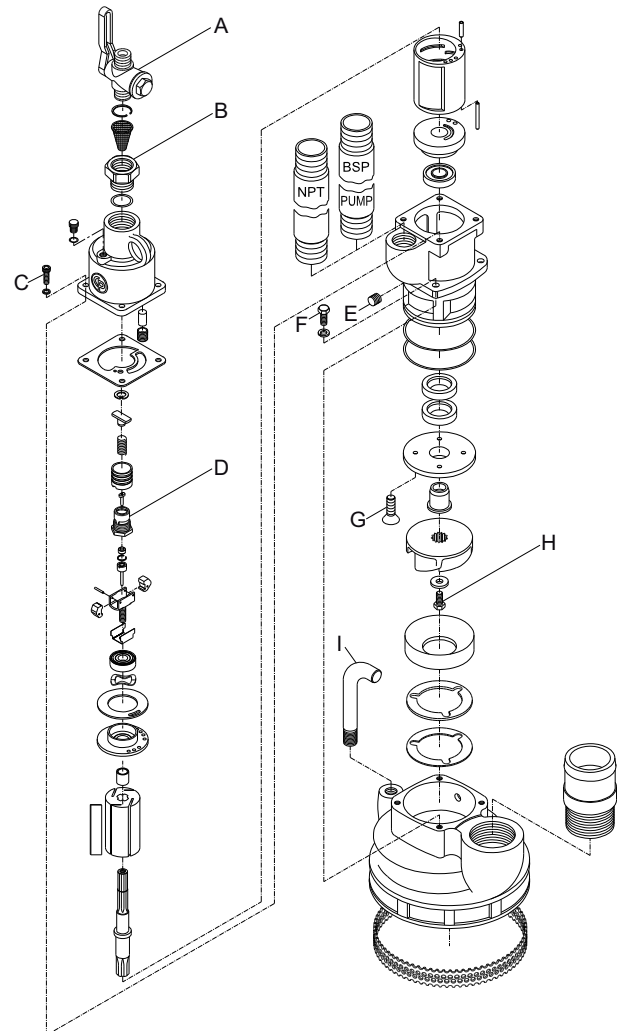
Odstępy czasowe, godziny pracy pompy

Przedmiot kontroli	Kontrola dotyczy	Co 8	Co 40	Co 400
Węże i złącza	Wycieki, uszkodzenia	X		
Filtr na wlocie	Zatkanie, uszkodzenia		X	
Złącza gwintowane	Dokręcenie		X	
Pompa, cała	-			X
Smarownica olejowa	Poziom oleju, działanie	X		
*Wnęka na smar	Poziom smaru		X	

*Patrz pod „Uwagi dotyczące demontażu i montażu”.

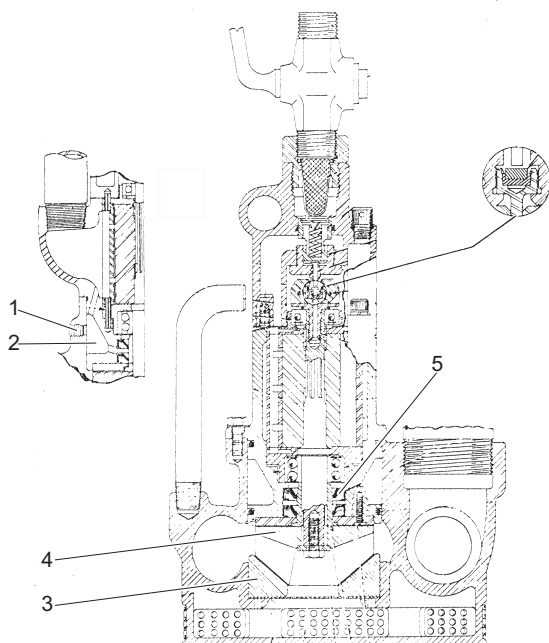
W przypadku awarii pompy, lub spadku jej wydajności, ustal i usuń przyczynę. Naprawy przeprowadzać jest najlepiej w autoryzowanym warsztacie.

Momenty dokręcania



- A. Zawór, 40-54 Nm
- B. Złączka wkrętna wlotu powietrza, 162-190 Nm
- C. Śruba, 11-14 Nm
- D. Korpus regulatora, 40-54 Nm
- E. Korek, 13-19 Nm
- F. Śruby pokrywy, 140-150 Nm
- G. Śruba, 70-80 Nm
- H. Śruba, 19-22 Nm
- I. Uchwyt, 40-54 Nm

Uwagi dotyczące demontażu i montażu



- ◆ Przy każdym demontażu pompy oczyść łożyska kulkowe i usuń stary smar ze wszystkich pozostałych części. Używając zalecanego smaru napełnij nim wszystkie łożyska i powlecz części regulatora, oraz wszystkie części między dolną płytą końcową a wirnikiem.

Usuń korek do rur (1) z obudowy pompy i napełnij wnękę na smar (2) zalecanym smarem. Nie zakładaj smarowniczek, ponieważ wnęka znalazłaby się wtedy pod ciśnieniem, które uszkodziłoby uszczelki.

UWAGA Smar do samochodowych pomp wody przeznaczony jest do pracy w środowisku wody gorącej, i jest zbyt twardy do użytku z cieczami zimnymi.

- ◆ Przy wymianie uszczelki wałka uszczelka wewnętrzna musi się opierać o występ obudowy silnika, a uszczelka zewnętrzna musi licować z tą obudową. Jeżeli wymiana uszczelki wałka spowodowana jest wyciekami, to musi się wymienić także tuleję wirnika (5).
- ◆ Przy ponownym montażu pompy, między ukośnymi powierzchniami dolnej płyty roboczej (3) i wirnika (4) powinien być luz wynoszący 0,18 do 0,30 mm (0,007 in. do 0,012 in.). Jeżeli luz przekracza 0,30 mm (0,012 in.), to dodaj podkładki o odpowiedniej grubości pod dolną płytę roboczą. Dopilnuj, aby szczeliny podkładek znalazły się naprzeciwko otworów wybitych w obudowie pompy.

- ◆ Przy montowaniu silnika w jego obudowie, górna płyta końcowa musi wystawać nad obudowę silnika na między 0,03 a 0,08 mm (0,001 in. a 0,003 in.). Jeżeli tego nie robi, dodaj odpowiednie podkładki.
- ◆ Powlecz wielowypust wałka wirnika dobrej jakości smarem zawierającym dwusiarczek molibdenu (MoS₂).
- ◆ Obudowa regulatora zamocowana jest do wirnika gwintem lewym.

Rozwiązywanie problemów

Utrata mocy i awaria silnika mogą być spowodowane przez czynniki poza pompą. Sprawdź:

- ◆ Czy ciśnienie powietrza na wlocie do pompy nie jest za niskie. Praca silnika na pełnej mocy wymaga, aby ciśnienie powietrza na wlocie do pompy wynosiło 90 psi (6,2 bar).
- ◆ Czy nie spadł wydatek sprężarki.
- ◆ Czy nie ma nadmiernych strat na drodze zasilania.
- ◆ Czy użyte węże i złącza nie mają za małych wymiarów.

Jeżeli powyższe warunki są spełnione, to poddaj po kolei kontroli następujące:

- 1) Filtr siatkowy powietrza: wyjmij, umyj i załóż z powrotem.
- 2) Smarowanie silnika: Napełnij zbiornik oleju, odłącz wąż i wlej niewielką ilość zalecanego oleju do wlotu powietrza napędu. Sprawdź, zgodnie z podanym opisem regulacji smarownicy olejowej, czy olej pojawia się na wylocie.
- 3) Wirnik: Pompa mogła ulec zablokowaniu przez żwir, który mógł się dostać między wirnik a pierścień roboczy.

Środek zaradczy:

Podnieś nieco pompę ponad powierzchnię wody, aby woda znajdująca się w węź odprowadzającym mogła spłynąć z powrotem przez pompę, co może spłukać blokujące pompy cząstki.

Jeżeli pompa nadal nie działa, zdemontuj ją i skontroluj. Patrz pod „Uwagi dotyczące demontażu i montażu”.

- 4) Oblodzenie: Oblodzenie komory wylotowej i węża wylotowego powodowane jest dostaniem się wilgoci do silnika lub komory wylotowej. Sprawdź, czy wlot powietrza i przyłącza wylotowe są wodoszczelne. Dopilnuj aby koniec rury wylotowej/węża wylotowego znajdował się w znacznie ponad powierzchnią wody.

Przechowywanie

Przygotowanie pompy do przechowywania

- > Jest ważne, aby pompa po użyciu przepłukiwana była czystą, neutralną cieczą. Jest to szczególnie ważne w wypadku, jeśli pompa używana była do pompowania kwasów, cieczy zasolonych, oraz cieczy silnie zanieczyszczonych lub chemicznie agresywnych.
- > Jeżeli pompa ma być przechowywana przez 24 godziny lub dłużej, to należy silnik pneumatyczny zabezpieczyć olejem przed korozją.
- > Wlej około 1 dl oleju antykorozyjnego bezpośrednio do wlotu powietrza pompy. Podłącz pompę do źródła sprężonego powietrza i uruchom ją na kilka sekund. Ma ona pracować na bardzo niskich obrotach, aby olej antykorozyjny został rozprowadzony wewnątrz silnika pneumatycznego.
- > Po przesmarowaniu olejem antykorozyjnym należy wlot powietrza zatkać.
- > Przy ponownym wprowadzaniu do eksploatacji pompy po jej magazynowaniu, przed uruchomieniem wlej nieco oleju bezpośrednio do wlotu powietrza.

Utylizacja

Zużytą maszynę należy oddać do kasacji postępując z nią przy tym w sposób, który pozwoli na odzyskanie z niej jak największej części surowców wtórnych przy jednoczesnej minimalizacji ujemnego wpływu na środowisko.

Parametry techniczne

Parametry techniczne urządzenia

Typ	Masa lb (kg)	Wysokość in. (mm)	Długość in. (mm)	Szerokość in. (mm)	Zużycie powietrza (6 bar) cfm (l/s)
CP 0010	33 (15)	17½ (445)	8¼ (210)	9 (229)	100 (47)

Typ	Wlot cieczy	Wylot cieczy in.	Wlot powietrza in. (mm)	Wylot powietrza in. (mm)
CP 0010	-	2	¾, NPT (20)	1, NPT (25)

Deklaracja emisji hałasu

Gwarantowany poziom mocy akustycznej **L_w** wg EN ISO 3744 zgodnie z dyrektywą 2000/14/WE.

Poziom ciśnienia akustycznego **L_p** wg EN ISO 11203.

Niniejsze wartości deklarowane, które zostały uzyskane w testach laboratoryjnych wykonanych według podanych dyrektyw lub norm, są przydatne do porównania z wartościami deklarowanymi dla innych narzędzi testowanych według tych samych dyrektyw lub norm. Te deklarowane wartości nie nadają się do oceny ryzyka, a wartości zmierzone w poszczególnych miejscach pracy mogą być wyższe. Rzeczywiste wartości ekspozycji i ryzyka związanego z narażeniem konkretnego operatora są unikalne i zależą od jego sposobu pracy, materiału do jakiego wykorzystuje maszynę, a także od czasu ekspozycji i stanu fizycznego operatora oraz stanu maszyny. Firma Construction Tools PC AB nie może być pociągana do odpowiedzialności za konsekwencje wynikające z zastosowania zadeklarowanych wartości, zamiast wartości rzeczywistych, w konkretnej ocenie ryzyka na stanowisku pracy, nad którym nie mamy kontroli.

Dane dotyczące hałasu

Typ	Hałas	
	Deklarowane wartości	
	EN ISO 11203	2000/14/WE
	L_p r=1m dB(A) rel 20µPa	L_w gwarantowane dB(A) rel 1pW
CP 0010	109	122

Deklaracja zgodności WE

Deklaracja zgodności WE (Dyrektywa WE 2006/42/WE)

My, Construction Tools PC AB, niniejszym oświadczamy, że wymienione poniżej maszyny spełniają wymogi dyrektyw WE 2006/42/WE (Dyrektywa maszynowa) i 2000/14/WE (Dyrektywa dotycząca emisji hałasu), oraz wymienionych poniżej norm zharmonizowanych.

Pompy wirowe	Gwarantowany poziom mocy akustycznej [dB(A)]	Zmierzony poziom mocy akustycznej [dB(A)]	Pmax (bar)
CP 0010	122	120	6.2

Zastosowane zostały następujące normy zharmonizowane:

- ◆ EN 809:1998

Zastosowane zostały następujące inne normy:

- ◆ 2000/14/EC, Appendix V

Autoryzacja dokumentacji technicznej:

Per Forsberg
Construction Tools PC AB
Dragonvägen 2
Kalmar

Zastępca dyrektora ds. prac konstrukcyjnych i rozwojowych:

Erik Sigfridsson

Producent:

Construction Tools PC AB
BOX 703
391 27 Kalmar
Sweden

Miejsce i data:

Kalmar, 2014-12-09



**Chicago
Pneumatic**