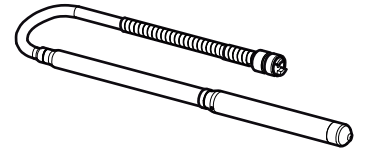


Spare parts list

Poker vibrators

	Valid from serial number
AA 27 Dynapac coupling	FRO015904
AA 27 Australian coupling	FRO015904
AA 37 Dynapac coupling	FRO015904
AA 37 Australian coupling	FRO015904
AA 47 Dynapac coupling	FRO015904
AA 47 Australian coupling	FRO015904
AA 67 Dynapac coupling	FRO015904
AA 67 Australian coupling	FRO015904
AA 77 Dynapac coupling	FRO015904
AA 77 Australian coupling	FRO015904



Contents

General information.....	5
Spare parts list.....	6
AA 27.....	6
AA 37.....	8
AA 47.....	10
AA 67.....	12
AA 77.....	14
Kits.....	16
Dynapac coupling kit.....	16
Australian coupling kit.....	17
Service kit.....	18

General information

This spare parts list applies to the following:

Part number	Description
4812 0508 00	Mechanical pokers AA 27 Dynapac coupling
4812 0511 69	Mechanical pokers AA 27 Australian coupling
4812 0508 01	Mechanical pokers AA 37 Dynapac coupling
4812 0511 70	Mechanical pokers AA 37 Australian coupling
4812 0508 02	Mechanical pokers AA 47 Dynapac coupling
4812 0511 71	Mechanical pokers AA 47 Australian coupling
4812 0508 03	Mechanical pokers AA 67 Dynapac coupling
4812 0511 72	Mechanical pokers AA 67 Australian coupling
4812 0508 04	Mechanical pokers AA 77 Dynapac coupling
4812 0511 73	Mechanical pokers AA 77 Australian coupling

Use only authorized parts. Any damage or malfunction caused by the use of unauthorized parts is not covered by Warranty or Product Liability. Any unauthorized use or copying of the contents or any part thereof is prohibited. This applies in particular to trademarks, model denominations, part numbers, and drawings.

Instructions for use

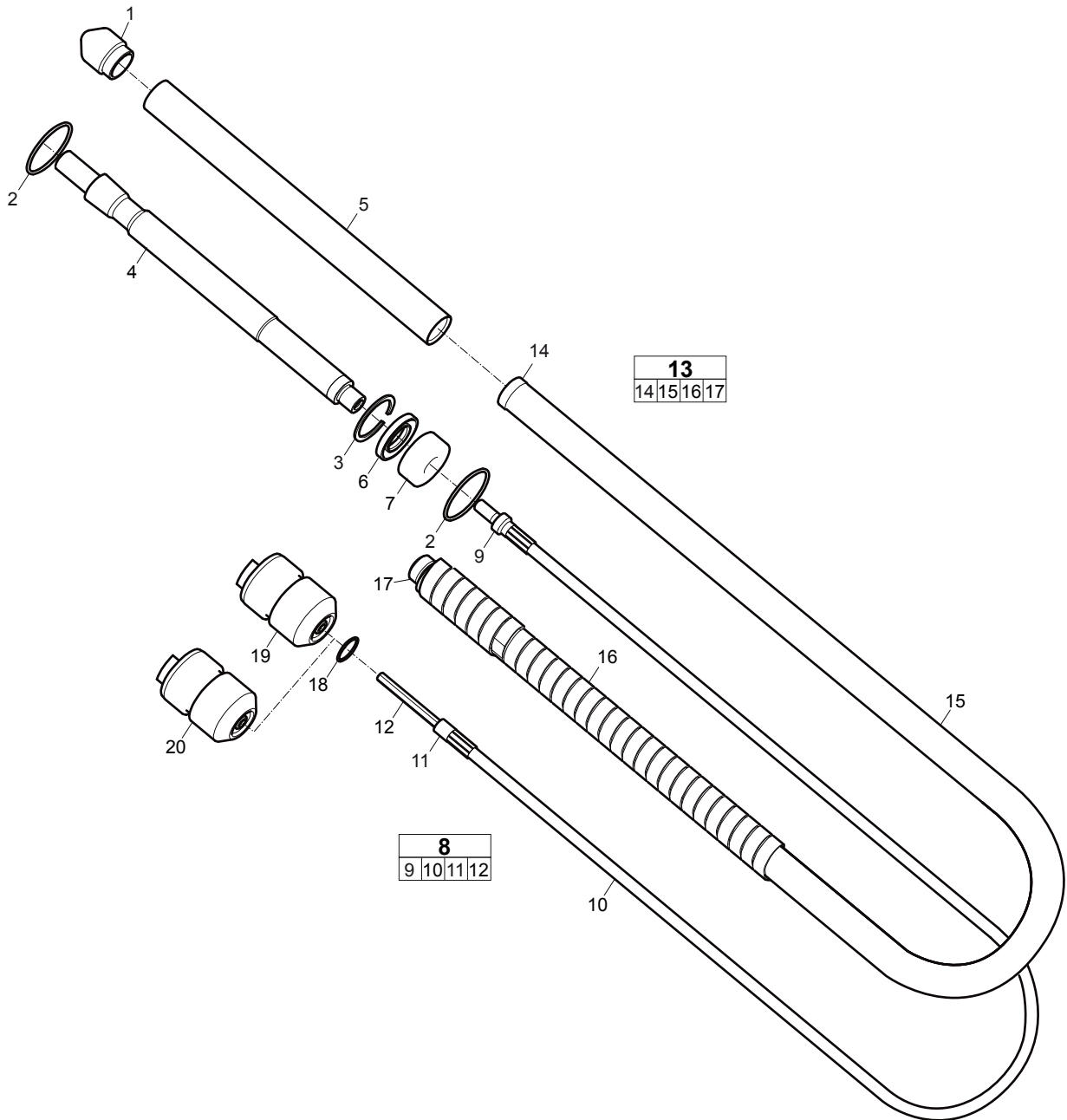
This spare parts list contains no safety regulations and is merely intended to assist in the ordering of spare parts.

For information about operating, servicing, or repairing, the relevant Safety and operating instructions must be consulted at all costs.

Please observe the safety instructions listed in the relevant Safety and operating instructions!

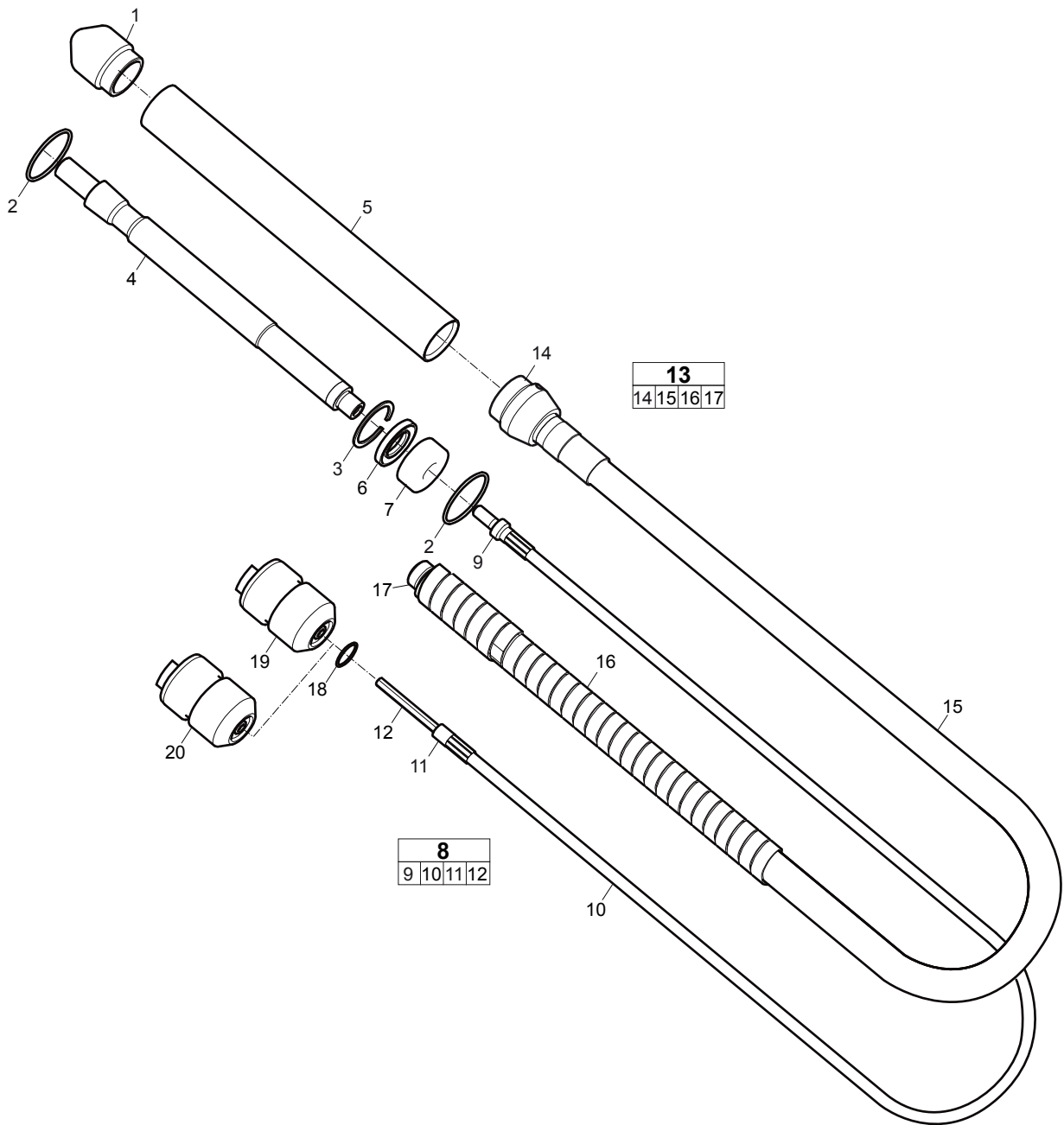
Spare parts list

AA 27



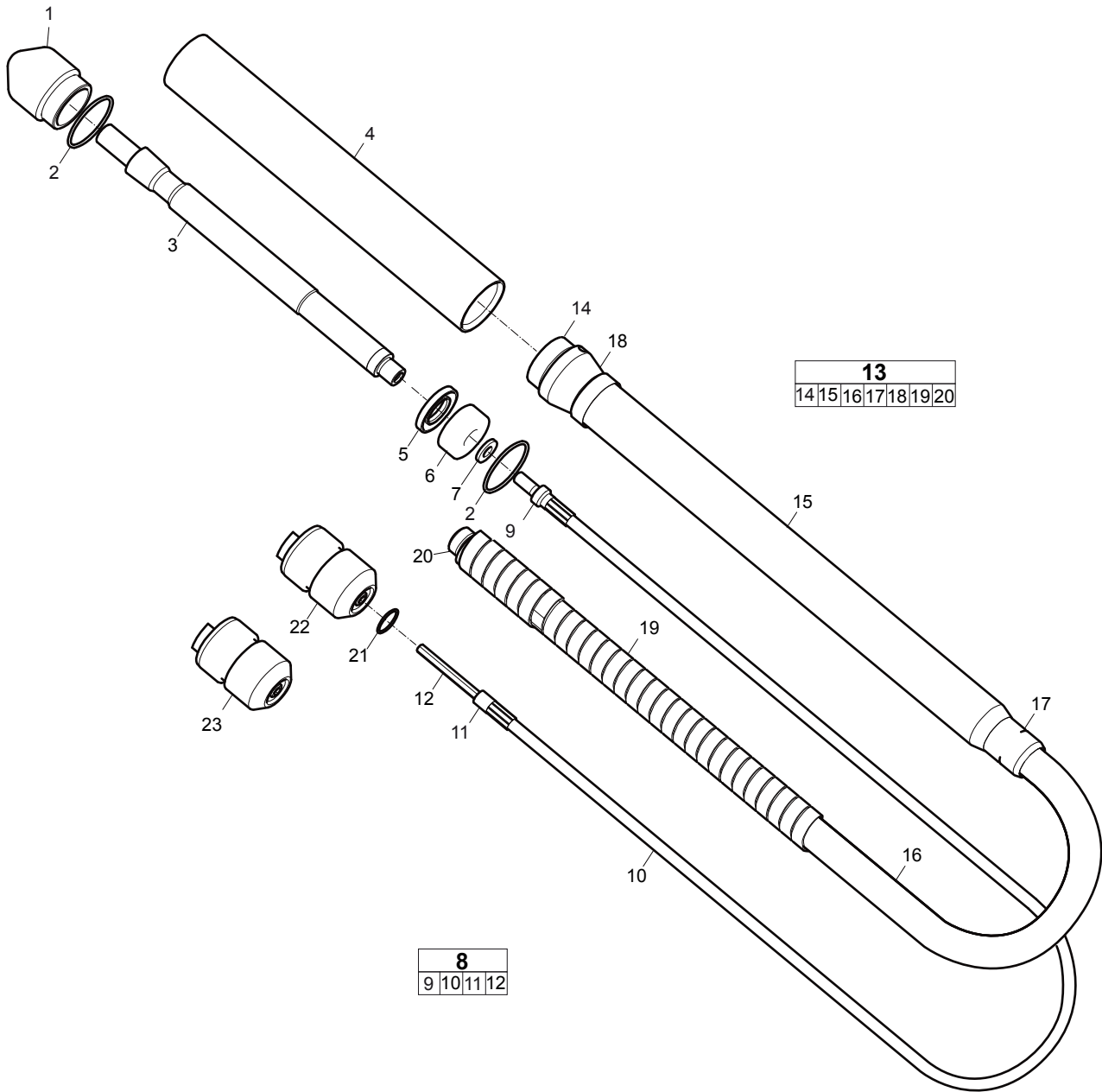
No.	Description	Remark	Quantity	Part number
1	End cap		1	4700 3681 14
2	O-ring	Ø14.1 x 1.6 mm Ø0.56 x 0.06 in. NBR (70 shore)	2	-
3	Retainer ring	Ø19x1 mm Ø0.75 x 0.04 in. DIN472	1	-
4	Vibrator shaft		1	4700 3681 18
5	Tube		1	4700 3681 15
6	Seal ring		1	4700 1845 60
7	Bearing		1	4700 1850 86
8(9-12)	Flexible shaft, complete		1	4700 3681 19
9	Nipple		1	4700 3623 25
10	Flexible shaft		1	4700 7006 22
11	Nipple		1	4700 3623 26
12	Pin	Hexagon	1	4700 3622 17
13(14-17)	Cover, complete		1	4700 3681 20
14	End shank		1	4700 3681 21
15	Cover		1	4700 3681 22
16	Stiffener		1	4700 3672 40
17	End shank		1	4700 3623 24
18	O-ring	Ø25 x 2 mm Ø0.98 x 0.08 in. NBR (70 shore)	1	4700 1601 36
19	Coupling	Dynapac version	1	4700 3627 40
20	Coupling	Australian version	1	4700 7013 75

AA 37



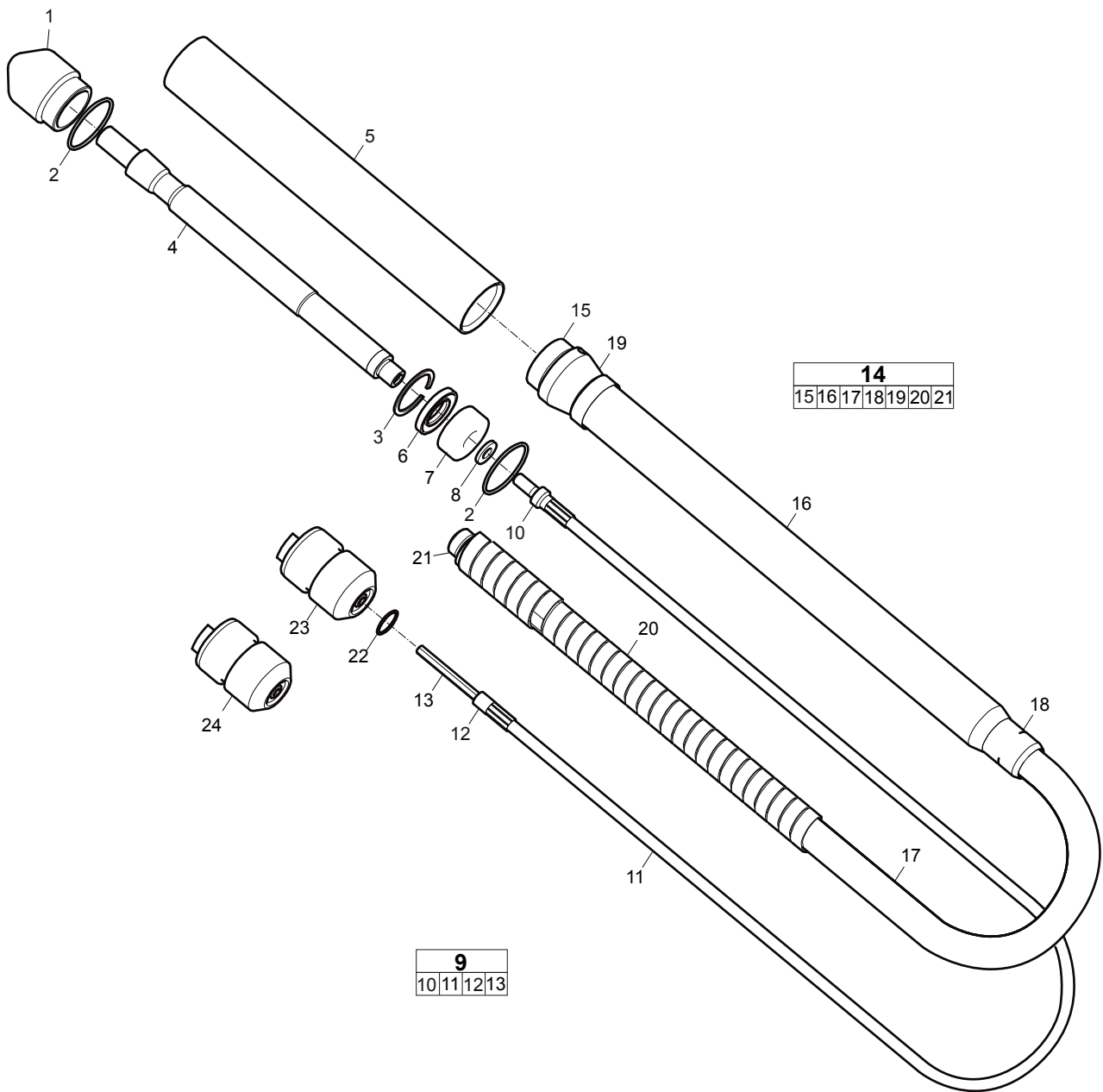
No.	Description	Remark	Quantity	Part number
1	End cap		1	4700 3681 23
2	O-ring	Ø28 x 2 mm Ø1.10 x 0.08 in. NBR (70 shore)	2	-
3	Retainer ring	Ø30 x 1.2 mm Ø1.18 x 0.05 in. DIN472	1	-
4	Vibrator shaft		1	4700 3681 27
5	Tube		1	4700 3681 24
6	Seal ring		1	4700 3681 33
7	Bearing		1	4700 1866 64
8(9-12)	Flexible shaft, complete		1	4700 3681 28
9	Nipple		1	4700 3681 29
10	Flexible shaft		1	4700 7003 55
11	Nipple		1	4700 3631 54
12	Pin	Hexagon	1	4700 3622 17
13(14-17)	Cover, complete		1	4700 3681 30
14	End shank		1	4700 3681 31
15	Cover		1	4700 3681 32
16	Stiffener		1	4700 3672 41
17	End shank		1	4700 3631 56
18	O-ring	Ø25 x 2 mm Ø0.98 x 0.08 in. NBR (70 shore)	1	4700 1601 36
19	Coupling	Dynapac version	1	4700 3627 40
20	Coupling	Australian version	1	4700 7013 75

AA 47



No.	Description	Remark	Quantity	Part number
1	End cap		1	4700 3681 34
2	O-ring	Ø36.2 x 3 mm Ø1.43 x 0.12 in. NBR (70 shore)	2	-
3	Vibrator shaft		1	4700 3681 37
4	Tube		1	4700 3681 35
5	Seal ring		1	4700 3681 44
6	Bearing		1	4700 3681 43
7	Washer		1	4700 1108 78
8(9-12)	Flexible shaft, complete		1	4700 3681 38
9	Nipple		1	4700 3631 53
10	Flexible shaft		1	4700 7003 55
11	Nipple		1	4700 3631 54
12	Pin	Hexagon	1	4700 3622 17
13(14-20)	Cover, complete		1	4700 3681 39
14	End shank		1	4700 3681 40
15	Stiffener		1	4700 3681 42
16	Cover		1	4700 3681 32
17	Sleeve		1	4700 7007 94
18	Clamp		1	4700 1843 53
19	Stiffener		1	4700 3672 41
20	End shank		1	4700 3631 56
21	O-ring	Ø25 x 2 mm Ø0.98 x 0.08 in. NBR (70 shore)	1	4700 1601 36
22	Coupling	Dynapac version	1	4700 3627 40
23	Coupling	Australian version	1	4700 7013 75

AA 67

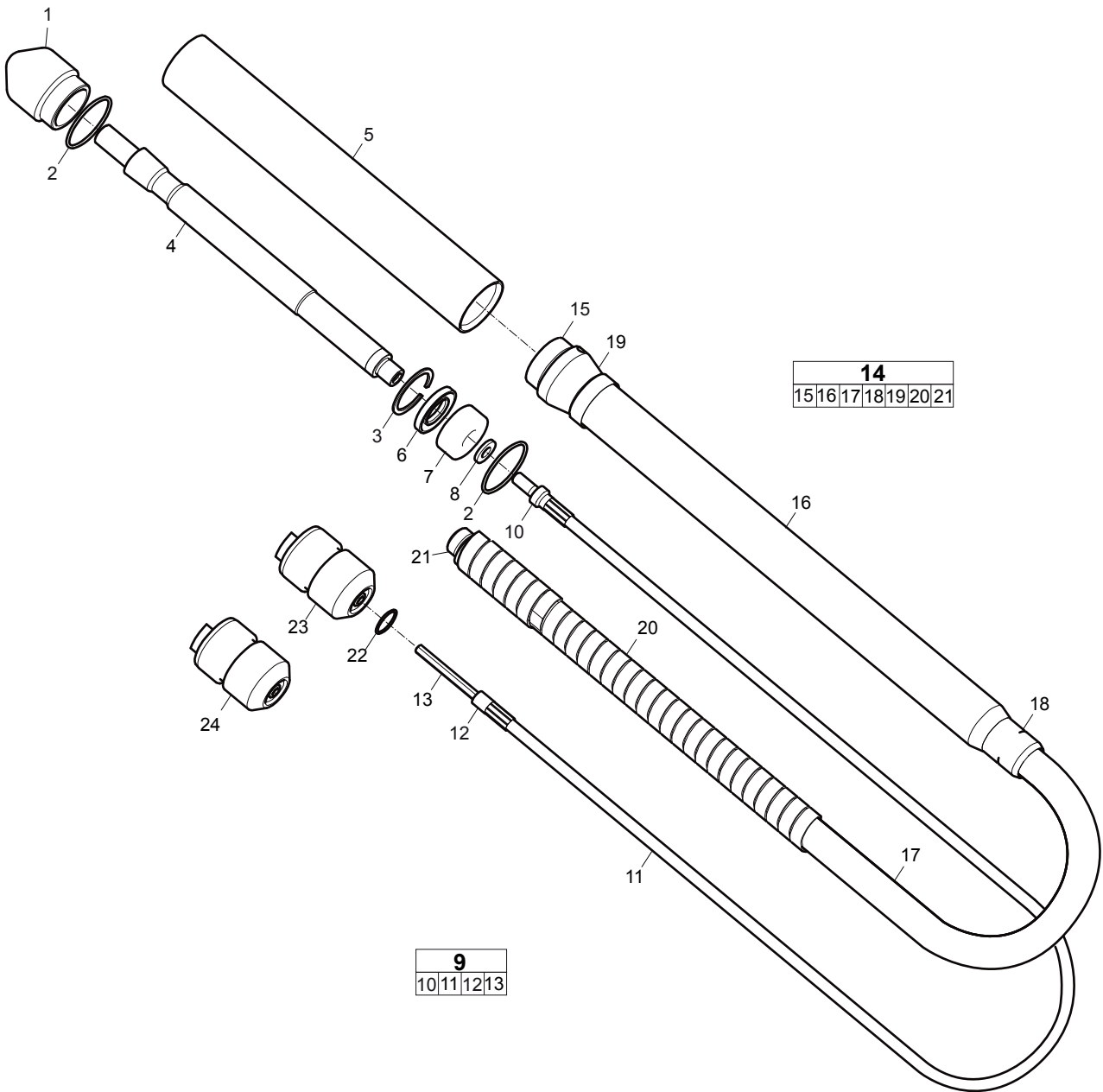


14						
15	16	17	18	19	20	21

9			
10	11	12	13

No.	Description	Remark	Quantity	Part number
1	End cap		1	4700 3681 45
2	O-ring	Ø49.5 x 3 mm Ø1.95 x 0.12 in. NBR (70 shore)	2	-
3	Retainer ring	Ø52 x 2 mm Ø2.05 x 0.08 in. DIN472	1	-
4	Vibrator shaft		1	4700 3681 50
5	Tube		1	4700 3681 46
6	Seal ring		1	4700 3681 56
7	Bearing		1	4700 3681 55
8	Washer		1	4700 3681 49
9(10-13)	Flexible shaft, complete		1	4700 3681 51
10	Nipple		1	4700 7009 66
11	Flexible shaft		1	4700 3681 52
12	Nipple		1	4700 3631 54
13	Pin	Hexagon	1	4700 3622 17
14(15-21)	Cover, complete		1	4700 3681 53
15	End shank		1	4700 3681 54
16	Stiffener		1	4700 3681 42
17	Cover		1	4700 3681 32
18	Sleeve		1	4700 7007 94
19	Clamp		1	4700 1854 58
20	Stiffener		1	4700 3682 41
21	End shank		1	4700 3631 56
22	O-ring	Ø25 x 2 mm Ø0.98 x 0.08 in. NBR (70 shore)	1	4700 1601 36
23	Coupling	Dynapac version	1	4700 3627 40
24	Coupling	Australian version	1	4700 7013 75

AA 77



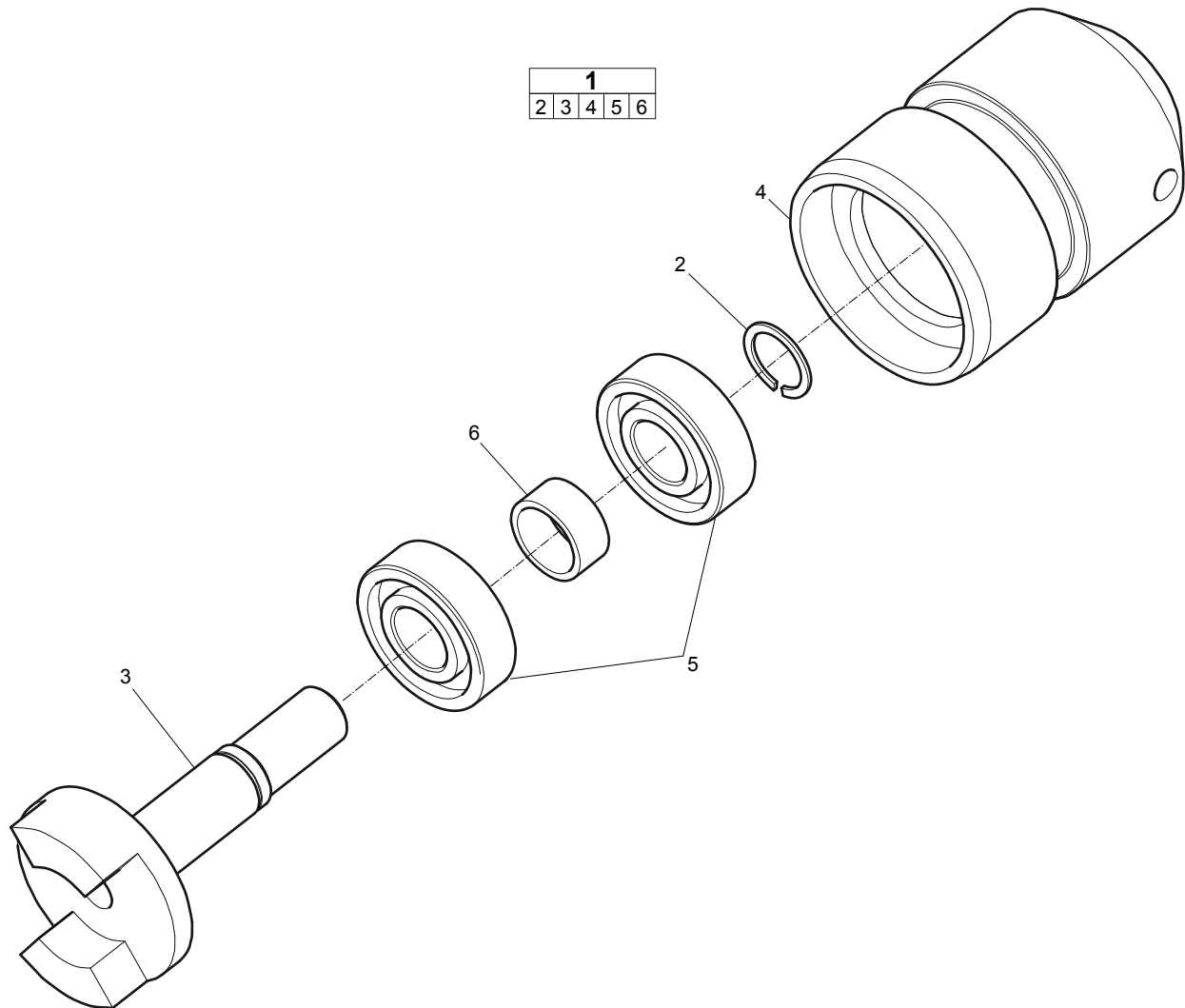
14						
15	16	17	18	19	20	21

9			
10	11	12	13

No.	Description	Remark	Quantity	Part number
1	End cap		1	4700 3681 57
2	O-ring	Ø59.5 x 3 mm Ø2.34 x 0.12 in. NBR (70 shore)	2	-
3	Retainer ring	Ø62 x 2 mm Ø2.44 x 0.08 in. DIN472	1	-
4	Vibrator shaft		1	4700 3681 62
5	Tube		1	4700 3681 58
6	Seal ring		1	4700 3681 66
7	Bearing		1	4700 3681 65
8	Washer		1	4700 3681 61
9(10-13)	Flexible shaft, complete		1	4700 3681 51
10	Nipple		1	4700 7009 66
11	Flexible shaft		1	4700 3681 52
12	Nipple		1	4700 3631 54
13	Pin	Hexagon	1	4700 3622 17
14(15-21)	Cover, complete		1	4700 3681 63
15	End shank		1	4700 3681 64
16	Stiffener		1	4700 3681 42
17	Cover		1	4700 3681 32
18	Sleeve		1	4700 7007 94
19	Clamp		1	4700 1854 58
20	Stiffener		1	4700 3682 41
21	End shank		1	4700 3631 56
22	O-ring	Ø25 x 2 mm Ø0.98 x 0.08 in. NBR (70 shore)	1	4700 1601 36
23	Coupling	Dynapac version	1	4700 3627 40
24	Coupling	Australian version	1	4700 7013 75

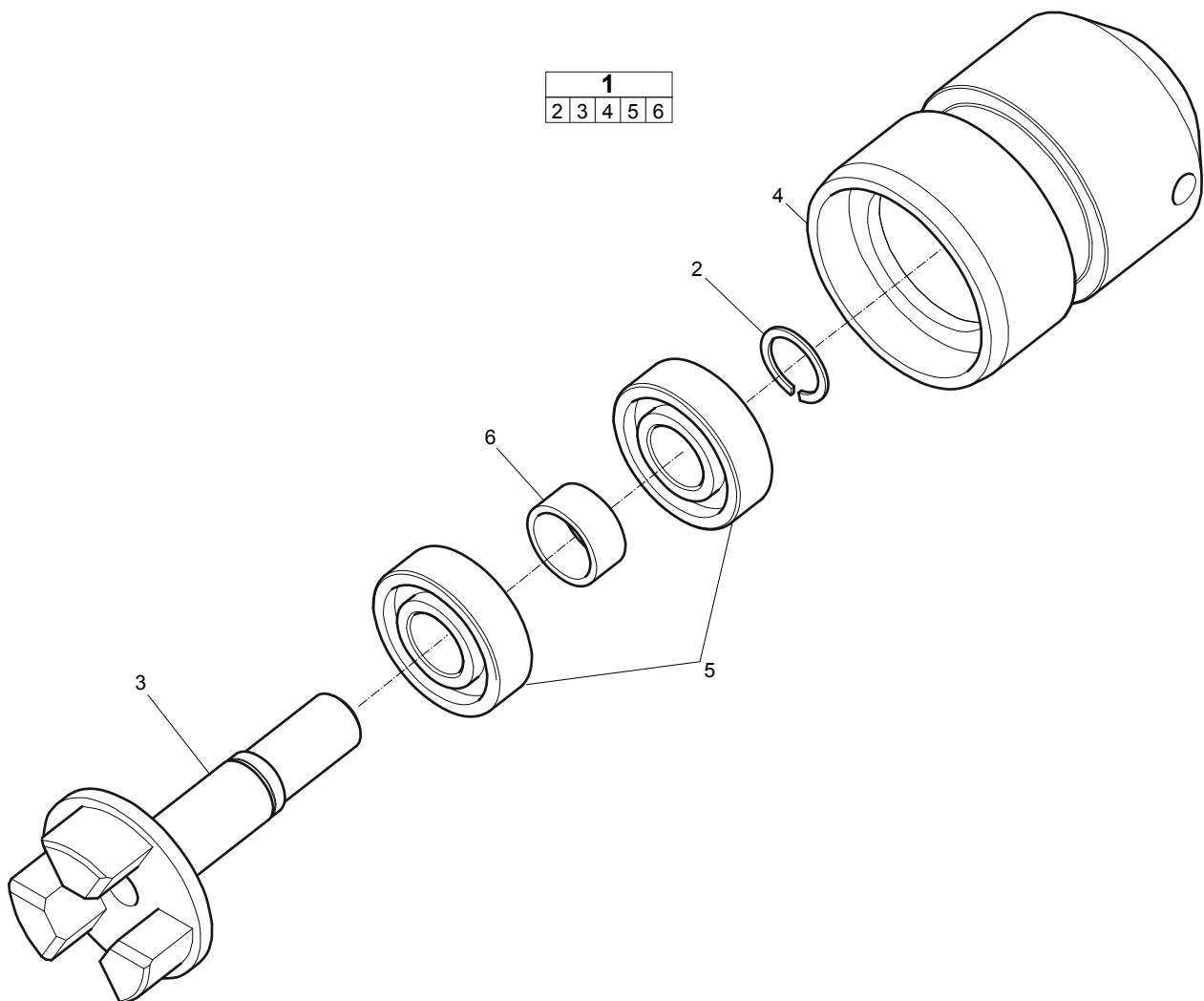
Kits

Dynapac coupling kit



No.	Description	Remark	Quantity	Part number
1(2-6)	Dynapac coupling kit		1	4700 3627 40
2	Retainer ring	Ø17 x 1 mm Ø0.67 x 0.04 mm DIN471	1	-
3	Shaft		1	4700 3661 54
4	Body		1	4700 3661 55
5	Bearing		2	4700 3661 56
6	Spacer		1	4700 7003 57

Australian coupling kit



No.	Description	Remark	Quantity	Part number
1(2-6)	Australian coupling kit		1	4812 0512 21
2	Retainer ring	Ø17 x 1 mm Ø0.67 x 0.04 in. DIN471	1	-
3	Shaft		1	4812 0512 22
4	Body		1	4812 0512 23
5	Bearing		2	4700 3661 56
6	Spacer		1	4700 7003 57

Service kit

AA 27 service kit

Part number 4700 3681 75

Description	Remark	Quantity	Part number
O-ring	Ø14.1 x 1.6 mm Ø0.56 x 0.06 in. NBR (70 shore)	2	4700 1603 06
Seal ring		1	4700 1845 60
Bearing		1	4700 1850 86
O-ring	Ø25 x 2 mm Ø0.98 x 0.08 in. NBR (70 shore)	1	4700 1601 36

AA 37 service kit

Part number 4700 3681 76

Description	Remark	Quantity	Part number
O-ring	Ø28 x 2 mm Ø1.10 x 0.08 in. NBR (70 shore)	2	4700 1603 16
Seal ring		1	4700 3681 33
Bearing		1	4700 1866 64
O-ring	Ø25 x 2 mm Ø0.98 x 0.08 in. NBR (70 shore)	1	4700 1601 36

AA 47 service kit

Part number 4700 3681 77

Description	Remark	Quantity	Part number
O-ring	Ø36.2 x 3 mm Ø1.43 x 0.12 in. NBR (70 shore)	2	4700 1600 16
Seal ring		1	4700 3681 44
Bearing		1	4700 1866 43
O-ring	Ø25 x 2 mm Ø0.98 x 0.08 in. NBR (70 shore)	1	4700 1601 36

AA 67 service kit

Part number 4700 3681 78

Description	Remark	Quantity	Part number
O-ring	Ø49.5 x 3 mm Ø1.95 x 0.12 in. NBR (70 shore)	2	4700 1600 23
Seal ring		1	4700 3681 56
Bearing		1	4700 3681 55
O-ring	Ø25 x 2 mm Ø0.98 x 0.08 in. NBR (70 shore)	1	4700 1601 36

AA 77 service kit

Part number 4700 3681 79

Description	Remark	Quantity	Part number
O-ring	Ø59.5 x 3 mm Ø2.34 x 0.12 in. NBR (70 shore)	2	4700 1600 26
Seal ring		1	4700 3681 66
Bearing		1	4700 3681 65
O-ring	Ø25 x 2 mm Ø0.98 x 0.08 in. NBR (70 shore)	1	4700 1601 36

Any unauthorized use or copying of the contents or any part thereof is prohibited.
This applies in particular to trademarks, model denominations, part numbers, and
drawings.

© 2011 Atlas Copco Construction Tools AB | No. 9800 1162 01a | 2011-08-17

Atlas Copco

www.atlascopco.com